

March 19, 2024
Public Meeting

The current proposal is:

Preservation Department – Item 2, LPC-24-03142

420 Amsterdam Avenue – Upper West Side/Central Park

West Historic District

Borough of Manhattan

To testify virtually, please join Zoom

Webinar ID: 863 9606 8609

Passcode: 648010

By Phone: 1 646-558-8656 US (New
York) 877-853-5257 (Toll free) US
888 475 4499 (Toll free)

Note: If you want to testify virtually on an item, join the Zoom webinar at the agenda's "Be Here by" time (about an hour in advance). When the Chair indicates it's time to testify, "raise your hand" via the Zoom app if you want to speak (*9 on the phone). Those who signed up in advance will be called first.

420 AMSTERDAM AVE

NEW YORK, NY 10024

SCOPE OF WORK: INSTALLATION OF ENCLOSED AREAWAY - CORRECTION TO VIOLATION 17/0371



11 PARK PLACE SUITE 816
NEW YORK, NY 10007
PHONE: 212-692-7555

190 EAST MAIN STREET
HUNTINGTON, NY 11743
PHONE: 631-424-8480 FAX: 631-547-4193

PROJECT

420 AMSTERDAM
AVE

NEW YORK, NY, 10024

MEP ENGINEER
NAME:
ADDRESS:
CITY:
STATE:
ZIP:
TEL:
E-MAIL:

STRUCTURAL ENGINEER
NAME:
ADDRESS:
CITY:
STATE:
ZIP:
TEL:

SPECIAL INSPECTOR:
NAME:
ADDRESS:
CITY:
STATE:
ZIP:
TEL:
E-MAIL:

REVISIONS:

DOB B-SCAN
JOB #

DRAWING TITLE / INFORMATION:

COVER SHEET

SEAL & SIGNATURE:

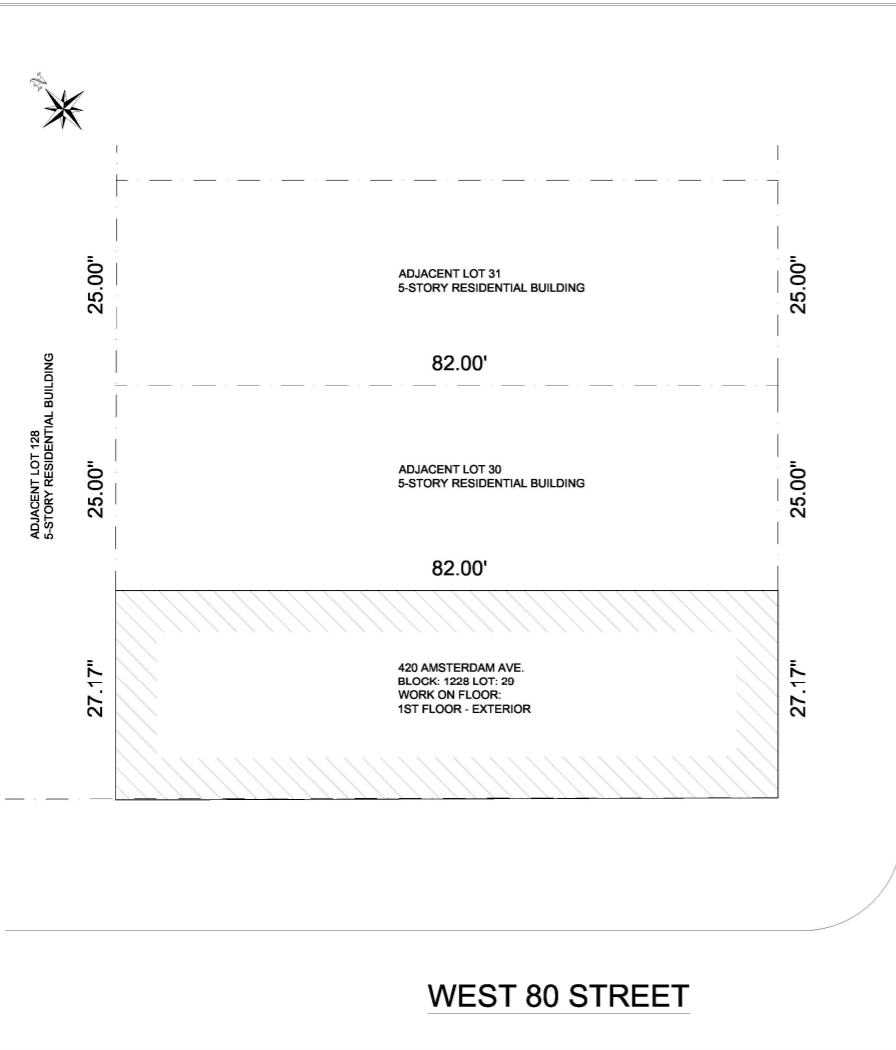


DATE: 02-09-2024
DWG No:

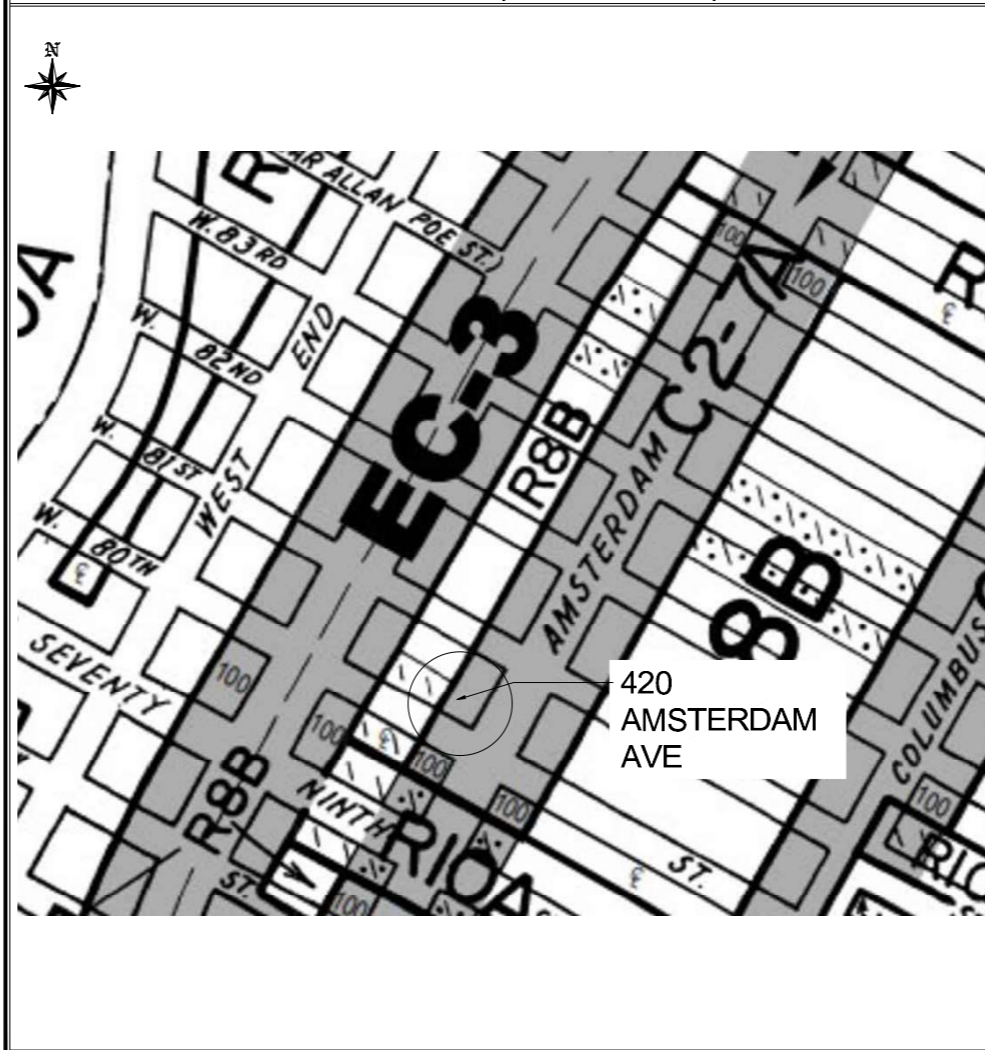
T-001.00

SHEET 01 OF 12

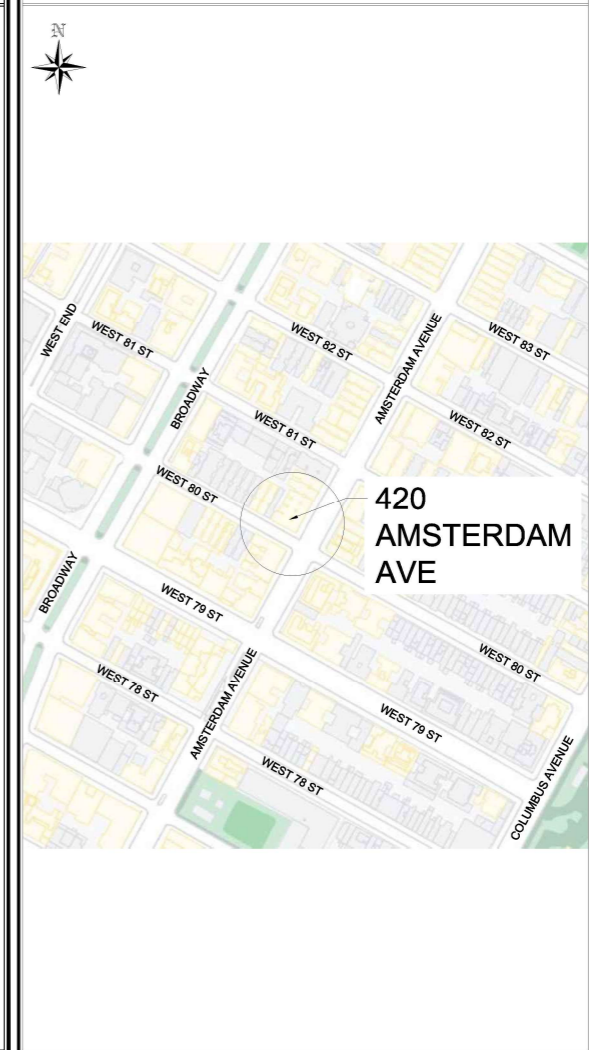
PLOT PLAN



ZONING MAP (SCALE: N.T.S.)



LOCATION MAP (SCALE: N.T.S.)



420 AMSTERDAM
AVE

NEW YORK, NY, 10024

MEP ENGINEER
NAME:
ADDRESS:
CITY:
STATE:
ZIP:
TEL:
EMAIL:

STRUCTURAL ENGINEER
NAME:
ADDRESS:
CITY:
STATE:
ZIP:
TEL:

SPECIAL INSPECTOR:
NAME:
ADDRESS:
CITY:
STATE:
ZIP:
TEL:
EMAIL:

REVISIONS:

DOB B-SCAN
JOB #

DRAWING TITLE / INFORMATION:

REFERENCE
PHOTOS

SEAL & SIGNATURE:



DATE: 02-09-2024
DWG No.:

A-001.00

SHEET 02 OF 12



1 1940 TAX PHOTO
A-001 SCALE: N/A



2 1980 TAX PHOTO
A-001 SCALE: N/A



1 1980 TAX PHOTO
A-002 SCALE: N/A



2 1980 TAX PHOTO
A-002 SCALE: N/A



3 LANDMARK DESIGNATION PHOTOS
A-002 SCALE: N/A



11 PARK PLACE SUITE 816
NEW YORK, NY 10007
PHONE: 212-693-7566

190 EAST MAIN STREET
HUNTINGTON, NY 11743
PHONE: 631-424-8480 FAX: 631-547-4193

PROJECT

420 AMSTERDAM
AVE

NEW YORK, NY, 10024

MEP ENGINEER
NAME:
ADDRESS:
CITY:
STATE:
ZIP:
TEL:
EMAIL:

STRUCTURAL ENGINEER
NAME:
ADDRESS:
CITY:
STATE:
ZIP:
TEL:

SPECIAL INSPECTOR:
NAME:
ADDRESS:
CITY:
STATE:
ZIP:
TEL:
EMAIL:

REVISIONS:

DOB B-SCAN
JOB #

DRAWING TITLE / INFORMATION:

REFERENCE
PHOTOS

SEAL & SIGNATURE:



DATE: 02-09-2024
DWG No.:

A-002.00

SHEET 03 OF 12



1 EXISTING CONDITIONS - AMSTERDAM AVENUE FACADE
A-003 SCALE: NA



2 EXISTING CONDITIONS - CORNER OF 80TH & AMSTERDAM FACADE
A-003 SCALE: NA



3 EXISTING CONDITIONS - 80TH STREET FACADE
A-003 SCALE: NA

LEGEND	
A	ENCLOSED AREAWAY WITH REPLACEMENT OF FENCE AND INSTALLATION OF A GARBAGE BINS ON CASTERS





1 ENCLOSED AREAWAY - 80TH ST
A-004 SCALE: NA



2 ENCLOSED AREAWAY - 80TH ST
A-004 SCALE: NA



1 TRASH ENCLOSURE - 80TH ST
A-005 SCALE: N/A



2 TRASH ENCLOSURE - 80TH ST
A-005 SCALE: N/A



3 REPLACEMENT FENCE - 80TH ST.
A-005 SCALE: N/A



11 PARK PLACE SUITE 816
NEW YORK, NY 10007
PHONE: 212-693-7566

190 EAST MAIN STREET
HUNTINGTON, NY 11743
PHONE: 631-424-8480 FAX: 631-547-4193

PROJECT

420 AMSTERDAM
AVE

NEW YORK, NY, 10024

MEP ENGINEER
NAME:
ADDRESS:
CITY:
STATE:
ZIP:
TEL:
EMAIL:

STRUCTURAL ENGINEER
NAME:
ADDRESS:
CITY:
STATE:
ZIP:
TEL:

SPECIAL INSPECTOR:
NAME:
ADDRESS:
CITY:
STATE:
ZIP:
TEL:
EMAIL:

REVISIONS:

DOB B-SCAN
JOB #

DRAWING TITLE / INFORMATION:

CLOSE UP
PHOTOS

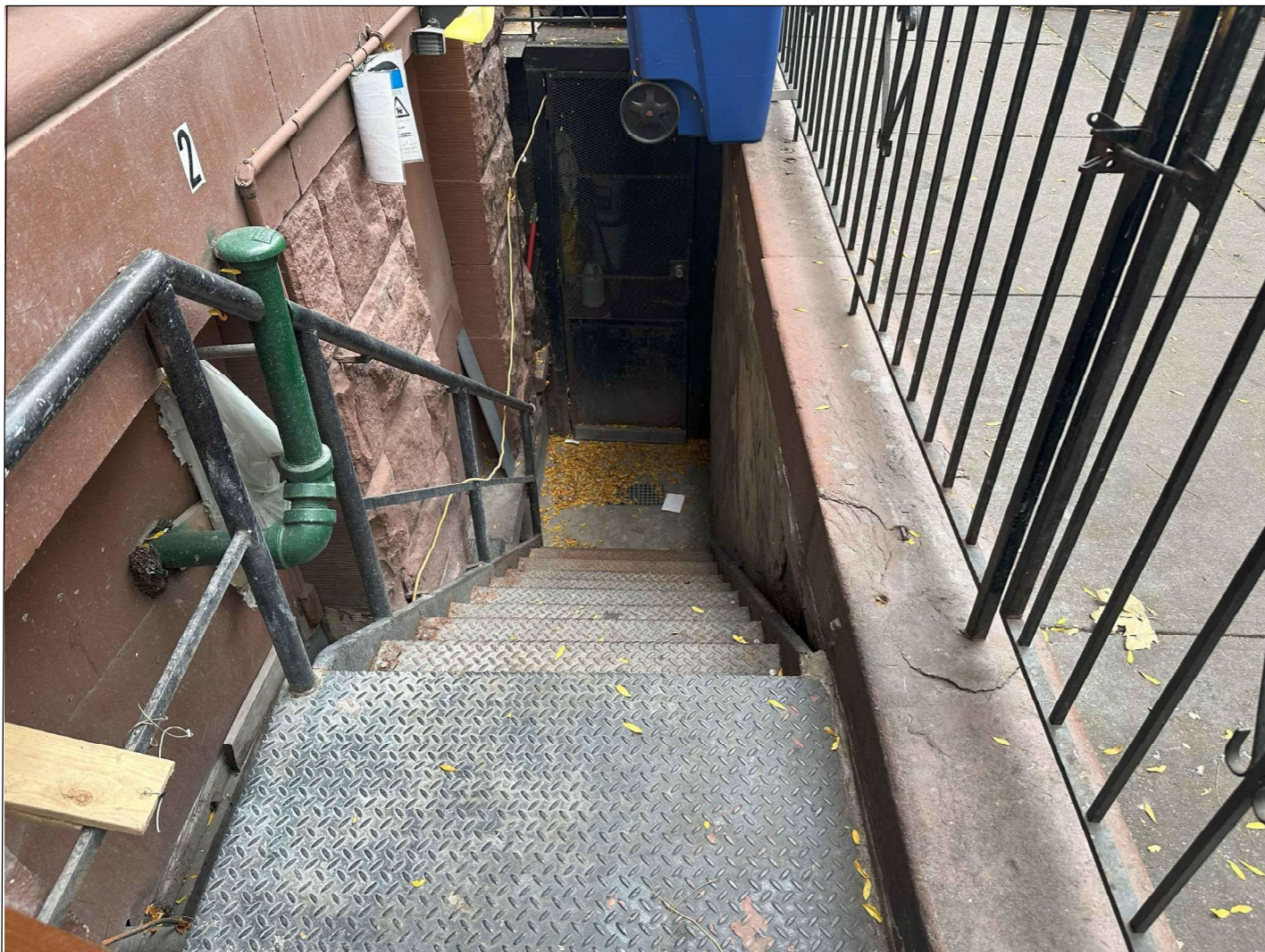
SEAL & SIGNATURE:



DATE: 02-09-2024
DWG No.:

A-005.00

SHEET 06 OF 12



1 AREAWAY ACCESS - 80TH ST
A-005 SCALE: NA



2 AREAWAY ACCESS - 80TH ST
A-005 SCALE: NA

420 AMSTERDAM
AVE

NEW YORK, NY, 10024

MEP ENGINEER
NAME:
ADDRESS:
CITY:
STATE:
ZIP:
TEL:
EMAIL:

STRUCTURAL ENGINEER
NAME:
ADDRESS:
CITY:
STATE:
ZIP:
TEL:
EMAIL:

SPECIAL INSPECTOR:
NAME:
ADDRESS:
CITY:
STATE:
ZIP:
TEL:
EMAIL:

REVISIONS:

DOB B-SCAN
JOB #

DRAWING TITLE / INFORMATION:

NEIGHBOR
REFERENCES

SEAL & SIGNATURE:



DATE: 02-09-2024
DWG No.:

A-007.00

SHEET 08 OF 12



1 NEIGHBOR REFERENCE - 161 W 80TH ST, NY
A-006 SCALE: N/A



2 NEIGHBOR REFERENCE - 211 W 80TH ST, NY
A-006 SCALE: N/A



3 NEIGHBOR REFERENCE - 208 W 80TH ST, NY
A-004 SCALE: N/A



4 NEIGHBOR REFERENCE - 165 W 80TH ST, NY
A-004 SCALE: N/A



5 NEIGHBOR REFERENCE - 159 W 80TH ST, NY
A-004 SCALE: N/A



11 PARK PLACE SUITE 816
NEW YORK, NY 10007
PHONE: 212-693-2756

190 EAST MAIN STREET
HUNTINGTON, NY 11743
PHONE: 631-424-8480 FAX: 631-547-4193

PROJECT

420 AMSTERDAM
AVE

NEW YORK, NY, 10024

MEP ENGINEER
NAME:
ADDRESS:
CITY:
STATE:
ZIP:
TEL:
EMAIL:

STRUCTURAL ENGINEER
NAME:
ADDRESS:
CITY:
STATE:
ZIP:
TEL:

SPECIAL INSPECTOR:
NAME:
ADDRESS:
CITY:
STATE:
ZIP:
TEL:
EMAIL:

REVISIONS:

DOB B-SCAN
JOB #

DRAWING TITLE / INFORMATION:

NEIGHBOR
REFERENCES

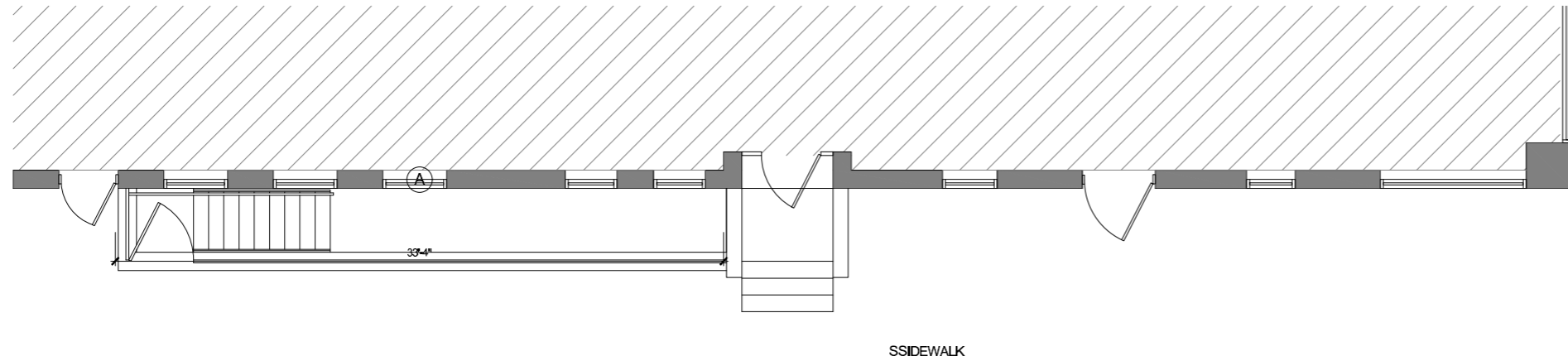
SEAL & SIGNATURE:



DATE: 02-09-2024
DWG No.:

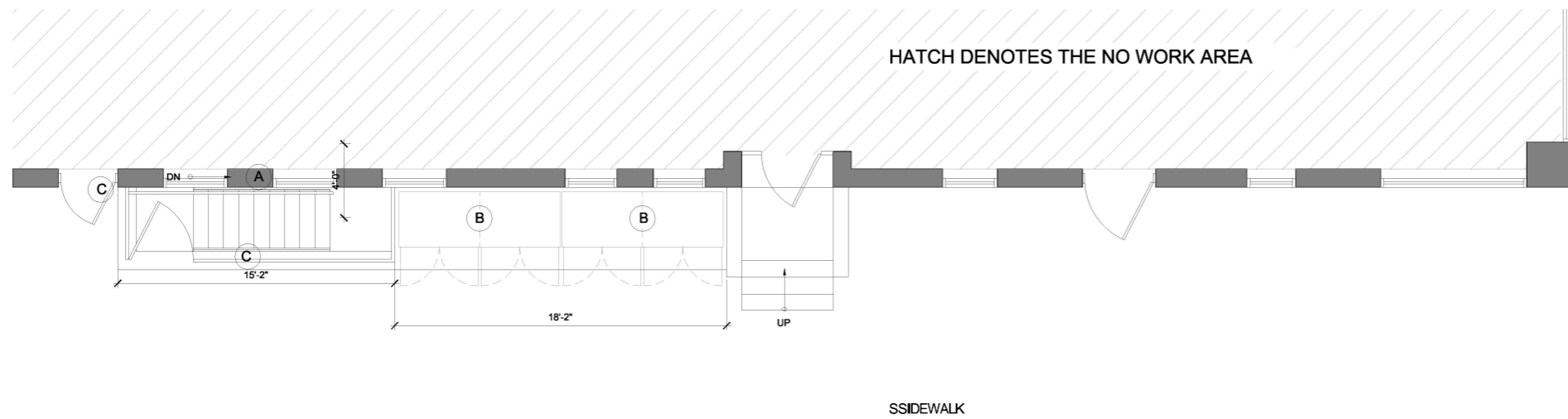
A-008.00

SHEET 09 OF 12



SSIDEWALK

1
A-005 EXISTING ENCLOSED AREAWAY & TRASH - 80TH ST
SCALE: 1/4"=1'-0"



SSIDEWALK

2
A-005 PROPOSED ENCLOSED AREAWAY & TRASH - 80TH ST
SCALE: 1/4"=1'-0"

LEGEND	
A	ENCLOSED AREAWAY
B	GARBAGE BINS ON CASTERS (NOT PERMANENTLY AFFIXED)
C	AREAWAY FENCE / ENCLOSURE REPLACEMENT



1 HISTORIC REFERENCE PHOTO
A-009 SCALE: 1/4" = 1'-0"



2 HISTORIC REFERENCE PHOTO
A-009 SCALE: 1/4" = 1'-0"



11 PARK PLACE SUITE 816
 NEW YORK, NY 10007
 PHONE: 212-952-7566

190 EAST MAIN STREET
 HUNTINGTON, NY 11743
 PHONE: 631-424-8480 FAX: 631-547-4193

PROJECT

420 AMSTERDAM
 AVE

NEW YORK, NY, 10024

MEP ENGINEER
 NAME:
 ADDRESS:
 CITY:
 STATE:
 ZIP:
 TEL:
 EMAIL:

STRUCTURAL ENGINEER
 NAME:
 ADDRESS:
 CITY:
 STATE:
 ZIP:
 TEL:

SPECIAL INSPECTOR:
 NAME:
 ADDRESS:
 CITY:
 STATE:
 ZIP:
 TEL:
 EMAIL:

REVISIONS:

DOB B-SCAN
 JOB #

DRAWING TITLE / INFORMATION:

REFERENCE
 PHOTOS

SEAL & SIGNATURE:



DATE: 02-09-2024
 DWG No.:

A-010

SHEET 11 OF 12



1 REFERENCE PHOTO - 454 AMSTERDAM AVE
 A-009 SCALE: 1/4" = 1'-0"



2 REFERENCE PHOTO - 454 AMSTERDAM AVE
 A-009 SCALE: 1/4" = 1'-0"



11 PARK PLACE SUITE 816
 NEW YORK, NY 10007
 PHONE: 212-932-7566

190 EAST MAIN STREET
 HUNTINGTON, NY 11743
 PHONE: 631-424-8480 FAX: 631-547-4193

PROJECT

420 AMSTERDAM
 AVE

NEW YORK, NY, 10024

MEP ENGINEER

NAME:
 ADDRESS:
 CITY:
 STATE:
 ZIP:
 TEL:
 EMAIL:

STRUCTURAL ENGINEER

NAME:
 ADDRESS:
 CITY:
 STATE:
 ZIP:
 TEL:

SPECIAL INSPECTOR:

NAME:
 ADDRESS:
 CITY:
 STATE:
 ZIP:
 TEL:
 EMAIL:

REVISIONS:

DOB B-SCAN
 JOB #

DRAWING TITLE / INFORMATION:

REFERENCE
 PHOTOS

SEAL & SIGNATURE:



DATE: 02-09-2024
 DWG No.:

A-011

SHEET 12 OF 12

March 19, 2024
Public Meeting

The current proposal is:

Preservation Department – Item 2, LPC-24-03142

420 Amsterdam Avenue – Upper West Side/Central Park

West Historic District

Borough of Manhattan

To testify virtually, please join Zoom

Webinar ID: 863 9606 8609

Passcode: 648010

By Phone: 1 646-558-8656 US (New
York) 877-853-5257 (Toll free) US
888 475 4499 (Toll free)

Note: If you want to testify virtually on an item, join the Zoom webinar at the agenda's "Be Here by" time (about an hour in advance). When the Chair indicates it's time to testify, "raise your hand" via the Zoom app if you want to speak (*9 on the phone). Those who signed up in advance will be called first.