

ROOF

GENERATOR ROOM

GENERATOR  
277/480V

ESS#3  
K4 NC  
ESS#2  
K3 NC  
ESS#1  
K2 NC

KIRK KEY BLOCK#1  
K1--K2K3K4

EDPH

5TH FLOOR

4TH FLOOR

3RD FLOOR

2ND FLOOR

LOADING DOCK

277/480V, 800KW  
STREET CONNECTION TO  
EMERGENCY PREPAREDNESS  
RENTED GENERATOR

K5 NO  
EHSS#1  
K6 NO  
EHSS#2  
K7 NO  
EHSS#3

KIRK KEY BLOCK#2  
K1--K5K6K7

Electrical  
Closet

1ST FLOOR

ELEC SVC ROOM

120/208V  
CON ED

FIRE ALARM SERVICE SWITCH

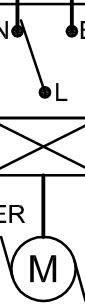
FP SERVICE SWITCH

MAIN SERVICE SWITCH

208V DELTA PRI  
277/480V WYE SEC

FIRE PUMP  
ROOM

DIV. 21  
FP ATS &  
CONTROLLER

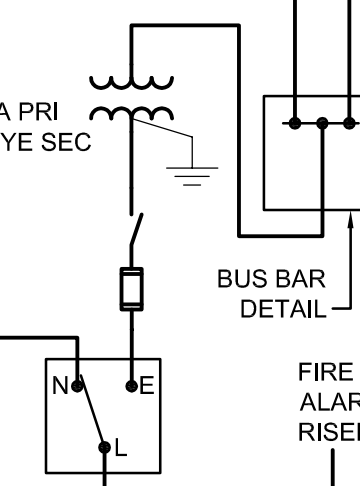


FIRE  
PUMP

BUS BAR  
DETAIL

FIRE ALARM  
ROOM

480V DELTA PRI  
120/208V WYE SEC



BUS BAR  
DETAIL

FIRE ALARM  
RISER

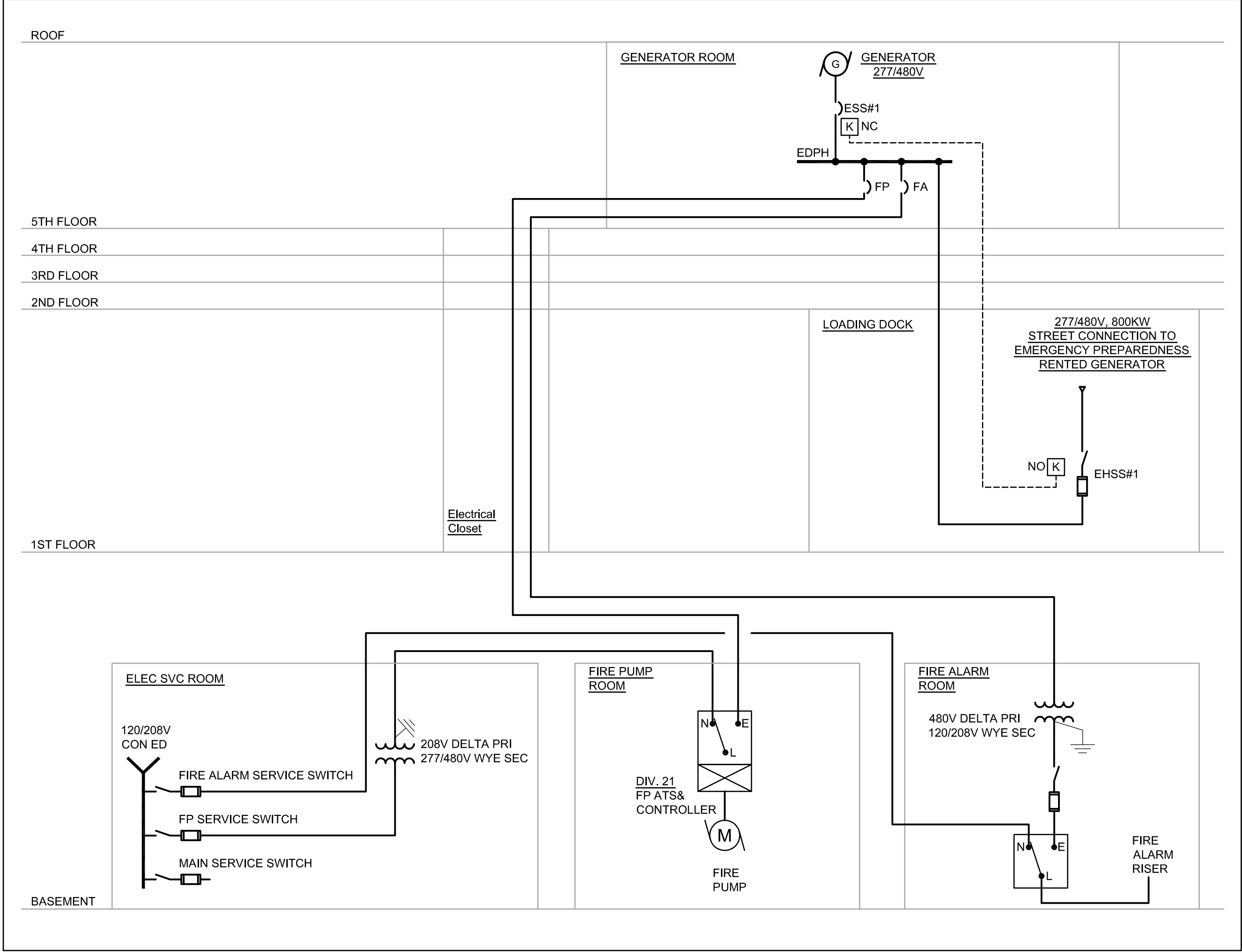
BASEMENT

NYU L @  
COBBLE HILL  
BROOKLYN, NY

REF: NYC EC Ref  
695.4.(B)(2)(4)-Fire pumps,  
disconnecting Means &  
overcurrent protection, Generator  
Supply.

FA & FP HOOKUP TO  
STREET EMERGENCY  
ROLL-UP GENERATOR

OPTION 1:



NYU L @  
COBBLE HILL  
BROOKLYN, NY

REF: NYC EC Ref  
695.4.(B)(2)(4)-Fire pumps,  
disconnecting Means &  
overcurrent protection, Generator  
Supply.

FA & FP HOOKUP TO  
STREET EMERGENCY  
ROLL-UP GENERATOR

**OPTION 2**  
**PREFERRED**