



Gigi Li, Board Chair

Susan Stetzer, District Manager

**Community Board 3 Liquor License Application Questionnaire**

**Please bring the following items to the meeting:**

**NOTE: ALL ITEMS MUST BE SUBMITTED FOR APPLICATION TO BE CONSIDERED.**

- Photographs of the inside and outside of the premise.
- Schematics, floor plans or architectural drawings of the inside of the premise.
- A proposed food and or drink menu.
- Petition in support of proposed business or change in business with signatures from residential tenants at location and in buildings adjacent to, across the street from and behind your proposed location. Petition must give proposed hours and method of operation. For example: restaurant, sports bar, combination restaurant/bar. (petition provided)
- Letter of notice of proposed business to block or tenant association if one exists. E-mail the CB3 office at **info@cb3manhattan.org** for help to find block associations.
- Photographs of proof of conspicuous posting of meeting with newspaper showing date.
- If applicant has been or is licensed anywhere in City, letter from applicable community board indicating history of complaints and other comments.

Check which you are applying for:

- new liquor license
- alteration of an existing liquor license
- corporate change
- upgrade of an existing liquor license
- sale of assets

**Today's Date: August.31,2012**

**If applying for sale of assets, you must bring letter from current owner confirming that you are buying business or have the seller come with you to the meeting.**

Type of license: Beer / Wine & Liquor Is location currently licensed?  Yes  No

If alteration, describe nature of alteration: Alteration 1 - Full Gut Rehab

Previous or current use of the location: Rock Band Studio

Corporation and trade name of current license: 106 ON THE L.E.S., LLC

**APPLICANT:**

Premise address: 106 Rivington Street, New York NY 10002

Cross streets: Essex Street and Ludlow Street

Name of applicant and all principals: Jose O. Rodriguez and Robert Payne

Trade name (DBA): Establishment name to be determined.



**PREMISE:**

Type of building and number of floors: Mixed-Use 2 Residential above Commercial (3FL)

Will any outside area or sidewalk cafe be used for the sale or consumption of alcoholic beverages?  
(includes roof & yard)  Yes  No If Yes, describe and show on diagram: \_\_\_\_\_

Does premise have a valid Certificate of Occupancy and all appropriate permits, including certificate of occupancy for back or side yard intended for commercial use?  Yes  No

Indoor Certificate of Occupancy Yes Outdoor Certificate of Occupancy No

Do you plan to apply for Public Assembly permit?  Yes  No

Zoning designation (check zoning using map: <http://gis.nyc.gov/doitt/nycitymap/> - please give specific zoning designation, such as R8 or C2): C4-4A

Is this premise wheel chair accessible?  Yes  No

We will make it wheel chair accessible.

**PROPOSED METHOD OF OPERATION:**

What type of establishment will this be (i.e.: restaurant, bar, performance space, club, hotel)?

Restaurant

Will any other business besides food or alcohol service be conducted at premise?  Yes  No

If yes, please describe what type: \_\_\_\_\_

What are the proposed days/hours of operation? (Specify days and hours each day and hours of outdoor space) Tues thru Friday 2pm - 4am Saturday 10am - 4am

Sun 10am - 2am Mon 2pm - 2am.

Number of tables? 45 Number of seats at tables? 110

How many stand-up bars/ bar seats are located on the premise? 2 Bar Counters

(A **stand up bar** is any bar or counter (whether with seating or not) over which a patron can order, pay for and receive an alcoholic beverage)

Describe all bars (length, shape and location): 9' Bar and 16' Bar

Any food counters?  Yes  No If Yes, describe: \_\_\_\_\_

Does premise have a full kitchen  Yes  No?



Does it have a food preparation area?  Yes  No (If any, show on diagram)

Is food available for sale?  Yes  No If yes, describe type of food and submit a menu  
Latin / American

What are the hours kitchen will be open? Mon - Fri 2pm - 12am Sat - Sun 10am - 2am

Will a manager or principal always be on site?  Yes  No If yes, which? \_\_\_\_\_

How many employees will there be? 26 employees

Do you have or plan to install  French doors  accordion doors or  windows?

Will you agree to close any doors and windows at 10:00 P.M. every night?  Yes  No

Will there be TVs/monitors?  Yes  No (If Yes, how many?) Only for special events ie: World Cup.

Will premise have music?  Yes  No

If Yes, what type of music?  Live musician  DJ  Juke box  Tapes/CDs/iPod

If other type, please describe \_\_\_\_\_

What will be the music volume?  Background (quiet)  Entertainment level

Please describe your sound system: Background mostly and entertainment level on weekends but still at a conversational level.

Will you host promoted events, scheduled performances or any event at which a cover fee is charged? If Yes, what type of events or performances are proposed? NO.

How do you plan to manage vehicular traffic and crowds on the sidewalk caused by your establishment? Please attach plans.

Will there be security personnel?  Yes  No (If Yes, how many and when) \_\_\_\_\_  
Sun - Thurs 1 Security Officer Fri - Sat 2 Security Officers

How do you plan to manage noise inside and outside your business so neighbors will not be affected? Please attach plans. Double door entrance. French doors will be closed by 10pm and the whole establishment will be soundproof.

Do you  have or  plan to install sound-proofing?

**APPLICANT HISTORY:**

Has this corporation or any principal been licensed previously?  Yes  No

If yes, please indicate name of establishment: \_\_\_\_\_

Address: \_\_\_\_\_ Community Board # \_\_\_\_\_

Dates of operation: \_\_\_\_\_

**If you answered "Yes" to the above question, please provide a letter from the community board indicating history of complaints or other comments.**

Has any principal had work experience similar to the proposed business?  Yes  No If Yes, please attach explanation of experience or resume.



Does any principal have other businesses in this area?  Yes  No If Yes, please give trade name and describe type of business 2 E&S Wholesome Foods and Stop 1 (Gourmet Food Stores)

Has any principal had SLA reports or action within the past 3 years?  Yes  No If Yes, attach list of violations and dates of violations and outcomes, if any.

Attach a separate diagram that indicates the location (**name and address**) and total number of establishments selling/serving beer, wine (B/W) or liquor (OP) for 2 blocks in each direction. Please indicate whether establishments have On-Premise (OP) licenses. Please label streets and avenues and identify your location. Use letters to indicate Bar, Restaurant, etc. The diagram must be submitted with the questionnaire to the Community Board before the meeting.

**LOCATION:**

How many licensed establishments are within 1 block? 5

How many licensed establishments are within 500 feet? 23

Is premise within a 500 foot radius of 3 or more establishments with OP licenses?  Yes  No

How many On-Premise (OP) liquor licenses are within 500 feet? 23

Is premise within 200 feet of any school or place of worship?  Yes  No

If there is a school or place of worship within 200 feet of your premise on the same block, submit a block plot diagram or area map showing its location in proximity to your premise and indicate the distance and name and address of the school or house of worship.

**COMMUNITY OUTREACH:**

If there are block associations or tenant associations in the immediate vicinity of your location, you must contact them. **Please attach proof (copies of letters and poster) that you have advised these groups of your application with sufficient time for them to respond to your notice.** You may contact the Community Board at [info@cb3manhattan.org](mailto:info@cb3manhattan.org) for any contact information.

**Please use provided petitions, which clearly state the name, address, license for which you are applying, and the hours and method of operation of your establishment at the top of each page.** (Attach additional sheets of paper as necessary).



2 BLOCK PLOT DIAGRAM

ALLEN ST

|                |
|----------------|
| VACANT LOT     |
| OFFICE         |
| MEN'S CLOTHING |

ORCHARD ST

|                |
|----------------|
| DELI           |
| VACANT STORE   |
| VACANT LOT     |
| CLOTHING STORE |
| TAILOR SHOP    |
| R              |

LUDLOW ST

|                  |
|------------------|
| R/B              |
| HAIR SALON / R/B |
| HOTEL - R/B      |
| R                |
| R                |
| DELI             |

ESSEX ST

|                         |
|-------------------------|
| R/B                     |
| LAUNDROMAT              |
| B                       |
| VACANT STORE            |
| VACANT STORE            |
| MINI MART               |
| HAIR SALON / ART STUDIO |
| SANDWICH SHOP           |

NORFOLK ST

|                       |
|-----------------------|
| R / B                 |
| NO COMMERCIAL         |
| MASSAGE / WINGS PLACE |
| CULTURAL CENTER       |

SUFFOLK ST

ALLEN ST

|             |
|-------------|
| R           |
| ART GALLERY |

ORCHARD ST

|                    |
|--------------------|
| R                  |
| REAL ESTATE OFFICE |
| R                  |
| R                  |
| TAILOR SHOP        |
| GROCERY STORE      |
| SEX TOY STORE      |
| R/WINE             |

LUDLOW ST

|                      |
|----------------------|
| SHOE STORE           |
| WOMEN'S CLOTHING     |
| <b>PROPOSED SITE</b> |
| CANDY STORE          |
| B                    |
| B                    |
| PHARMACY             |

ESSEX ST

|              |
|--------------|
| VACANT       |
| B            |
| EMPTY STORE  |
| OFFICES / B  |
| MUFFIN STORE |
| ART GALLERY  |
| VACANT STORE |
| NAIL SALON   |

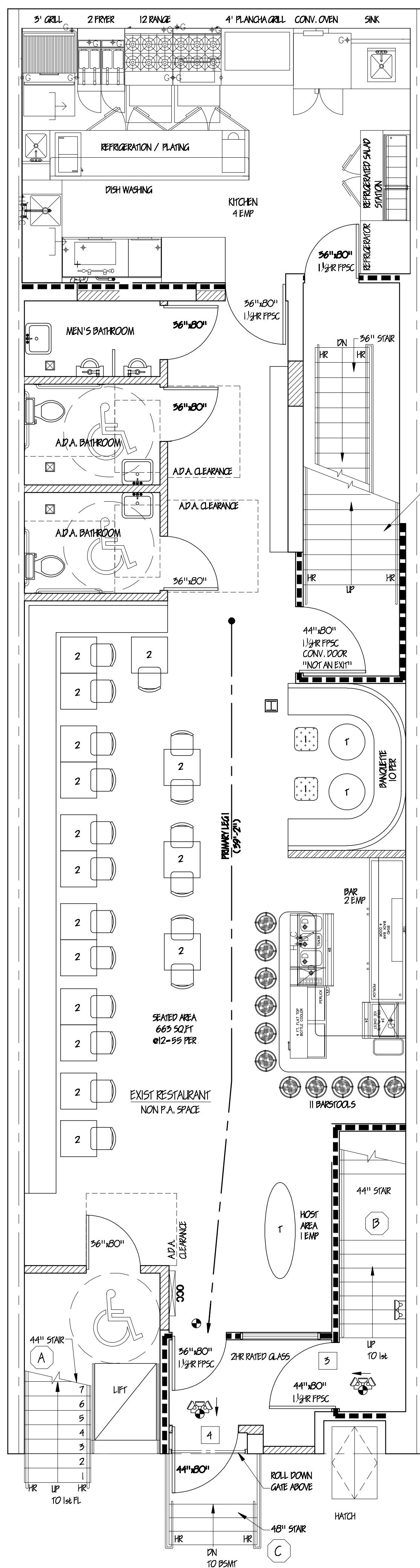
NORFOLK ST

|        |
|--------|
| SCHOOL |
|--------|

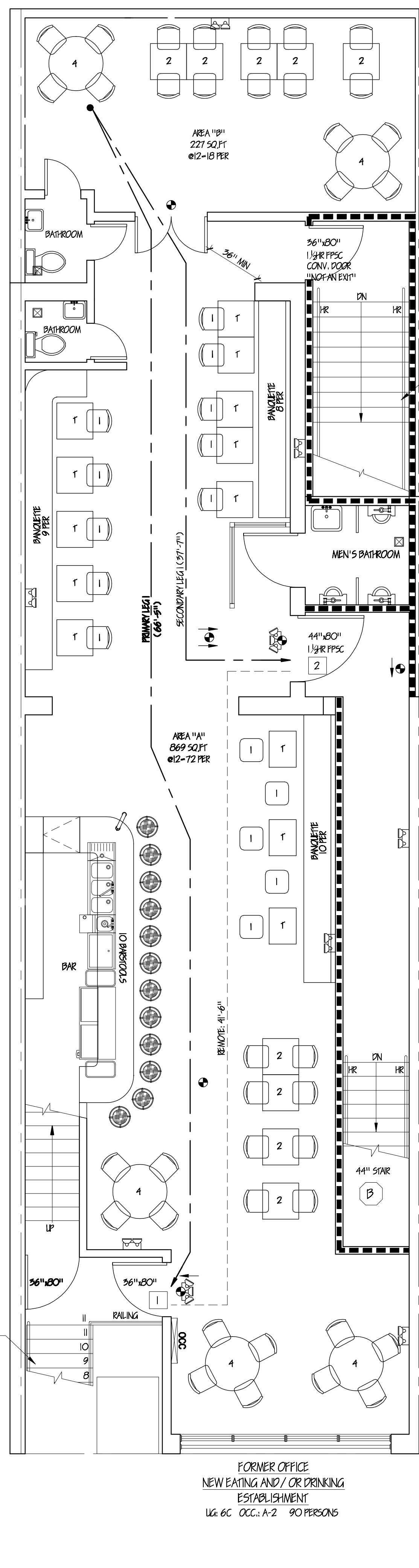
SUFFOLK ST

RIVINGTON STREET





**BASEMENT**  
Scale: 1/4"=1'-0"



**FIRST FLOOR**  
Scale: 1/4"=1'-0"

**BASEMENT**

**BASEMENT - TRAVEL DISTANCE CHART (TABLE 6-1)**

| LOCATION                                    | NAME    | LEG-1  | LEG-2 | LEG-3 | TOTAL            |
|---|---------|--------|-------|-------|------------------|
| BASEMENT                                    | PRIMARY | 59'-2" | -     | -     | 59'-2" < 127'-6" |
| FULLY SPRINKLERED - TABLE 6-1 - 1988 NON PA |         |        |       |       |                  |

**FIRST FLOOR**

**TRAVEL DISTANCE CHART (TABLE 8-1)**

| LOCATION    | NAME      | LEG-1  | LEG-2 | LEG-3 | TOTAL DISTANCE   |
|-------------|-----------|--------|-------|-------|------------------|
| FIRST FLOOR | PRIMARY   | 66'-5" | -     | -     | 66'-5" < 127'-6" |
| FIRST FLOOR | SECONDARY | 57'-7" | -     | -     | 57'-7" < 127'-6" |

- BUILDING IS FULLY SPRINKLERED / NOT FULLY SPRINKLERED  
 - MAXIMUM PRIMARY TRAVEL DISTANCE NOT TO EXCEED ( )  
 - MAXIMUM SECONDARY TRAVEL DISTANCE NOT TO EXCEED ( )

**FIRST FL - DOOR EGRESS CHART (TABLE 8-1)**

| TAG | QNT. | SIZE | LOCATION  | FIRE RATED | UNIT WIDTH | PER UNIT | ALLOW | ACTUAL |
|-----|------|------|-----------|------------|------------|----------|-------|--------|
| 1   | 1    | 36"  | FIRST FL. | -          | 1.5        | 50       | 75    | X      |
| 2   | 1    | 44"  | FIRST FL. | 1 1/2 HR   | 2          | 50       | 100   | X      |
| 3   | 1    | 44"  | BASEMENT  | 1 1/2 HR   | 2          | 50       | 100   | X      |
| 4   | 1    | 44"  | BASEMENT  | -          | 2          | 50       | 100   | X      |

**STAIR EGRESS CHART (TABLE 8-1)**

| TAG | SIZE | UNIT WIDTH | PER UNIT | ALLOW | ACTUAL |
|-----|------|------------|----------|-------|--------|
| (A) | 44"  | 2          | 60       | 120   | X      |
| (B) | 44"  | 2          | 60       | 120   | X      |
| (C) | 48"  | 2          | 60       | 120   | X      |

**EGRESS ANALYSIS CHART**

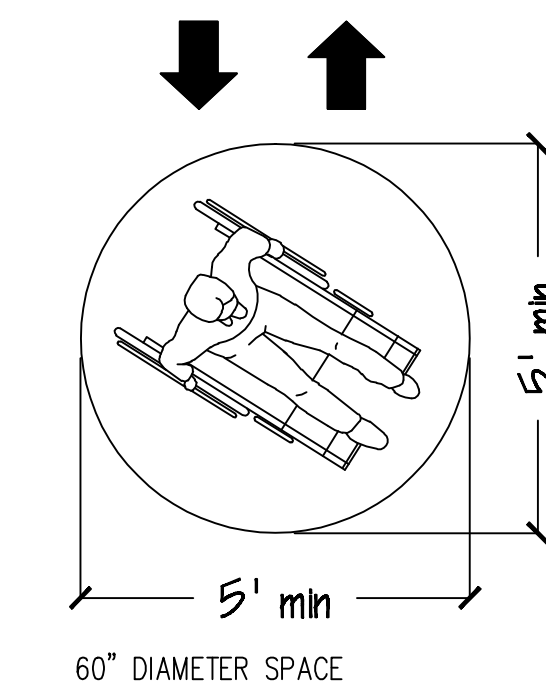
ENTER TEXT:

**PLUMBING FIXTURE COUNT (TABLE 16-1)**

| LOCATION   | FIXTURE  | QUANTITY | ALLOW | ACTUAL |
|--|----------|----------|-------|--------|
| 2 BATHROOMS AT CELLAR & 2 BATHROOMS AT FIRST FLOOR | TOILET   | 4        | 400   | 95     |
|  | LAVATORY | 4        | 1250  | 95     |

**FIRST FLOOR - OCCUPANCY CHART**

| LOCATION     | SQ. FT @ 12 | PATRONS   | EMPLOYEES | TOTAL     |
|--------------|-------------|-----------|-----------|-----------|
| AREA "A"     | 869 @ 12    | 72        | 3         | 75        |
| AREA "B"     | 227 @ 12    | 18        | -         | 18        |
| <b>TOTAL</b> |             | <b>90</b> | <b>3</b>  | <b>93</b> |



**27-527 POSTED CAPACITY**

51236-90(1) 27-527 POSTED CAPACITY

SEGS SHALL BE POSTED IN ALL ASSEMBLY SPACES, INCLUDING THE NUMBER OF PERSONS WHO MAY LEGALLY OCCUPY THE SPACE. SEGS SHALL NOT BE REQUIRED WHERE SEATING IS PROVIDED IN PLACE IN ACCORDANCE WITH AN APPROVED SEATING PLAN AND NO PROVISIONS SHALL BE FOR SEATED SPACES. SEGS SHALL BE AS FOLLOWS:

**OCCUPANCY BY MORE THAN PERSONS IS DANGEROUS AND UNLAWFUL.**  
 PUBLIC ASSEMBLY LICENCE NO. \_\_\_\_\_  
 COMMISSIONER, (WHERE APPLICABLE) DEPT. OF BUILDINGS, CITY OF NEW YORK.

WHEN A SPACE IS OCCUPIED FOR MULTIPLE PURPOSES INVOLVING DIFFERENT OCCUPANCY GROUPS THE SIGN SHALL READ AS FOLLOWS:

OCCUPANCY BY MORE THAN PERSONS AS \_\_\_\_\_ (type of occupancy) \_\_\_\_\_  
 OR BY \_\_\_\_\_ (type of occupancy) \_\_\_\_\_  
 OR BY \_\_\_\_\_ (type of occupancy) \_\_\_\_\_

IF DANGEROUS AND UNLAWFUL  
 PUBLIC ASSEMBLY LICENCE NO. \_\_\_\_\_  
 COMMISSIONER, (WHERE APPLICABLE) DEPT. OF BUILDINGS, CITY OF NEW YORK.

SEGS SHALL BE AT LEAST TWELVE INCHES WIDE AND SIXTEEN INCHES HIGH. THE LETTERING SHALL BE RED ON A WHITE BACKGROUND. THE LETTERS SHALL BE AT LEAST ONE INCH HIGH AND THE NUMBER SHALL BE AT LEAST ONE AND ONE QUARTER INCHES HIGH. SEGS SHALL BE FRAMED BY A TRANSPARENT PROTECTIVE COVER, AND PERMANENTLY MOUNTED IN A LOCATION THAT IS CONSPICUOUSLY VISIBLE TO A PERSON ENTERING THE SPACE. SEGS SHALL BE LIGHTED BY ARTIFICIAL ILLUMINATION IF ALL THE FOLLOWING OCCUPANCY TO MINIMUM AS LISTED IN THE FOOT CANDLE ON THE SURFACE OF THE SIGN.

**EMERGENCY LIGHTING NOTES**

AS PER NYC BUILDING CODE SECTION:

27-505 (A): THE ARTIFICIAL SOURCE ON EXTERNALLY LIGHTED SIGN SHALL PROVIDE A RED LIGHT, EITHER BY THE USE OF AN INCANDESCENT COLORED PULB OR OTHER VISIBLE RED LIGHT SOURCE, SO AS TO PROVIDE AT LEAST TWENTY-FIVE FOOT CANDLES ON THE EXPOSED FACE OF THE SIGN. VISIBILITY OF THE SIGN SHALL NOT BE OBSCURED BY THE LOCATION OF THE LIGHT SOURCE.

27-505 (B): FOR INTERNALLY LIGHTED SIGNS, THE AVERAGE INITIAL BRIGHTNESS OF THE LETTERS SHALL BE AT LEAST TWENTY-FIVE FT. CANDLEPOWER, AND WHERE AN ILLUMINATED BACKGROUND IS USED, ITS AVERAGE INITIAL BRIGHTNESS SHALL BE AT LEAST TWO HUNDRED FIFTY FT. CANDLEPOWER. THE LIGHT SOURCE SHALL NOT BE INCANDESCENT OR CHANGE-NOR SHALL LAMP LIFE MULTIPLES BE USED SO AS TO REDUCE THESE BRIGHTNESS LEVELS.

27-505 (C): THE LETTERS OF EXIT SIGN SHALL BE RED, THE BACKGROUND OF THE EXTERNALLY LIGHTED SIGNS SHALL BE WHITE, THE BACKGROUND OF THE INTERNALLY LIGHTED SIGNS SHALL BE EITHER STENCILED METAL WITH A LIGHT GRAY OR WHITE COLOR, OR TRANSLUCENT PRESSED, OPAL GLASS, SLOW-BURNING PLASTIC, OR THE PLASTIC EDGE-GLOW TYPE WITH WHITE PLASTIC SEPARATORS. THE LETTERS FOR THE INTERNALLY LIGHTED SIGNS SHALL BE TRANSLUCENT RED.

27-505 (D): THE LETTERS FOR AND ONE HALF INCHES HIGH WITH NINE-SIXTEEN INCH STROKES, EXCEPT IN BUILDINGS AND SPACES CLASSIFIED IN OCCUPANCY GROUP F AND J, WHERE THEY SHALL BE AT LEAST EIGHT INCHES HIGH WITH THE STROKES AT LEAST THREE-QUARTER OF AN INCH WIDE.

27-505 (E): IN LOCATION WHERE BREAKAGE MAY OCCUR, EXIT SIGNS SHALL BE OF SHOCK RESISTANT MATERIAL, OR SHALL OTHERWISE BE PROTECTED AGAINST BREAKAGE.

27-505 (F): EXCEPT FOR BUILDING NOT PROVIDED WITH ARTIFICIAL LIGHTING AND BUILDING WHICH MAINTAIN OR MORE AUXILIARY SYSTEM FOR EMERGENCY EXIT LIGHTING IN THE EVENT OF A PUBLIC UTILITY FAILURE, THERE SHALL BE EITHER (1) AN ILLUMINATED EXIT SIGN WITH THE BACKGROUND THEREON MADE OF AN APPROVED PHOSPHORESCENT MATERIAL OR (2) A SUPPLEMENTAL EXIT SIGN MADE OF AN APPROVED PHOSPHORESCENT MATERIAL WITH AN OPALIC TEXT AND PLACED ADJACENT TO OR AS CLOSE AS POSSIBLE TO SUCH ILLUMINATED SIGN. THE PHOSPHORESCENT MATERIAL, AFTER EXPOSURE TO NORMAL LIGHTING CONDITIONS SHALL BE CAPABLE OF REMAINING VISIBLE IN TOTAL DARKNESS FOR A PERIOD OF AT LEAST EIGHT HOURS. THE SIGNS SHALL BE WASHABLE, NON-TOXIC, NON-CORROSIVE AND IF SUBJECTED TO FIRE MUST BE SELF EXTINGUISHING WHEN THE FLAME IS REMOVED.

VARIATION OF THE ABOVE REQUIREMENTS GRANTED BY MUSH 5/19/91 AS ATTACHED.

**PUBLIC ASSEMBLY NOTES**

MINIMUM OF BASIC SIGNS TO BE 3'-0" IN EACH ROOM, AND BASIC AS TO BE APPROVED MEANS OF EGRESS.

CAPACITY SIGN AT LEAST 12" WIDE AND 16" HIGH TO BE POSTED WHERE SHOWN IN COMPLIANCE WITH SUB-ARTICLES 606.0, 626-80(1) B.C.

EXIT SIGNS TO BE AT LEAST 8" IN HEIGHT WITH STROKES AT LEAST 5/16" WIDE TO COMPLY WITH WITH SUB-ARTICLES 606.0, 626-80(1) B.C.

SIGNS TO BE INTERNALLY LIGHTED TYPE IN ALL SPACES WHERE GENERAL ILLUMINATION IS REDUCED TO LESS THAN 5 FOOT CANDLES DURING OCCUPANCY. SIGNS TO BE LIGHTED AT ALL TIMES DURING OCCUPANCY PER C26-80(1) B.C.

DRAPES, CURTAINS, DECORATIONS AND SCENERY HAVING FLAME SPREAD RATINGS EXCEEDING 25 TO BE FLAME PROTECTED TO COMPLY WITH 119-161 OF THE FIRE CODE PER C26-80(2) B.C.

ALL NECESSARY PERMITS WILL BE OBTAINED WHERE REQUIRED.

HOODS OVER RANGE AND FLUES SHALL BE THOROUGHLY CLEANED AT LEAST EVERY THREE MONTHS. A RECORD INDICATING THE PERSON OR FIRM WHICH COMPLETED SUCH CLEANING PROCESS AND AVAILABLE FOR EXAMINATION PER C26-144 C.B. B.C.

EMERGENCY LIGHTING FACILITIES TO BE PROVIDED OF AT LEAST 5 FOOT CANDLES OF ILLUMINATION AT THE FLOOR LEVEL, PROVIDED SEPARATE CIRCUITS EITHER TAKEN OFF AHEAD OF THE MAIN SWITCH OR CONNECTED TO A SEPARATE EMERGENCY LIGHTING POWER SOURCE AND BE ARRANGED TO OPERATE AUTOMATICALLY IN THE EVENT OF FAILURE OF THE NORMAL LIGHTING SYSTEM. LIGHTS TO BE 25 WATTS MINIMUM AND 9'-0" ABOVE THE FLOOR AND COMPLY WITH DIRECTIVE 5 OF 1979, PER C26-80(1) B.C.

PROVIDE AT LEAST FIVE (5) FOOT CANDLES OF ILLUMINATION AT FLOOR LEVEL AT EXIT AREA.

THE EXIT AREA TO BE ILLUMINATED SHALL NOT BE DIMINISHED TO LESS THAN (1) FOOT CANDLES AT A LEVEL OF EIGHTEEN (18) INCHES ABOVE THE FLOOR AT CROSS ABLES.

THE INTENSITY OF THE GENERAL ILLUMINATION SHALL BE DIMINISHED TO LESS THAN (1) FOOT CANDLES AT THE LEVEL OF EIGHTEEN (18) INCHES ABOVE THE FLOOR ELSEWHERE.

THE LIGHTING UNITS SHALL BE SO ARRANGED NOT TO:

A. INTRODUCE DISORIENTING GLARE TO THE PATH OF ESCAPE.  
 B. DRAMATICALLY ALTER THE CHARACTER AND QUALITY OF ILLUMINATION.  
 C. PRESENT A HAZARD TO THE OCCUPANTS AND BE PROTECTED AS NECESSARY.

ILLUMINATION SHALL BE ASSURED THAT THE FALLS OF ANY SINGLE LIGHTING UNIT, SUCH AS THE BURNING OUT OF AN ELECTRIC BULB, WILL NOT LEAVE ANY AREA IN DARKNESS.

EXIT LIGHTING SHALL BE ON CIRCUITS THAT ARE SEPARATE FROM GENERAL LIGHTING AND EMERGENCY LIGHTING POWER SOURCE WHEN SUCH IS PROVIDED. HOWEVER, AN EMERGENCY LIGHTING POWER SOURCE WHEN SUCH IS PROVIDED IF POWER OPERATED, MAY BE RECHARGED FROM THE GENERAL LIGHTING AND POWER CIRCUITS.

EMERGENCY LIGHTING TO COMPLY WITH DIRECTIVE 5 OF 1979.

**DISCLAIMER NOTE**

1. THE ENTIRE CONTENTS OF THIS DOCUMENT, INCLUDING ALL SPECIFICATIONS, PLANS, SCHEDULES, DRAWINGS, SCHEDULES, AND SPECIFICATIONS, AND COPYRIGHTS THEREON, ARE AND SHALL REMAIN THE SOLE AND EXCLUSIVE PROPERTY OF R.I.P. CONSULTANTS, INC. THE DOCUMENTS AND THEIR CONTENTS MAY NOT BE REPRODUCED, PHOTOCOPIED, OR REPRODUCED DIGITALLY, ELECTRONICALLY, OR IN ANY OTHER MANNER WITHOUT THE EXPRESS WRITTEN CONSENT OF R.I.P. CONSULTANTS, INC.

2. THE CONTRACTOR SHALL CHECK AND VERIFY ALL CONDITIONS AND DIMENSIONS AND REPORT ANY DISCREPANCIES TO THE ARCHITECT PRIOR TO START OF WORK.

3. IT IS A VIOLATION OF NYS EDUCATION DEPT. LAW FOR ANY PERSON, UNLESS ACTING UNDER THE DIRECTION OF A LICENSED ARCHITECT OR ENGINEER, TO ALTER THIS PLAN IN ANY WAY.

**SPECIAL INSPECTIONS**

**REVISIONS**

**PLOT PLAN - N.T.S.**

BLOCK: 411  
 LOT: 72  
 MAP: 12C  
 ZONE: C4-4A

66'-42" 22'  
 80'  
 66'-42"

**OWNER'S INFORMATION**

**CONSTRUCTION CONSULTANT / NYC EXPEDITOR**  
 R.I.P. C.C. INC.  
 217 CENTRE ST. 5TH FLOOR  
 NEW YORK, NY 10013  
 TEL: 212-334-7400 FAX: 212-334-7447  
**ARCHITECT / ENGINEER OF RECORD**  
 GIANNI INTILI R.A. #023916  
 217 CENTRE ST. 5TH FLOOR  
 NEW YORK, NY 10013  
 212-334-2442

**PROJECT INFORMATION**

**PROJECT NAME**  
 106 RIVINGTON STREET  
 NEW YORK, NY 10002

**SHEET TITLE:**  
**BASEMENT & FIRST FLOOR PLAN**

| DATE:      | NYC DOB BSCAN:              |
|------------|-----------------------------|
| 01.06.11   |                             |
| PROJECT #: |                             |
| 00-000     |                             |
| DRAWN BY:  |                             |
| LC         | NYC DOB STAMPS & SIGNATURES |
| SCALE:     |                             |
| AS SHOWN   |                             |
| SHEET:     |                             |
| 1 OF 1     |                             |
| SEAL:      |                             |

**DRAWING NUMBER:**  
**PA-001.00**



## Soups

Spicy corn soup  
W/ huitlacoche quesadilla

Black bean soup  
Pico de Gallo, tortilla strips chips  
Cilantro cream

Seafood gumbo soup

## Salads

Spinach salad  
W/pickles Red onions, toasted almonds  
Panela cheese, balsamic-chipotle vinaigrette

Jicama, celery Root, green apple salad  
W/spicy candy walnuts, cotiga cheese

Roasted beet Timbales  
W/goat cheese, apple, walnut vinaigrette

Cesar Salad  
Plantain croutons, Cesar dressing

Lemon- garlic vinaigrette

Roasted figs salad  
Wrapped in prosciutto  
W/arugula and balsamic reduction

## Hot appetizers

Shrimp Cakes  
Over fava beans salpicon  
Mole vinaigrette

Grilled baby octopus  
W/fingerling potatoes, chorizo, Roasted poblanos



And salsa Verde

Cebiche Verde

Fluke fish, fresh herbs, fried plantains

Salmon tartare

Green plantain tostones

Poblano Aioli

Papa Rellena

Stuffed crispy mashed potato

W/ savory ground beef, red onions relish

Stuffed poblano Chile

W/Chihuahua cheese

Over black bean sauce, guacamole

Pico de Gallo

## Entrees

Lobster pot pie

Jambalaya

w/crawfish etouffe sauce

Salmon

w/chayote gratin, frejoles negros

tomatillo broth

Red Snapper

Tomato marmalade , spicy peppers,with chorizo and black olives

Bodega Fish Tacos

Mahi, mahi, cantaloupe salsa, guacamole, poblano aioli

Soft flour tortilla

Roasted poussin

Over spicy corn waffle

And andouille gumbo sauce

Roasted Chicken

confit purple Peruvian potatoes

w/ aji de gallina sauce, walnuts relish

Pato –Duck two ways

w/ yucca al mojo, mole plums

Grilled Filet Mignon

Portobello goat cheese gratin



Tomatillo sauce

Grilled Sirloin Steak

w/papas al ajillo, caramelized cipollini onions  
chimichurri sauce

Oxtail Ropa vieja

w/peppers escabeche and arepas colombianas

Grilled Pork Chop

Pineapple prints, sweet plantains

Chipotle-honey glazed

Prime angus

Cheese burger on onion brioche

w/mushroom, grilled onions, smock bacon  
and hand cut fries

Rib eye steak

w/blue cheese crust

creamed spinach& port wine sauce

## Desserts

Mango crème brulee

w/toasted coconut flakes

caramelized banana

tartare

w/ chocolate mousse & caramel sauce

Rum bread pudding

w/ golden raisins & vanilla sauce

Rice pudding  
w/marinated strawberries  
and crisps

Espresso and strawberries  
Tres leches cake



The following undersigned residents of the area support the issuance of an On - Premises New Liquor License to 106 On The LES, LLC. (Establishment Name to be determined.)

License: New On Premises Full Liquor License.

Hours of Operation: Sunday - Wednesday up to 2AM. Thursday - Saturday up to 4AM.

Address of Premises: 106 Rivington Street, New York, NY 10002

This establishment will be an upscale Bistro / Lounge.

|    | Name                 | Signature     | Address                    |
|----|----------------------|---------------|----------------------------|
| 1  | Rachel McGrath       |               | 159 Essex                  |
| 2  | JANICE ARAKAKI       | J. Arakaki    | 185 PPSW BK 11213          |
| 3  | Jiu Buchanan         |               | 150 Ludlow St.             |
| 4  | Michael Aronson      |               | 150 Ludlow St              |
| 5  | J Tam                |               | 152 Ludlow St              |
| 6  | Caroline Thompson    |               | 157 Suffolk                |
| 7  | Jonathan Richardo    |               | 117 Stanton Apt #2 B 10002 |
| 8  | Carol Ortiz          | Carol Ortiz   | 159 Essex Street           |
| 9  | Rene Lopez           |               | 107 Rivington PH           |
| 10 | ERIKA ENSTRÖM        |               | 174 Ludlow                 |
| 11 | Ludg Rodriguez       |               | 151 Norfolk St PH          |
| 12 | Charmen J...         |               | 112 Suffolk St. PH         |
| 13 | Marcial Perez        | Marcial Perez | 9096 STANTON ST #44        |
| 14 | Carlos Rodriguez     |               | 117 Stanton Street         |
| 15 | Milagros Encarnacion |               | 108 Norfolk St             |
| 16 | Katy Mangano         | Katy Mangano  | 163 Stanton St             |
| 17 | Andrew Johnson       |               | 163 Stanton St             |
| 18 | Sachin               |               | 157 Ludlow St              |
| 19 | Zack Sweet           |               | 190 Stanton St.            |
| 20 | Juan Tulio de la     |               | 210 Stanton St.            |
| 21 | Alex Rodriguez       |               | 90 Stanton St.             |
| 22 | Derek Jeter          | Derek Jeter   | 10 Stanton St.             |
| 23 | Ronald Moran         | RONALD MORAN  | 9096 Stanton               |
| 24 | JOAO Luis            |               | 159 Stanton                |
| 25 | Ann O'Leary          |               | 164 Stanton                |



The following undersigned residents of the area support the issuance of an On - Premises New Liquor License to 106 On The LES, LLC. (Establishment Name to be determined.)

License: New On Premises Full Liquor License.

Hours of Operation: Sunday - Wednesday up to 2AM. Thursday - Saturday up to 4AM.

Address of Premises: 106 Rivington Street, New York, NY 10002

This establishment will be an upscale Bistro / Lounge.

|    | Name                | Signature      | Address  |
|----|---------------------|----------------|--|
| 1  | Renee Davis         | Renee Davis    | 129 Patchen Ave Apt 3 D<br>Brooklyn N.Y. 11221 |
| 2  | DUSTIN EMMOTT       |                | 188 NORFOLK ST NYC 10002                       |
| 3  | Rachel Eckenthal    |                | 146 Essex St. NY NY 10002                      |
| 4  | Angelina De febris  | Angelina De    | 416 E 10 St NY NY 10002                        |
| 5  | Kevin Lewis         | Kevin Lewis    | 89-07 148th Jamaica NY 11435                   |
| 6  | Calvin Jones        | Calvin Jones   | 811 Hickory St APT 3A NYC 10002                |
| 7  | Amy Siffr           |                | 400 2nd Ave 100 NY NY 10002                    |
| 8  | Marguerite La Clair | Marguerite     | 137 Ludlow St. NY NY, 10002                    |
| 9  | Vickyana Paulino    | Vickyana       | 133 Essex St. NY NY. 10002                     |
| 10 | Lucila Perez        | Lucila Perez   | 151 Norfolk St NY NY 10002                     |
| 11 | LOA Lopez           |                | 115 ESSEX ST #3A NY NY 10002                   |
| 12 | Charles Deon        |                | 172 Delancey St NY NY 10002                    |
| 13 | Ashley Kawalsky     | Ashley         | 116 Stanton St Apt 1 NY NY 10002               |
| 14 | Merion Fedrymes     | Merion         | 144 Essex St. NYC NY 10002                     |
| 15 | J.P. Garanno -      | J.P. Garanno   | 62 Rivington St, NYC NY 10002                  |
| 16 | Claire Sheehan      | Claire Sheehan | 758 Morris Ave NYC NY 11216                    |
| 17 | Haydee Albino       | Haydee         | 142 Stanton St NYC 10002                       |
| 18 | Mikaela Barish      | Mikaela        | 238 E 7th St, NYC, NY 10002                    |
| 19 | Marisa Rosentfeld   | Marisa         | 74-19 64th Place Glendale 11352                |
| 20 | D. Harmatz          | D. Harmatz     | 166 ESSEX STR.                                 |
| 21 | C Grand             | C Grand        | 145 Stanton St NYC                             |
| 22 | Maria Coss          | Maria Coss     | 151 Norfolk St. NY 10002                       |
| 23 | Simon Dyer          | Simon Dyer     |  |
| 24 | Mario Lopez         | Mario Lopez    | 153 Norfolk St. NY 10002                       |
| 25 | Seifine D.          | Seifine D.     | 166 Stanton NY 10002                           |



The following undersigned residents of the area support the issuance of an On - Premises New Liquor License to 106 On The LES, LLC. (Establishment Name to be determined.)

License: New On Premises Full Liquor License.

Hours of Operation: Sunday - Wednesday up to 2AM. Thursday - Saturday up to 4AM.

Address of Premises: 106 Rivington Street, New York, NY 10002

This establishment will be an upscale Bistro / Lounge.

|    | Name              | Signature | Address               |
|----|-------------------|-----------|-----------------------|
| 1  | Carlos Ramirez    |           | 105 Stanton St        |
| 2  | Benjamin          |           | 164 Ludlow            |
| 3  | Amsun Pulus       |           | 99 Orchard Cr.        |
| 4  | Jeffrey Porosi    |           | 124 Ludlow St.        |
| 5  | Stephanie Nist    |           | 173 Ludlow St.        |
| 6  | DON ACKARD        |           | 157 Stanton St.       |
| 7  | Miam              |           | 147 Essex St          |
| 8  | Mario Nunez       |           | 100 Rivington St.     |
| 9  | Frank Anthony     |           | 164 Ludlow            |
| 10 | Cory Lopez        |           | 202 Rivington St.     |
| 11 | ANTONIO BARRERAS  |           | 189 STANTON           |
| 12 | AL ILLZ           |           | 183 LUDLOW            |
| 13 | Roland Jarquic    |           | 99 SOFTOLK            |
| 14 | Manah Hutchins    |           | 122 Ludlow            |
| 15 | Arthur Vasic      |           | 2611 28th St. Astoria |
| 16 | K. AWROCKIS       |           | Germany               |
| 17 | D. Warner         |           | 2a Cincin             |
| 18 | D. Rosenberg      |           | 164 Ludlow St         |
| 19 | TOM BUTOVC        |           | 101 Stanton St.       |
| 20 | Lux Nicola        |           | 200 Allen St          |
| 21 | GEORFAQUINO       |           | 125 STANTON           |
| 22 | Sheila Adams      |           | 189 Allen Street      |
| 23 | Matt Schiffman    |           | 199 Ludlow St         |
| 24 | Alex Bueno        |           | 521 F.D.R. Drive      |
| 25 | Fernando Guard. A |           | 152 Ludlow Street.    |



The following undersigned residents of the area support the issuance of an On - Premises New Liquor License to 106 On The LES, LLC. (Establishment Name to be determined.)

License: New On Premises Full Liquor License.

Hours of Operation: Sunday - Wednesday up to 2AM. Thursday - Saturday up to 4AM.

Address of Premises: 106 Rivington Street, New York, NY 10002

This establishment will be an upscale Bistro / Lounge.

|    | Name                     | Signature   | Address                  |
|----|--------------------------|-------------|--------------------------|
| 1  | Naomi Eder               |             | 188 Ludlow St.           |
| 2  | Yudely Colon             |             | 286 South St             |
| 3  | <del>Nicole Avenda</del> | <del></del> | <del>188 Ludlow St</del> |
| 4  | Tony Watkins             |             | 169 Ludlow St.           |
| 5  | John Castro              |             | 166 Ludlow St            |
| 6  | Tom Marino               |             | 117 Ludlow               |
| 7  | Jose Mercedes            |             | 141 Ludlow St            |
| 8  | Edwin Perez              |             | 169 Suffolk St           |
| 9  | Diego Guerra             |             | 170 Essex St             |
| 10 | Tami Conracion           |             | 226 E St                 |
| 11 | Lilly Ann Dressler       |             | 100 St. Marks.           |
| 12 | John Helmer              |             | 96th St.                 |
| 13 | Jan Kueber               |             | 146 Essex St.            |
| 14 | Andrew Finn              |             | 81 Rivington St          |
| 15 | Rachel Musquiz           |             | 177 Orchard              |
| 16 | Hani Aherty              |             | 143 Ludlow               |
| 17 | J. Engelhart             |             | 211/12 Voorhies          |
| 18 | Guany Rodriguez          |             | 168 Norfolk St           |
| 19 | Alex Holden              |             | 132 Ludlow St.           |
| 20 | Chad Stracensky          |             | 124 Rivington St.        |
| 21 | Wils Guria               |             | 117 Stanton              |
| 22 | Inene Augusto            |             | 10 Stanton St            |
| 23 | Bill Piccolo             |             | 134 Ludlow St            |
| 24 | Rhonda Ay                |             | 255 Jefferson St.        |
| 25 | LAMAR OIA P              |             | GRIMMING ST + 3rd        |



The following undersigned residents of the area support the issuance of an On - Premises New Liquor License to 106 On The LES, LLC. (Establishment Name to be determined.)

License: New On Premises Full Liquor License.

Hours of Operation: Sunday - Wednesday up to 2AM.

Thursday - Saturday up to 4AM.

Address of Premises: 106 Rivington Street, New York, NY 10002

This establishment will be an upscale Bistro / Lounge.

|    | Name                 | Signature | Address               |
|----|----------------------|-----------|-----------------------|
| 1  | Jonathan Hirsch      |           | 113 Stanton St / #2   |
| 2  | Shikha Jain          |           | 87 Attorney St / #    |
| 3  | Rodolfo LIRIANO      |           | 234 Mulberry St #8    |
| 4  | M. Luckwood          |           | 125 Stanton St Apt    |
| 5  | Sarah Bower          |           | 314 South 3rd Street  |
| 6  | Noah Ah              |           | 127 Rivington Apt 2   |
| 7  | Apoorva Agarwal      |           | 58 E 1st St Apt SA    |
| 8  | Al HAFI              |           | 163 Ludlow St. #3B    |
| 9  | CHRISTINA KORNIZAKIS |           | 151 Ludlow St (STORE) |
| 10 | Jonathan Arnold      |           | 114 Stanton St.       |
| 11 | MARINET MATTHEE      |           | 153 NORFOLK STR       |
| 12 | Yan Ky Williams      |           | 116 Stanton St.       |
| 13 | Tim White            |           | 147 Essex St          |
| 14 |                      |           | 431 East              |
| 15 | Tom Claxton          |           | 141 Ridge St.         |
| 16 | Brendan Rice         |           | 101 Ludlow            |
| 17 | Dara vanbusen        |           | 153 Norfolk           |
| 18 | Mike Khann           |           | 106 Ridge             |
| 19 | Tom Read             |           | 188 Ludlow St.        |
| 20 | Kristin Vazquez      |           | 149 Ludlow            |
| 21 | J. H.                |           | 125 E. 7th            |
| 22 | John R. Lauriano     |           | 154 Broome St.        |
| 23 | Lori Perez           |           | 154 Broome St.        |
| 24 | Mark Vega            |           | 254 3rd Street        |
| 25 | Osvaldo Hernandez    |           | 31 east 31 street     |



The following undersigned residents of the area support the issuance of an On - Premises New Liquor License to 106 On The LES, LLC. (Establishment Name to be determined.)

License: New On Premises Full Liquor License.

Hours of Operation: Sunday - Wednesday up to 2AM. Thursday - Saturday up to 4AM.

Address of Premises: 106 Rivington Street, New York, NY 10002

This establishment will be an upscale Bistro / Lounge.

|    | Name                       | Signature                  | Address                   |
|----|----------------------------|----------------------------|---------------------------|
| 1  | DAVID BOWMAN               |                            | 153 LUDLOW ST             |
| 2  | Velyo Begey                |                            | 168 LUDLOW ST             |
| 3  | Cabel Donno                |                            | 151 Norfolk St NYC        |
| 4  | <del>Embriela Torres</del> | <del>Embriela Torres</del> | <del>521 FOR AVE</del>    |
| 5  | Elisa Peña                 |                            | 50 Broadway               |
| 6  | <del>Jedyn de Rota</del>   | <del>Embriela Torres</del> | 131 NORFOLK ST            |
| 7  | <del>Zulaya Torres</del>   | <del>Zulaya Torres</del>   | 99 Avenue C               |
| 8  | <del>Zulaya Sanchez</del>  | <del>Zulaya Sanchez</del>  | 340 Cherry Street         |
| 9  | Eric Hernandez             |                            | 100 Pitt Street           |
| 10 | MICHAEL PERCE              |                            | 97 PITT ST.               |
| 11 | Arthur Hanna               |                            | 97 Pitt St.               |
| 12 | Pauli Graham               |                            | 164 Stanton St.           |
| 13 | Brandon Casey              |                            | 152 Ludlow St.            |
| 14 | Darshan Bassman            |                            | 152 Ludlow St             |
| 15 | <del>JOHN JAMEN</del>      | <del>JOHN JAMEN</del>      | 150 Orchard St            |
| 16 | JOSE SUAREZ                |                            | 2130 1st Av. 10029        |
| 17 | Kelsey Jones               |                            | 179 Essex 10002           |
| 18 | Aixa Torres                |                            | 7 St James Pl 10035       |
| 19 | Andres C PERALTA           |                            | 162 Stanton St. #B NY 100 |
| 20 | Brian Shaffian             |                            | 115 Essex St              |
| 21 | BETON KUTER                |                            | 161 Ludlow St NY 10002    |
| 22 | Kenneth Arnold             |                            | 114 Stanton               |
| 23 | Karl Howell                |                            | 172 Ludlow                |
| 24 | <del>Salvador</del>        | <del>Salvador</del>        |                           |
| 25 | Nicole ROSTKER             |                            | 105 STANTON ST            |



The following undersigned residents of the area support the issuance of an On - Premises New Liquor License to 106 On The LES, LLC. (Establishment Name to be determined.)

License: New On Premises Full Liquor License.

Hours of Operation: Sunday - Wednesday up to 2AM. Thursday - Saturday up to 4AM.

Address of Premises: 106 Rivington Street, New York, NY 10002

This establishment will be an upscale Bistro / Lounge.

|    | <u>Name</u>       | <u>Signature</u> | <u>Address</u>         |
|----|-------------------|------------------|------------------------|
| 1  | Elizabeth Ferraro |                  | 163 Stanton St, Apt 16 |
| 2  | Tim Patton        |                  | 139 Norfolk St. Apt A  |
| 3  | Jose Molina       |                  | 141 Norfolk St         |
| 4  | Chadi Jhaque      |                  | 139 Essex St NY 10002  |
| 5  | Sherief Hamid     |                  | 157 Ludlow, Apt 5th    |
| 6  | AMAR MOLASCO      |                  | 162 Stanton St         |
| 7  | Woo Parkson       |                  | 146 Euclid Av.         |
| 8  | Lincoln Burgess   |                  | 118 Stanton            |
| 9  | Call Kalgasi      |                  | 196 Stanton St.        |
| 10 | GENESIS CASTRO    |                  | 116 STANTON STREET.    |
| 11 | Lorenzo Crane     |                  | 116 " "                |
| 12 | JHEYSTA Penier    |                  | " "                    |
| 13 | Hander Diaz       |                  | " "                    |
| 14 | Nicole Delarose   |                  | " "                    |
| 15 | Angel Ineranta    |                  | " "                    |
| 16 | Lebron James      |                  | 128 SUFOLK ST          |
| 17 | Brandon Buchanan  |                  | 164 Stanton St         |
| 18 | Antonio Jeta Chz  |                  | 119 SUFOLK ST          |
| 19 | PALAGOWA          |                  | 4 ST. AVA              |
| 20 | Cheryl Talavera   |                  | 166 Essex St           |
| 21 |                   |                  |                        |
| 22 | Jonathan Liss     |                  | 153 Norfolk St.        |
| 23 | Mow Wang          |                  | 188 Ludlow St.         |
| 24 | Courtney Eptery   |                  | 389 4th St             |
| 25 | Marta Stewart     |                  | 166 Essex St           |



The following undersigned residents of the area support the issuance of an On - Premises New Liquor License to 106 On The LES, LLC. (Establishment Name to be determined.)

License: New On Premises Full Liquor License.

Hours of Operation: Sunday - Wednesday up to 2AM, Thursday - Saturday up to 4AM.

Address of Premises: 106 Rivington Street, New York, NY 10002

This establishment will be an upscale Bistro / Lounge.

|    | Name             | Signature | Address                 |
|----|------------------|-----------|-------------------------|
| 1  | Ugural Gururic   |           | 202 Ardenk, BK 11322    |
| 2  | Mariora Castillo |           | 116 Stanton St          |
| 3  | genesis Lopez    |           | 116 Stanton St          |
| 4  | Juan Marichan    |           | 106 Rivington St.       |
| 5  | Joseph           |           | 178 Essex St            |
| 6  | Jesus Rosano     |           | 164 Alle St             |
| 7  | Darius Hill      |           | 151 Essex Street        |
| 8  | Chris McHugh     |           | 63 Clinton Street       |
| 9  | SHRUTI DHALWANI  |           | 63 Clinton St.          |
| 10 | Deborah Morris   |           | 116 Stanton St          |
| 11 | Frank DiMassio   |           | 1657 Marwan             |
| 12 | Isabel Lopez     |           | 334 E 9th Street Apt 4N |
| 13 | Christina Lopez  |           | 334 E 9th Street apt 2N |
| 14 | Kelsoa Danner    |           | 105 Stanton St.         |
| 15 | Tony Maronte     |           | 79 Baruch Dr            |
| 16 | Amber            |           | 115 ESSEX ST 5D         |
| 17 | Brandon Morante  |           | 410 Grand St            |
| 18 | Roland Kluge     |           | 133 Essex St Apt 603    |
| 19 | Amy Schneider    |           | 1420 Astor Ave          |
| 20 | Miriam McLomick  |           | 165 Attorney St, NY, NY |
| 21 | Orivel Noble     |           | 250 Mercer St, NY, NY   |
| 22 | Zabshi Family    |           | 144 Stanton street      |
| 23 | Joe Lin          |           | 400 Wyckoff             |
| 24 | Frey Minasi      |           | 178 EAST Broadway       |
| 25 | Maria            |           | 146 E Broad             |



The following undersigned residents of the area support the issuance of an On - Premises New Liquor License to 106 On The LES, LLC. (Establishment Name to be determined.)

License: New On Premises Full Liquor License.

Hours of Operation: Sunday - Wednesday up to 2AM.

Thursday - Saturday up to 4AM.

Address of Premises: 106 Rivington Street, New York, NY 10002

This establishment will be an upscale Bistro / Lounge

|    | Name                | Signature | Address            |
|----|---------------------|-----------|--------------------|
| 1  | Jillian Pearman     |           | 100 Suffolk St     |
| 2  | Amy Yang            |           | 119 Suffolk        |
| 3  | Hannah Tattersall   |           | 98 Suffolk.        |
| 4  | ANTHONY VARGAS      |           | 169 Rivington St   |
| 5  | Ana Corona          |           | 169 Rivington      |
| 6  | Carmelina Rodriguez |           | 169 Rivington St   |
| 7  | Raymond Concepcion  |           | 100 Pitt Street.   |
| 8  | RAY CONCEPCION 3RD  |           | 100 PITT STREET    |
| 9  | SARIS RODRIGUEZ     |           | 240 Madison St     |
| 10 | CARMEN TORRES       |           | 128 Pitt St.       |
| 11 | AMES GEMMITY        |           | 128 Pitt St        |
| 12 | AMANDA RODRIGUEZ    |           | 205 AVE C          |
| 13 | Melody Reid         |           | 709 FDR Drive      |
| 14 | BACHEL NIEVES       |           | 500 East Houston   |
| 15 | SAMIRA NICKMAN      |           | 2058 Union St.     |
| 16 | RAHMYN SAMUELS      |           | 709 FDR Drive      |
| 17 | MAGDY MARTINEZ      |           | 18 Seneca St       |
| 18 | JACKIE FERNANDEZ    |           | 144 New Jersey Ave |
| 19 | LESLIE BRIGHT       |           | 500 East Houston   |
| 20 | FREDA GREEN         |           | 210 East 10 St.    |
| 21 | CHRISTIAN RODRIGUEZ |           | 240 Madison        |
| 22 | Alexandro Rodriguez |           | 210 Stanton        |
| 23 | MARCIAL SAINT-LIS   |           | 100 Pitt Street    |
| 24 | LUIS MENDOZA        |           | 100 Pitt Street    |
| 25 | JASON PERO          |           | 100 Pitt Street    |



The following undersigned residents of the area support the issuance of an On - Premises New Liquor License to 106 On The LES, LLC. (Establishment Name to be determined.)

License: New On Premises Full Liquor License.

Hours of Operation: Sunday - Wednesday up to 2AM.

Thursday - Saturday up to 4AM.

Address of Premises: 106 Rivington Street, New York, NY 10002

This establishment will be an upscale Bistro / Lounge.

|    | Name               | Signature          | Address                  |
|----|--------------------|--------------------|--------------------------|
| 1  | Victoria Pierce    | Victoria Pierce    | 749 FDR DR               |
| 2  | Rocio Diaz         | Rocio Diaz         | 711 FDR DR.              |
| 3  | Aureliano Lopez    | Aureliano Lopez    | 71 Columbia St.          |
| 4  | Zhuleyka           | Zhuleyka           | 72 CLINTON               |
| 5  | Chapman Jim        | Chapman Jim        | 72 Clinton               |
| 6  | Juliana            | Juliana            | 227 E 3rd St             |
| 7  | Hilary Roman       | Hilary Roman       | 55 Clinton St.           |
| 8  | Samuel             | Samuel             | 55 Clinton St            |
| 9  | Michael            | Michael            | 235 E 2 St               |
| 10 | Michael Mitchel    | Michael Mitchel    | 93 Pitt St               |
| 11 | L.K. DOBBS         | L.K. DOBBS         | 93 PITT ST 4F            |
| 12 | A. Martinez        | A. Martinez        | 60 Pitt Street 10002     |
| 13 | Veronica Del Rio   | Veronica Del Rio   | 81 Columbia Street 10002 |
| 14 | Virginia Alicea    | Virginia Alicea    | 81 Columbia St 10002     |
| 15 | Virginia           | Virginia           | 81 Columbia St 10002     |
| 16 | <del>Richard</del> | <del>Richard</del> | <del>24 AVE C</del>      |
| 17 | Richard            | Richard            | 21 AVE C                 |
| 18 | Zachar Washington  | Zachar Washington  | 410 Grand Street         |
| 19 | Jose Banks         | Jose Banks         | 410 Grand Street         |
| 20 | Greg Spear         | Greg Spear         | 33 Essex St              |
| 21 | C. Ocasio          | C. Ocasio          | 24 AVE C                 |
| 22 | Larry Carke        | Larry Carke        | 170 Ave D                |
| 23 | K. Jim             | K. Jim             | 500 E Houston St         |
| 24 | Waki Knight        | Waki Knight        | 210 Stanton St           |
| 25 | Jose Rodriguez     | Jose Rodriguez     | 90 Pitt Street           |



The following undersigned residents of the area support the issuance of an On - Premises New Liquor License to 106 On The LES, LLC. (Establishment Name to be determined.)

License: New On Premises Full Liquor License.

Hours of Operation: Sunday - Wednesday up to 2AM

Thursday - Saturday up to 4AM.

Address of Premises: 106 Rivington Street, New York, NY 10002

This establishment will be an Upscale Bistro / Lounge.

|    | Name               | Signature          | Address                                   |
|----|--------------------|--------------------|---|
| 1  | Efrain Ortiz       | Efrain Ortiz       | 64 baruch Drive                           |
| 2  | JESUS Velasquez    | Jesus Velasquez    | 195 Stanton                               |
| 3  | Robert Cruz        | Robert Cruz        | 195 Stanton                               |
| 4  | MARCOS Smith       | Marcos Smith       | 65 Pitt                                   |
| 5  | José Sanchez       | José Sanchez       | 69 Clinton                                |
| 6  | Diana Cruz         | Diana Cruz         | 844 Clinton St                            |
| 7  | Gregory Moore      | Gregory Moore      | 410 Grand Ave ST                          |
| 8  | LAURE PERRIN       | Laure Perrin       | 126 Rivington St.                         |
| 9  | Mustafa Choudhury  | Mustafa Choudhury  | 100 2nd Ave                               |
| 10 | FRANCISCO LIMBEIRO | Francisco Limbeiro | 6-CLINTON ST.                             |
| 11 | Tele Voelker       | Tele Voelker       | <del>123 Rivington</del><br>123 Rivington |
| 12 | Reynold Moore      | Reynold Moore      | 123 Essex                                 |
| 13 | Alex Matos         | Alex Matos         | 64 Baruch Drive                           |
| 14 | Darion Dalk        | Darion Dalk        | 152 Broome St                             |
| 15 | Stella Bittner     | Stella Bittner     | 42 Allen St                               |
| 16 | Kelvin Mih         | Kelvin Mih         | 170 Rivington                             |
| 17 | Juan Espinal       | Juan Espinal       | 170 Rivington                             |
| 18 | Bahar Karamstein   | Bahar Karamstein   | 113 Rivington St                          |
| 19 | ISIS TORRES        | ISIS TORRES        | 19 Orchard St                             |
| 20 | Rachel Hazen       | Rachel Hazen       | 80 Baruch Drive                           |
| 21 | Janas Custodio     | Janas Custodio     | 120 Suffolk                               |
| 22 | Sonathan Defacrez  | Sonathan Defacrez  | 90 Pitt                                   |
| 23 | Rafaelito Martinez | Rafaelito Martinez | 195 Spring St                             |
| 24 | Michelle Weinbaum  | Michelle Weinbaum  | 150 ALLEN                                 |
| 25 | Carlos Morales     | Carlos Morales     |   |



The following undersigned residents of the area support the issuance of an On - Premises New Liquor License to 106 On The LES, LLC. (Establishment Name to be determined.)

License: New On Premises Full Liquor License.

Hours of Operation: Sunday - Wednesday up to 2AM.

Thursday - Saturday up to 4AM.

Address of Premises: 106 Rivington Street, New York, NY 10002

This establishment will be an upscale Bistro / Lounge.

|    | Name               | Signature   | Address                         |
|----|--------------------|-------------|---------------------------------|
| 1  | Lewis Sanger       | [Signature] | 120 Forbell St. Brooklyn NY     |
| 2  | Larry Robinson     | [Signature] | 151 OCULARD                     |
| 3  | DANIEL QUILES      | [Signature] | 10 HANSON                       |
| 4  | Samuel De Jesus    | [Signature] | 10 Stanton St.                  |
| 5  | Juan De la Cruz    | [Signature] | 42 Rivington St. - New York, NY |
| 6  | Jamyl Holliday     | [Signature] | 60 Pitt St                      |
| 7  | Felix Moreno       | [Signature] | 70 Pitt St                      |
| 8  | Johnson De Jesus   | [Signature] | 223 E 3rd St                    |
| 9  | Eric Diaz          | [Signature] | 387 Grand St.                   |
| 10 | Gaby Echeverry     | [Signature] | 157A-135 Bridge St.             |
| 11 | Mudan Ghauri       | [Signature] | 170 King St                     |
| 12 | Jeremy Feliciano   | [Signature] | 170 King St                     |
| 13 | Michael Padilla    | [Signature] | 40 Gouverneur St                |
| 14 | Ashey Luten        | [Signature] | 85 Stanton                      |
| 15 | Iris S. S. S.      | [Signature] | 105 Stanton                     |
| 16 | Anthia Pacheco     | [Signature] | 10 Stanton St.                  |
| 17 | Emmanuel Rivera    | [Signature] | 205 Ave. C                      |
| 18 | Manuel Vargens     | [Signature] | 296 Delancey St N               |
| 19 | Emmanuel Velazquez | [Signature] | 254 E 4th St                    |
| 20 | Catherine Corchade | [Signature] | 21 First Ave                    |
| 21 | FRANCES VELTZ      | [Signature] | 189 Allen St                    |
| 22 | Kate Warner        | [Signature] | 138 Willow                      |
| 23 | Addy Cahill        | [Signature] | 168 Rivington                   |
| 24 | Kira Allen         | [Signature] | 50 Clinton St.                  |
| 25 | Caitlin Laviana    | [Signature] | 205 E. 4th Street               |



The following undersigned residents of the area support the issuance of an On - Premises New Liquor License to 106 On The LES, LLC. (Establishment Name to be determined.)

11

License: New On Premises Full Liquor License.

Hours of Operation: Sunday - Wednesday up to 2AM.

Thursday - Saturday up to 4AM.

Address of Premises: 106 Rivington Street, New York, NY 10002

This establishment will be an upscale Bistro / Lounge.

|    | Name               | Signature | Address                           |
|----|--------------------|-----------|-----------------------------------|
| 1  | Ronald Moran       |           | 90-96 Stanton                     |
| 2  | Eboni Meade        |           | 146 Essex St.                     |
| 3  | SEAN DAVEY         |           | 42 CLINTON                        |
| 4  | Nanette Rodriguez  |           | 254 3rd Street.                   |
| 5  | Cara Kasich        |           | 146 Stanton                       |
| 6  | John Stanton       |           | 127 Stanton                       |
| 7  | Jova Cewz          |           | 127 Stanton                       |
| 8  | Neal Moller        |           | 127 Stanton <del>Stanton</del>    |
| 9  | Andrew Johnson     |           | 163 Stanton <del>Stanton</del>    |
| 10 | Katymanganella     |           | 163 Stanton St <del>Stanton</del> |
| 11 | Jose Eusebi        |           | 141 143                           |
| 12 | Miguel Holguin     |           | 141-143                           |
| 13 | Phillip Caporano   |           | 141-143                           |
| 14 | Camigan DB         |           | 1101 Broadway                     |
| 15 | WILLIE GONZALEZ    |           | 190 East 2nd Street               |
| 16 | Luis A. TORO       |           | 10 STANTON ST.                    |
| 17 | Adam Delgado       |           | 166 Allen Street                  |
| 18 | Johnella Capellano |           | 740 E 2nd St                      |
| 19 | Angelina Gullino   |           | Stoni Macallan DR Tampa FL        |
| 20 | Jessica Palino     |           | 37-55 QUEENS NY 11275             |
| 21 | Mervy Lora         |           | 555 FDR Drive                     |
| 22 | Chris Montemurro   |           | 125 STANTON ST                    |
| 23 | Quash              |           | 125 Stanton St                    |
| 24 | Luqa Shuler        |           | 140 Marbock St                    |
| 25 |                    |           |                                   |



Following undersigned residents of the area support the issuance of an On - Premises Liquor License to 106 On The LES, LLC. (Establishment Name to be determined.)

License: New On Premises Full Liquor License.

Hours of Operation: Sunday - Wednesday up to 2AM. Thursday - Saturday up to 4AM.

Address of Premises: 106 Rivington Street, New York, NY 10002

This establishment will be an upscale Bistro / Lounge.

|    | Name              | Signature              | Address                           |
|----|-------------------|------------------------|-----------------------------------|
| 1  | Treis Hill        |                        | 158 Rivington St.                 |
| 2  | Diana Puentes     |                        | 325 E. 3 <sup>rd</sup> ST         |
| 3  | James Curran      |                        | 160 34 <sup>th</sup> Street       |
| 4  | Victoria Millin   |                        | 120 E 1 <sup>st</sup> St          |
| 5  | Jared Davis       |                        | 120 E 1 <sup>st</sup> St          |
| 6  | Jimmy Kim         |                        | 113 AV. 7 <sup>th</sup> St.       |
| 7  | Jessica Moe       |                        | 143 Ludlow St.                    |
| 8  | Ronald Moran      |                        | 90-96 Stanton <sup>St</sup>       |
| 9  | Aida Pena         |                        | 280 Madison St.                   |
| 10 | Andrus Nichols    |                        | 141 Ridge St                      |
| 11 | Harry Antons      |                        | 163 Ludlow St #30                 |
| 12 | Joey Sparrow      |                        | 172 Ludlow St.                    |
| 13 | Edwin Gomez       |                        | 185 E 2 <sup>nd</sup> St NY 10009 |
| 14 | Franklyn Veras    |                        | 151 Norfolk Street                |
| 15 | LIRIANO RODOLFO   |                        | 234 Mulberry St. NY.              |
| 16 | Guilte Cruz       | <del>108 Norfolk</del> | 108 NORFOLK                       |
| 17 | Milagros Perez    |                        | 106 NORFOLK                       |
| 18 | D. LTB            |                        | 106 NORFOLK                       |
| 19 | Christian Ronaldo |                        | 90-96 Clinton St.                 |
| 20 | Mercedes Jorda    |                        | 215 - <del>Madison</del> Madison  |
| 21 | Courtney Scott    |                        | 117 Stanton St. #7.               |
| 22 | N. Zabaskale      |                        | 152 Ludlow St. 6A                 |
| 23 | Steph Dale        |                        | 106 Norfolk St                    |
| 24 | J. Alaroli        |                        | 169 Orchard                       |
| 25 |                   |                        |                                   |



The following undersigned residents of the area support the issuance of an On - Premises New Liquor License to 106 On The LES, LLC. (Establishment Name to be determined.)

206

License: New On Premises Full Liquor License.

Hours of Operation: Sunday - Wednesday up to 2AM. Thursday - Saturday up to 4AM.

Address of Premises: 106 Rivington Street, New York, NY 10002

This establishment will be an upscale Bistro / Lounge.

|      | Name               | Signature   | Address                |
|------|--------------------|-------------|------------------------|
| 1    | [Signature]        | [Signature] | 166 Essex              |
| 2    | Maggie [Signature] | [Signature] | 205 - AV - C           |
| 3    | [Signature]        | [Signature] | 144 Suffolk St. N.Y.C. |
| 4    | MARINE Butcher     | [Signature] | 151 NORFOLK ST LUBER   |
| 5    | Tabitha Baker      | [Signature] | 112 Rivington St       |
| 6    | RONALD MORAN       | [Signature] | 90-96 Stanton          |
| 7    | CLAIRE PAPARAZZO   | [Signature] | 166 NORFOLK            |
| 8    | Eric Banks         | [Signature] | 109 Norfolk            |
| 9    | John D'Atene       | [Signature] | 125 Stanton St. N.Y.C. |
| 10   | Stella Santare     | [Signature] | 133 Mulrow             |
| 11   | JOSE SANTIAGO      | [Signature] | 151 ALLEN ST.          |
| 12   | George Steibness   | [Signature] | 105 Eledrick           |
| 13   | Jason Giambi       | [Signature] | 90-96 Stanton          |
| 14   | Carol Ortiz        | [Signature] | 118 Essex St           |
| 15   | Bob Washburn       | [Signature] | 163 WILLOW ST #1C      |
| * 16 | Jesse Breeden      | [Signature] | 113 Luellow St.        |
| 17   | Lauren Merscher    | [Signature] | 279 E Houston St       |
| 18   | Gley James         | [Signature] | 504 Grand St           |
| 19   | Kim Jaus           | [Signature] | 210 Rivington St       |
| 20   | Hannah Mittenbero  | [Signature] | 150 orchard st         |
| 21   | Katherine Nakendak | [Signature] | 725 E. 9TH St.         |
| 22   | Kendall Blom       | [Signature] | 188 WILLOW ST          |
| 23   | LUIS JAVOZ         | [Signature] | 286 South St           |
| 24   | Heather Paige      | [Signature] | 787 Second Ave         |
| 25   | ANN BOBEO          | [Signature] | 513 Grand St.          |



The following undersigned residents of the area support the issuance of an On Premises New Liquor License to 106 On The LES, LLC. (Establishment Name to be determined.)

License: New On Premises Full Liquor License.

Hours of Operation: Sunday - Wednesday up to 2AM.

Thursday - Saturday up to 4AM.

Address of Premises: 106 Rivington Street, New York, NY 10002

This establishment will be an upscale Bistro / Lounge.

|    | Name                  | Signature | Address                        |
|----|-----------------------|-----------|--------------------------------|
| 1  | Josh Robery           |           | 129 E 5th St 10003             |
| 2  | James Fred            |           | 150 10th Ave                   |
| *3 | Deia Verjhen          |           | 785 Ridge                      |
| *4 | Rachel Rosenberg      |           | 78 Ridge                       |
| 5  | B. Caldwell           |           | 17th Avenue                    |
| 6  | John Duna             |           | <del>Stanton</del> Stanton Ave |
| 7  | Fereyde German        |           | 90-96 Stanton St               |
| 8  | Jessica Miller        |           | 287 E. Houston St.             |
| 9  | Ralph Nicastro        |           | 110 Ludlow St                  |
| 10 | Landon Web            |           | 158 Ludlow St.                 |
| 11 | Nick Joseph           |           | 152 Ludlow                     |
| 12 | Kayla Batista         |           | 643 East 13 Street             |
| 13 | Haniel Acuino Rosario |           | 749 EDR Drive 9H 10009         |
| 14 | Raymond Velazquez     |           | 466 10th Street.               |
| 15 | Frank Anthony         |           | 164 Ludlow St                  |
| 16 | Matt Pollock          |           | 100 W 10th St #3               |
| 17 | Eddie Hernandez       |           | 61 Clinton St Apt 10           |
| 18 | Samatha Santana       |           | 309 Houston Apt 6A             |
| 19 | Allan Fox             |           | 195 Stanton St.                |
| 20 | K. Weyner             |           | 137 Ludlow                     |
| 21 | Adam Stated           |           | 153 Ludlow St                  |
| 22 | Venecia Sante         |           | 4034 Fl B                      |
| 23 | Christa Calles        |           | 141 Towner St.                 |
| 24 | Debra                 |           | 157 Suffolk St.                |
| 25 | Maribeth              |           | 167 Stanton                    |



The following undersigned residents of the area support the issuance of an On - Premises New Liquor License to 106 On The LES, LLC. (Establishment Name to be determined.)

License: New On Premises Full Liquor License.

Hours of Operation: Sunday - Wednesday up to 2AM. Thursday - Saturday up to 4AM.

Address of Premises: 106 Rivington Street, New York, NY 10002

This establishment will be an upscale Bistro / Lounge.

|    | Name                | Signature    | Address                       |
|----|---------------------|--------------|-------------------------------|
| 1  | Enrique Peña        | Enrique Peña | 151 Norfolk St N.Y.C 10002    |
| 2  | SZEKI               | [Signature]  | 137 Rivington St. 10002       |
| 3  | Mike Lopez          | [Signature]  | 159 Rivington St 10002 apt 4B |
| 4  | Luis Santelices     | [Signature]  | 156 Allen St. 10002           |
| 5  | Jesse Ruiz          | [Signature]  | 116 Suffolk Rivington         |
| 6  | JUAN BUENOS         | Juan Buenos  | 440 GRAND ST 10002            |
| 7  | Edgar Richardson    | [Signature]  | 103 Clinton 10002             |
| 8  | Angel L. Santelices | [Signature]  | 156 Allen St. 10002           |
| 9  | GAUDHI De Sedas     | [Signature]  | 107 SUFFOLK ST 10002          |
| 10 | BART Thompson       | [Signature]  | 46 ALLEN St. 10002            |
| 11 | Xandra Stegmaier    | [Signature]  | 99 Avenue B.                  |
| 12 | EUGENE QUICENATION  | [Signature]  | 102 NORFOLK ST NYC            |
| 13 | Kunle Martins       | [Signature]  | 158 Rivington St.             |
| 14 | Miguel Puelles      | [Signature]  | 325 E. Houston #8 NYC 10002   |
| 15 | Miguel Reyes        | [Signature]  | 460 Grand St. 10002           |
| 16 | Joe Vargan          | [Signature]  | 116 Suffolk St. 10002         |
| 17 | Juan Nunez          | [Signature]  | 112 SUFFOLK ST. 10002         |
| 18 | Victor Nunez        | [Signature]  | 122 Suffolk St. 10002         |
| 19 | Nora Brown          | [Signature]  | 102 SUFFOLK ST.               |
| 20 | Kate Miller         | [Signature]  | 100 Suffolk Street 10002      |
| 21 | Joe Flotron         | [Signature]  | 151 Ludlow St Apt 1           |
| 22 | Chris Grotz         | [Signature]  | 106 Ridge St 3B               |
| 23 | Patricia Childs     | [Signature]  | 15 Palisade Ave Jr NYC 10002  |
| 24 | Patrick Harrison    | [Signature]  | 113 Clinton St Apt 1C         |
| 25 | STEPHEN BRADY       | [Signature]  | 85 PITT ST #20                |



The following undersigned residents of the area support the issuance of an On - Premises New Liquor License to 106 On The LES, LLC. (Establishment Name to be determined.)

License: New On Premises Full Liquor License.

Hours of Operation: Sunday - Wednesday up to 2AM. Thursday - Saturday up to 4AM.

Address of Premises: 106 Rivington Street, New York, NY 10002

This establishment will be an upscale Bistro / Lounge.

|    | Name                | Signature | Address                             |
|----|---------------------|-----------|-------------------------------------|
| 1  | JOSE MARTE          |           | 168 NORFOLK ST <sup>10002</sup> NYC |
| 2  | Aurelio Malave      |           | 6 Clinton St 10002 NYC              |
| 3  | Nelson Pena         |           | 138 Ludlow St New York 10009        |
| 4  | LUIS JAVIER         |           | 151 North 11th St.                  |
| 5  | Aurelio Perez       |           | 45 Clinton St                       |
| 6  | EDUARDO T. CONTRA   |           | 98 Suffolk St 10002                 |
| 7  | Tim Archibald       |           | 411 W 45th St.                      |
| 8  | Ashley Futterer     |           | 99 SUFFOLK NYC                      |
| 9  | Natalia Ayari       |           | 167 Suffolk Street, 10002           |
| 10 | Juliana Cantely     |           | 99 SUFFOLK ST NYC                   |
| 11 | D. Ferrago          |           | 116 Suffolk St                      |
| 12 | Margianita Lopez    |           | 118 Essex St                        |
| 13 | Adam Atlas          |           | 158 Rivington St                    |
| 14 | Melissa Lopez Leach |           | 105 Stanton St                      |
| 15 | Gianni E. Lewis     |           | 10 Stanton St NYC                   |
| 16 | Brony               |           | PO BOX 1337, 10009                  |
| 17 | Romeo Pedal         |           | 11 Richmond Place NYC, 10007        |
| 18 | Diana G. Ozer       |           | 139 Norfolk St                      |
| 19 | Jim Torrey          |           | 146 Stanton #13                     |
| 20 | Abraham             |           | 188 Ludlow St.                      |
| 21 | Maura Leonard Diet  |           | 181 E Houston                       |
| 22 | Melissa Jimenez     |           | 181 E Houston                       |
| 23 | Carolina Cortes     |           | 181 E Houston                       |
| 24 | Jerse Spaulding     |           | 188 Ludlow St                       |
| 25 |                     |           |                                     |



The following undersigned residents of the area support the issuance of an On - Premises New Liquor License to 106 On The LES, LLC. (Establishment Name to be determined.)

License: New On Premises Full Liquor License.

Hours of Operation: Sunday - Wednesday up to 2AM. Thursday - Saturday up to 4AM.

Address of Premises: 106 Rivington Street, New York, NY 10002

This establishment will be an upscale Bistro / Lounge.



|    | Name             | Signature               | Address                              |
|----|------------------|-------------------------|--------------------------------------|
| 1  | B. Caldwell      | <i>B. Caldwell</i>      | 171 Attorney St.                     |
| 2  | M-LEVINE         | <i>M. Levine</i>        | 133 ESSEX ST                         |
| 3  | J. Chung         | <i>J. Chung</i>         | 133 Essex St                         |
| 4  | J. Garcia        | <i>J. Garcia</i>        | 100 Pitt St                          |
| 5  | F. Iglesias      | <i>F. Iglesias</i>      | <del>399</del> 210 Stanton St.       |
| 6  | Mike Perez       | <i>Mike Perez</i>       | 19 Pitt ST.                          |
| 7  | Kevin Liz        | <i>Kevin Liz</i>        | 19 Pitt ST.                          |
| 8  | Carin Dalma      | <i>Carin Dalma</i>      | 157 Stanton                          |
| 9  | Carolina Meyer   | <i>Car. Meyer</i>       |                                      |
| 10 | Patricio Nunez   | <i>Patricio Nunez</i>   | 157 Suffolk Street                   |
| 11 | Juan Crist       | <i>Juan Crist</i>       | 37 - Clinton St Apt 10               |
| 12 | Nelson Guerrero  | <i>Nelson Guerrero</i>  | 153 Essex St                         |
| 13 | Kathy Duran      | <i>Kathy Duran</i>      | 10 Stanton Apt 8m                    |
| 14 | Nikki Belafesa   | <i>Nikki Belafesa</i>   | 118 Eldridge Street                  |
| 15 | Ashley B.        | <i>Ashley B.</i>        | 118 Eldridge Street                  |
| 16 | Vesenia Vargas   | <i>V. Vargas</i>        | 118 Ave D                            |
| 17 | Jonathan Feldman | <i>Jonathan Feldman</i> | 168 Ludlow St                        |
| 18 | ERICA RODRIGUEZ  | <i>Erica Rodriguez</i>  | <del>77</del> 77 Columbia St, NY, NY |
| 19 | Erwin Quirana    | <i>Erwin Quirana</i>    | <del>292</del> 29 ESSEX              |
| 20 | Shauna Vargas    | <i>Shauna Vargas</i>    | 292 Delancey St                      |
| 21 | Emmanuel Acuna   | <i>Emmanuel Acuna</i>   | 157 Stanton St.                      |
| 22 |                  |                         |                                      |
| 23 |                  |                         |                                      |
| 24 |                  |                         |                                      |
| 25 |                  |                         |                                      |



27 36 37

The following undersigned residents of the area support the issuance of an On - Premises New Liquor License to 106 On The LES, LLC. (Establishment Name to be determined.)

AO  AO

License: New On Premises Full Liquor License.

Hours of Operation: Sunday - Wednesday up to 2AM. Thursday - Saturday up to 4AM.

Address of Premises: 106 Rivington Street, New York, NY 10002

This establishment will be an upscale Bistro / Lounge.

|    | Name              | Signature      | Address               |
|----|-------------------|----------------|-----------------------|
| 1  | Jan Mercado       |                | 167 Stanton Ave       |
| 2  | Arnold S. Vasquez |                | 222 Essex St          |
| 3  | Karl Pawlowski    |                | 90 Stanton St.        |
| 4  | Mary Hermes       | Mary Hermes    | 95 Pitt St.           |
| 5  | Rachel Roberts    | Rachel Roberts | 170 Ludlow St.        |
| 6  | Mow Wong          | Mow Wong       | 188 Ludlow St.        |
| 7  | Janett Abu        |                | 189 Allen St          |
| 8  | Isabel Noiel      |                | 140 Orchard St.       |
| 9  | Morgan Hernandez  |                | 65 Rivington St       |
| 10 |                   |                | 154 Ludlow St         |
| 11 | Allyp Tu          |                | 115 Essex             |
| 12 | Rachel Vanisako   |                | 63 Clinton St.        |
| 13 |                   |                |                       |
| 14 |                   |                |                       |
| 15 |                   |                |                       |
| 16 |                   |                |                       |
| 17 |                   |                |                       |
| 18 |                   |                |                       |
| 19 |                   |                |                       |
| 20 |                   |                | 287                   |
| 21 |                   |                | 602 0034              |
| 22 | Aleksy Sizov      |                | 153 Norfolk #H, 10002 |
| 23 | Chloe Munnosh     |                | 153 NORFOLK           |
| 24 | Kristie R         |                | 15 Rutgers St         |
| 25 |                   |                |                       |



...undersigned residents of the area support the issuance of an On - Pre  
 quor License to 106 On The LES, LLC. (Establishment Name to be determined.)

se: New On Premises Full Liquor License.

rs of Operation: Sunday - Wednesday up to 2AM.

Thursday - Saturday up to 4AM.

dress of Premises: 106 Rivington Street, New York, NY 10002

his establishment will be an upscale Bistro / Lounge.

Handwritten marks on the left margin: a checkmark and the number '7'.

Handwritten mark on the left margin: the number '10'.

|    | Name               | Signature               | Address                  |
|----|--------------------|-------------------------|--------------------------|
| 1  | Juan Mercado       | Juan Mercado            | 151 Essex St             |
| 2  | Martin Pardo       | <del>Juan Mercado</del> | 151 Essex St             |
| 3  | Maximo Noya        | <del>Juan Mercado</del> | 172 9th                  |
| 4  | Jonathan Rodriguez | Jonathan Rodriguez      | 172 Foreyth St           |
| 5  | Julia Smith        | Julia Smith             | 108 STANTON ST           |
| 6  | Edesmond           | Edesmond                | 108 STANTON ST           |
| 7  | Suhelde Rodriguez  | Suhelde Rodriguez       | 138 Orchard              |
| 8  | Cery Lopez         | Cery Lopez              | 202 Rivington St, Apt 3A |
| 9  | Zach & Kazin       | Zach Kazin              | 120 Ridge St, Apt 4A     |
| 10 | Michael Whitney    | Michael Whitney         | 132 Ludlow St.           |
| 11 | Laura Balspiner    | Laura Balspiner         | 484 Broome St.           |
| 12 | Chris Kodal        | Chris Kodal             | 188 Ludlow St. (21H)     |
| 13 | Chris Collado      | Christopher Collado     | 80 Baruch Dr. Apt 4C     |
| 14 | Victor Torres      | Victor Torres           | 103 elston street 4C     |
| 15 | Ricky RIAN         | Ricky RIAN              | 175 STANTON              |
| 16 |                    |                         |                          |
| 17 |                    |                         |                          |
| 18 |                    |                         |                          |
| 19 |                    |                         |                          |
| 20 |                    |                         |                          |
| 21 |                    |                         |                          |
| 22 |                    |                         |                          |
| 23 |                    |                         |                          |
| 24 |                    |                         |                          |
| 25 |                    |                         |                          |



Following undersigned residents of the area support the issuance of an On - Premises Liquor License to 106 On The LES, LLC. (Establishment Name to be determined.)

License: New On Premises Full Liquor License.

Days of Operation: Sunday - Wednesday up to 2AM.

Thursday - Saturday up to 4AM.

Address of Premises: 106 Rivington Street, New York, NY 10002

This establishment will be an upscale Bistro / Lounge.

|    | Name                | Signature | Address               |
|----|---------------------|-----------|-----------------------|
| 1  | M HERRERA           |           | 306 RIVINGTON ST #302 |
| 2  | Andrew Kasin        |           | 99 Suffolk St 10002   |
| 3  | greta g             |           | 161 Rivington St.     |
| 4  | MARCELO C. TMO.     |           | 104 STANTON ST.       |
| 5  | J. Drucker          |           | 500A GRAND ST         |
| 6  | WILL ANDERSEN       |           | 301 RIVINGTON ST.     |
| 7  | Kiera Waych         |           | 301 RIVINGTON ST.     |
| 8  | J. C.               |           | 112 Rivington St      |
| 9  | Sarah Sturt         |           | 151 Ridge St.         |
| 10 | ANDREW TUNDAN       |           | 135 RIVINGTON ST      |
| 11 | JASMIN TSAI         |           | 170A SUFFOLK ST       |
| 12 | ANIE'SHIA WASHBURN  |           | 77 Columbia St #108   |
| 13 | Daniel Quihones     |           | 86 Clinton St. Apt. 3 |
| 14 | Aphilde Coene       |           | Ridge Street          |
| 15 | ALEX VARELA         |           | 250 EAST HOUSTON ST.  |
| 16 | Judi Sador          |           | 100 Ridge St Apt 1B   |
| 17 | David McGowan       |           | 99 Suffolk St, #2     |
| 18 | Brenda Amador       |           | 107 70 Pitt St.       |
| 19 | JULIA POTOLOVA      |           | 85 Columbia St, #9    |
| 20 | Rosario Pagan       |           | 70 PPSW Bklyn         |
| 21 | JACQUELINE MONTEADO |           | 70 PPSW, BKLYN        |
| 22 | BEN GRAY            |           | 287 E HOUSTON         |
| 23 | GREGORY POLIS       |           | 35 CLINTON ST.        |
| 24 | Trainer Ruiz        |           | 161 Rivington St.     |
| 25 | Harding Royster     |           | 166 Suffolk St. 2A    |



Following undersigned residents of the area support the issuance of an On - Premises  
 License to 106 On The LES, LLC. (Establishment Name to be determined.)

License: New On Premises Full Liquor License.

Thursday - Saturday up to 4AM.

Hours of Operation: Sunday - Wednesday up to 2AM.

Address of Premises: 106 Rivington Street, New York, NY 10002

This establishment will be an upscale Bistro / Lounge.

|    | Name             | Signature        | Address                 |
|----|------------------|------------------|-------------------------|
| 1  | Nuri Liz         |                  | 122 Suffolk St.         |
| 2  | Brian Perez      |                  | 141 Attorney St.        |
| 3  | Pony Moronta     |                  | 79 Baruch Dr.           |
| 4  | DAVID DIAZ       |                  | 107 Delancey            |
| 5  | DIANA Arriaga    |                  | 280 MADISON             |
| 6  | Ben Fleming      |                  | 297 Clinton St.         |
| 7  | Hallie van Ammon |                  | 802 Clinton             |
| 8  | Deanna Nolasco   |                  | 161 Rivington St.       |
| 9  | DAVE Currence    |                  | 133 Norfolk St. #3B     |
| 10 | Heather Raphael  |                  | 61 Clinton St #61 10002 |
| 11 | Jason Rivera     |                  | 114 Suffolk St.         |
| 12 | Brian Biskun     |                  | 222 HENRY ST            |
| 13 | JOSE Marinces    |                  | 410 GRAND ST.           |
| 14 | Scott Harris     |                  | 176 Stanton St.         |
| 15 | Ed Brown         |                  | 317 West 21st           |
| 16 | Vaughn Vance     |                  | 27 West 22              |
| 17 | Morgan Williams  |                  | 315 Grade St.           |
| 18 | <del>_____</del> | <del>_____</del> | 210 West 14th           |
| 19 | <del>_____</del> | <del>_____</del> | 175 Rivington           |
| 20 | JJ Bees          |                  | 65 Clinton Square       |
| 21 | Gregory Robinson |                  | 161 Rivington St.       |
| 22 | William Herz     |                  | 20 CLINTON ST.          |
| 23 | Edwin Caballero  |                  | 115 RIVINGTON           |
| 24 | JIMMY K          |                  | 145 Rivington           |
| 25 |                  |                  | 222 Henry               |




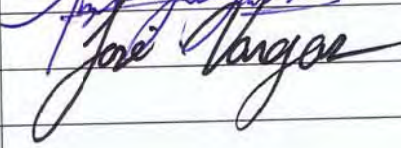
The following undersigned residents of the area support the issuance of an On - Premises Full Liquor License to 106 On The LES, LLC. (Establishment Name to be determined.)

License: New On Premises Full Liquor License.

Hours of Operation: Sunday - Wednesday up to 2AM. Thursday - Saturday up to 4AM.

Address of Premises: 106 Rivington Street, New York, NY 10002

This establishment will be an upscale Bistro Restaurant - Lounge.

|    | <u>Name</u>         | <u>Signature</u>  | <u>Address</u>  |
|----|---------------------|---|-----------------|
| 1  | Angel L. Santelises |  | 122 Suffolk St. |
| 2  | Jose Vargas         |  | 116 Suffolk St. |
| 3  |                     |   |                 |
| 4  |                     |   |                 |
| 5  |                     |   |                 |
| 6  |                     |   |                 |
| 7  |                     |   |                 |
| 8  |                     |   |                 |
| 9  |                     |   |                 |
| 10 |                     |   |                 |
| 11 |                     |   |                 |
| 12 |                     |   |                 |
| 13 |                     |   |                 |
| 14 |                     |   |                 |
| 15 |                     |   |                 |
| 16 |                     |   |                 |
| 17 |                     |   |                 |
| 18 |                     |   |                 |
| 19 |                     |   |                 |
| 20 |                     |   |                 |
| 21 |                     |   |                 |
| 22 |                     |   |                 |
| 23 |                     |   |                 |
| 24 |                     |   |                 |
| 25 |                     |   |                 |



## ATTENTION RESIDENTS & NEIGHBORS

**105 ON THE L.E.S., LLC (ESTABLISHMENT NAME: TBD) 212-512-9217**  
Company/DBA Name and Contact Number for Questions

Plans to open a

### RESTAURANT

(Please choose) Bar / Restaurant / Club / Casino / Liquor Store / Wholesale  
Please indicate if there will be a Sidewalk Cafe or Backyard Garden

at the following location

**105 RIVINGTON STREET**

Street Number and Street Name

This establishment is seeking a license to serve

### BEER / WINE & LIQUOR

Beer & Wine or Beer / Wine & Liquor

There will be an opportunity for public comment on

Monday, September 10, 2012 at 5:30PM  
JASA/GREEN Residence at 200 East 5th Street

Date / Time / Location

**JOSE O. RODRIGUEZ / FCNYC132@GMAIL.COM**  
Assistant General Jurisdiction

**AI COMMUNITY BOARD 3**

**5LA & DCA Licensing Committee Meeting**  
CB3, Manhattan - 50 East 4th Street - New York, NY 10003 - 212-533-5300  
[info@cb3manhattan.org](mailto:info@cb3manhattan.org) - [www.cb3manhattan.org](http://www.cb3manhattan.org)



# Mitt gets 'Dirty' on Obama

# FEELIN' LUCKY, PUNK?



PHOTO BY [unreadable]





DINAR

DINAR  
DINARA



Forbes Magazine

LOF

NEW YORK

BEAT

ATTENTION RESIDENTS & VISITORS

NEW YORK POST

Mitt gets 'Dirty' on Obama

FEELIN' LUCKY, PUNK?

Handwritten graffiti in black ink on the wall below the stairs.





ORIGINAL OWN

CANDIES

ECONOMYCANDY

108 RIVINGTON

ECONOMY CANDY

108

DINAR

































