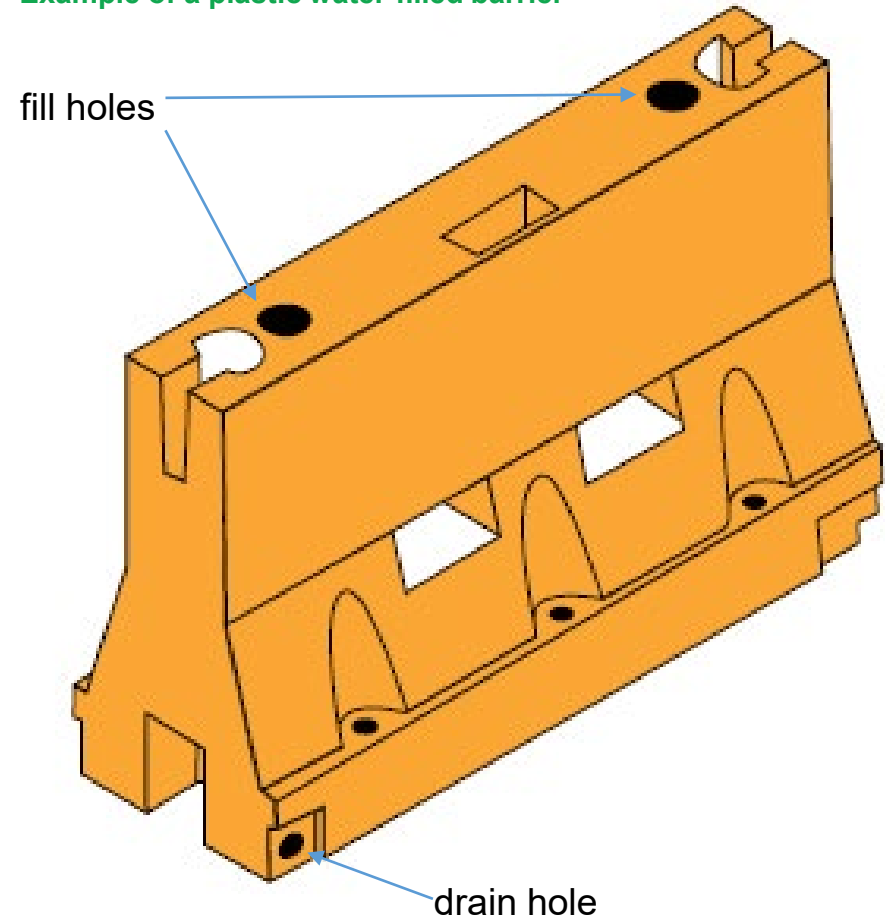


Plastic Water-Filled Barriers How-To's

The image to the right is an example of what the DOT-provided plastic barrier may look like. Here's what you need to do next in order for the barrier to be effective:

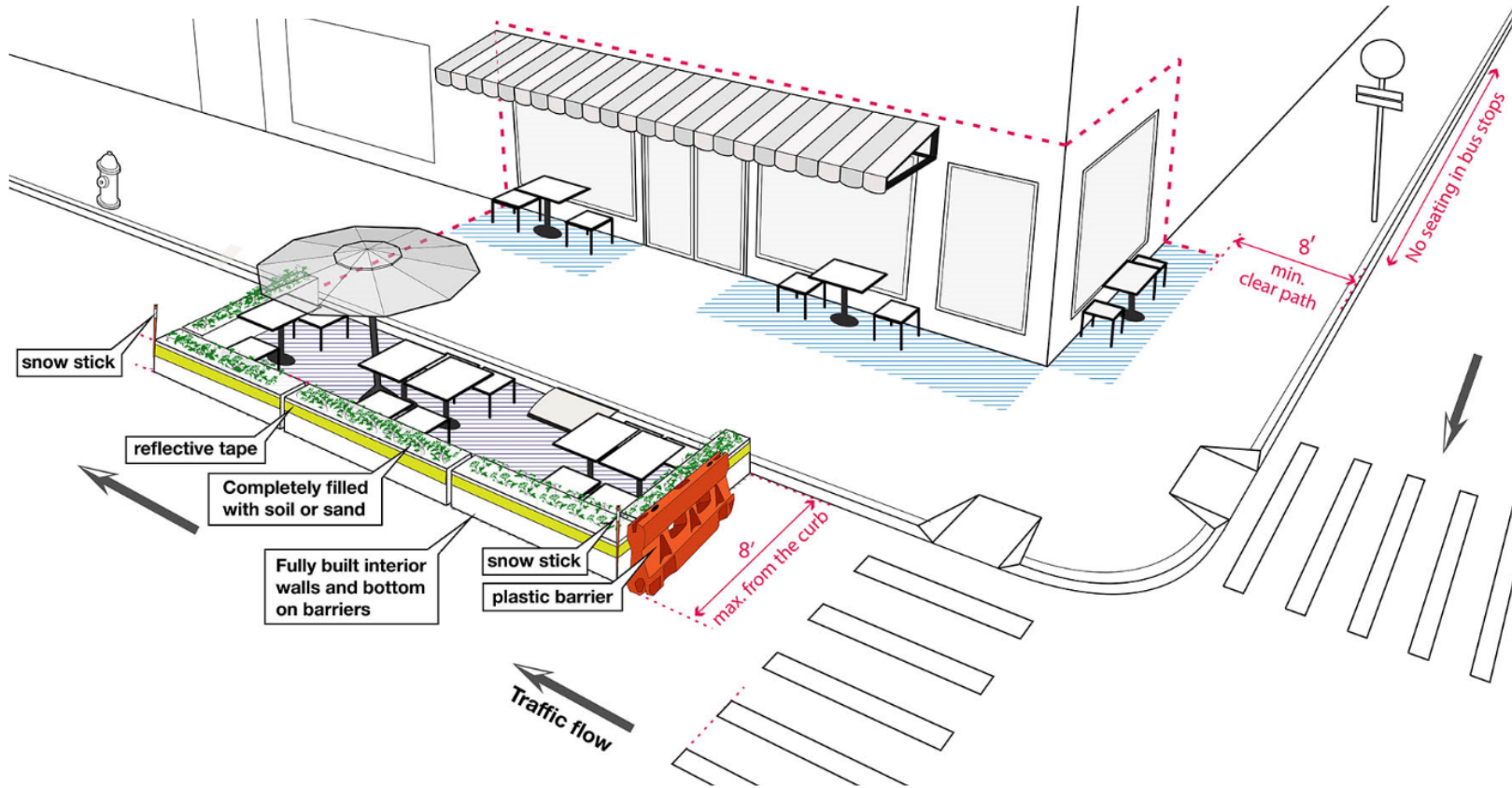
- Place it against your roadway seating barrier that is facing oncoming traffic (see diagram on the next page).
- Fill it with water, plus about 100 pounds of rock salt to prevent freezing. Rock salt can be purchased at many specialty, hardware, and home improvement stores both online and in person.
- Make sure all caps are in place and firmly closed.

Example of a plastic water-filled barrier



Plastic Water-Filled Barriers How-To's

Example of an appropriate setup



REMINDER

By December 15, 2020:

- If required for your restaurant, the plastic barrier must be positioned and filled according to these instructions.
- All restaurant-constructed, 18-inch roadway barriers must have fully built interior walls and bottom that are completely filled with soil or sand.
- Continuous reflector tape must be added along the top outside edges of restaurant-constructed, 18-inch roadway barriers.
- Snow sticks must be added to the corners of the barriers facing traffic.

Please submit any questions here:

<https://on.nyc.gov/2DIH4sT>