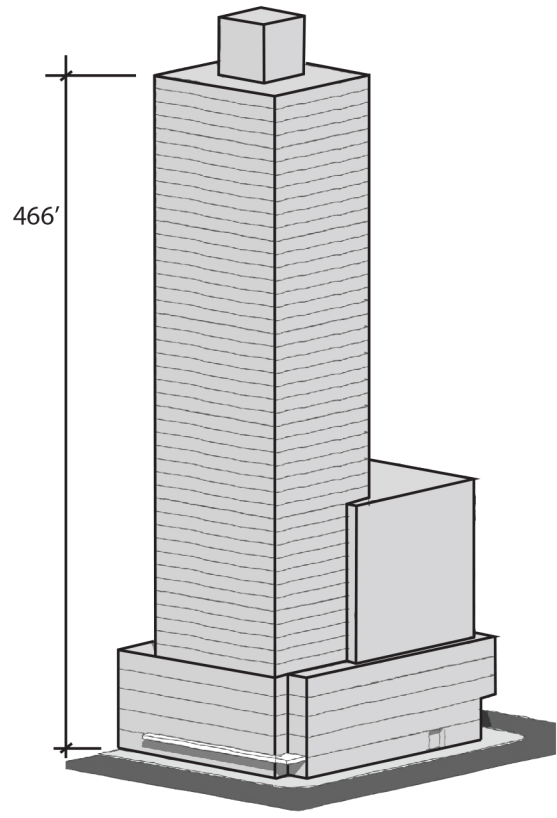
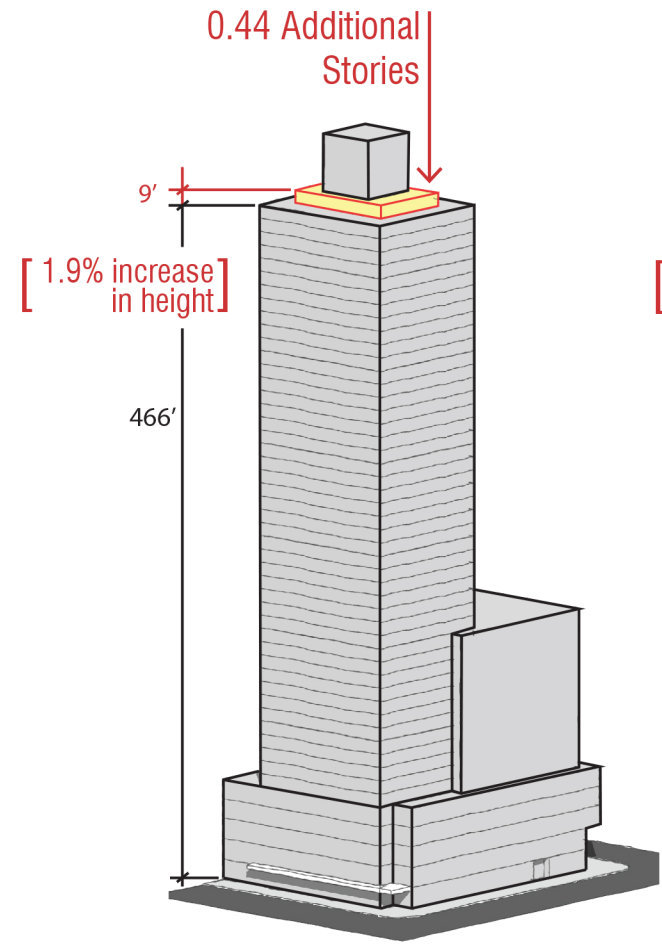


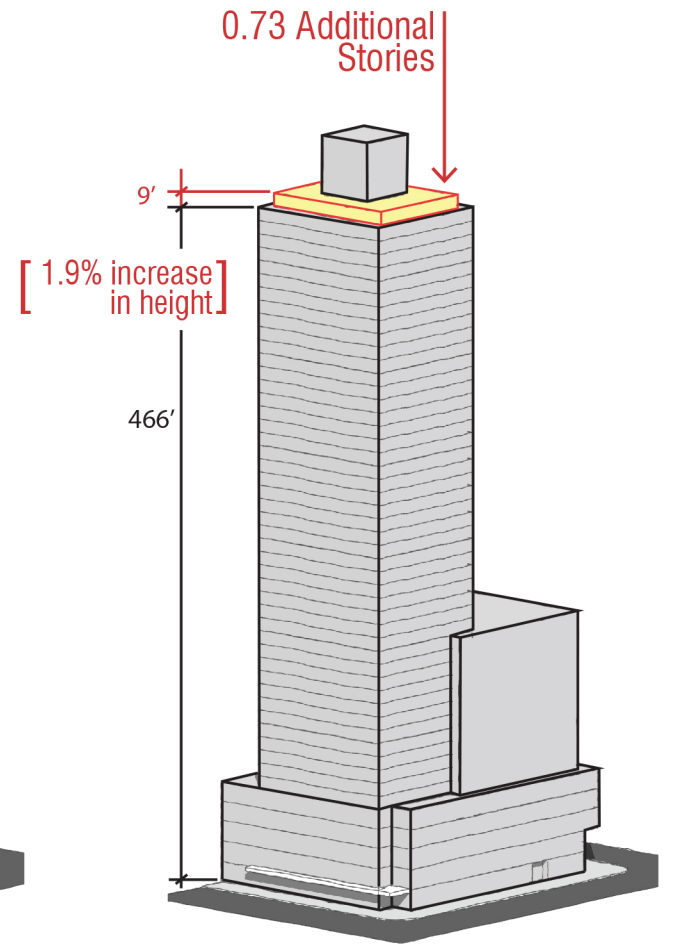
NO ACTION SCENARIO
no additional fire safety measures



WITH ACTION SCENARIO #1
All Occupant Evacuation Elevators



WITH ACTION SCENARIO #2
Expanded Stairwells and limited
number of Occupant Evacuation Elevators



WITH ACTION SCENARIO #3
Additional Stairwell