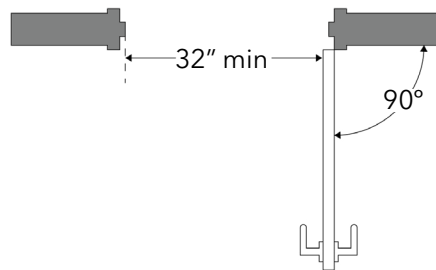


Gaining Access into a Business

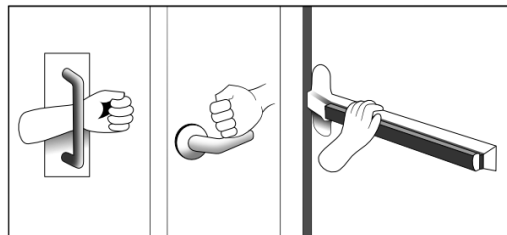
(Note this is not a complete accessibility survey document and only identifies a few key elements)

Entrances

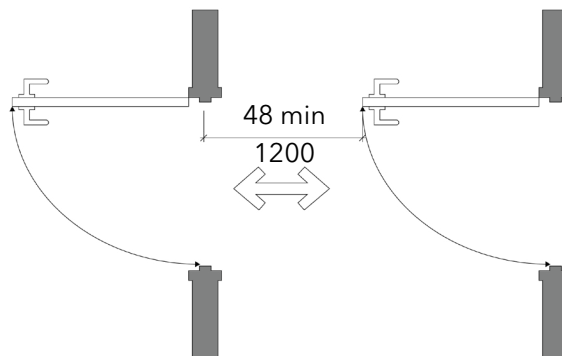
1. Is the main entrance accessible (accessed by either a ramp or lift or at grade)?
2. Is the clear opening of the accessible entrance door at least 32 inches wide (measured between the face of the door and the stop with the door open 90 degrees)?



3. Is the door equipped with hardware that is operable with one hand and does not require tight grasping, pinching or twisting of the wrist?



4. If there is a vestibule, is the distance between the doors at least 48 inches plus the width of the doors when swinging into the space?

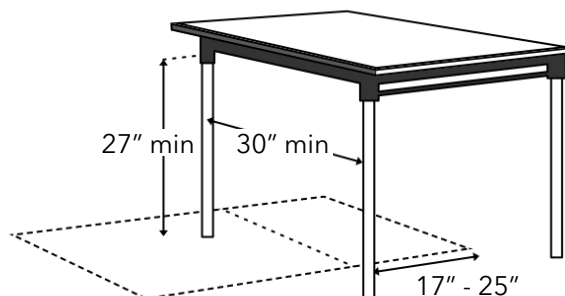


Tables and Bars

1. Is the top of the accessible surface no less than 28 inches and no greater than 34 inches above the floor?



2. Is there a clear floor space at least 30 inches wide by at least 48 inches long that extends no less than 17 inches and no more than 25 inches under the surface and at least 27 inches high?



Note: Tables with pedestals generally do not comply.

**This document is a guide to determine the level of accessibility for certain features of a business. To ensure the business complies with all applicable laws and codes including providing accessible restrooms, access to goods and services, and effective communication; we recommend contacting your attorney, architect, or accessibility consultant.*