

PIN: 072201809CPD

FENCE CONSTRUCTION REQUIREMENTS CONTRACT FOR VARIOUS NYC DEPARTMENT OF CORRECTION FACILITIES

LIST OF DRAWINGS

- A-0 TITLE DRAWING
- A-1 FENCE TYPE 1A @ 14'-0" VERTICAL HEIGHT PERIMETER FENCE
- A-2 FENCE TYPE 1B @ 12'-0" VERTICAL HEIGHT PERIMETER FENCE
- A-3 FENCE TYPES 2 2A, 2B, & 2C @12'-0" VERTICAL HEIGHT FENCE
- A-4 FENCE TYPES 3 & 3A @ 8'-0" VERTICAL HEIGHT
- A-5 FENCE TYPE 4 @ 4'-0" HEIGHT
- A-6 FENCE TYPE 5 @ 10'-0" HIGH VERTICAL POST ROOF MOUNTED
- A-7 GATE TYPES 1 & 1A @ 14'-0" VERTICAL HEIGHT
- A-8 GATE TYPE 2A @ 14'-0" VERTICAL HEIGHT
- A-9 GATE TYPE 2B, 2C, & 2D @ 12'-0" VERTICAL HEIGHT
- A-10 GATE TYPE 2E @ 12'-0" VERTICAL HEIGHT
- A-11 GATE TYPE 3 & 3A @ 8'-0" VERTICAL HEIGHT
- A-12 GATE TYPE 4, 4A,4B & 4C PEDESTRIAN GATES WITH & WITHOUT CUFFING PORT
- A-13 CONCRETE FOOTING & BOLLARD DETAILS
- A-14 ASPHALT / CONCRETE PAVEMENT & CURB DETAILS
- A-15 DROP-CURB & ADA HANDICAP PARKING STRIPING / SIGN DETAILS
- A-16 FENCE DETAILS



THE CITY OF NEW YORK
DEPARTMENT OF CORRECTION
 DIVISION OF CAPITAL PROJECT
 PLANNING AND DEVELOPMENT
 DESIGN UNIT

TITLE/PROJECT/LOCATION
FENCING REQUIREMENT CONTRACT

TITLE DRAWING

REVISION DATE:

PROJECT MANAGER:
J.C.M.

DIRECTOR:
HJF

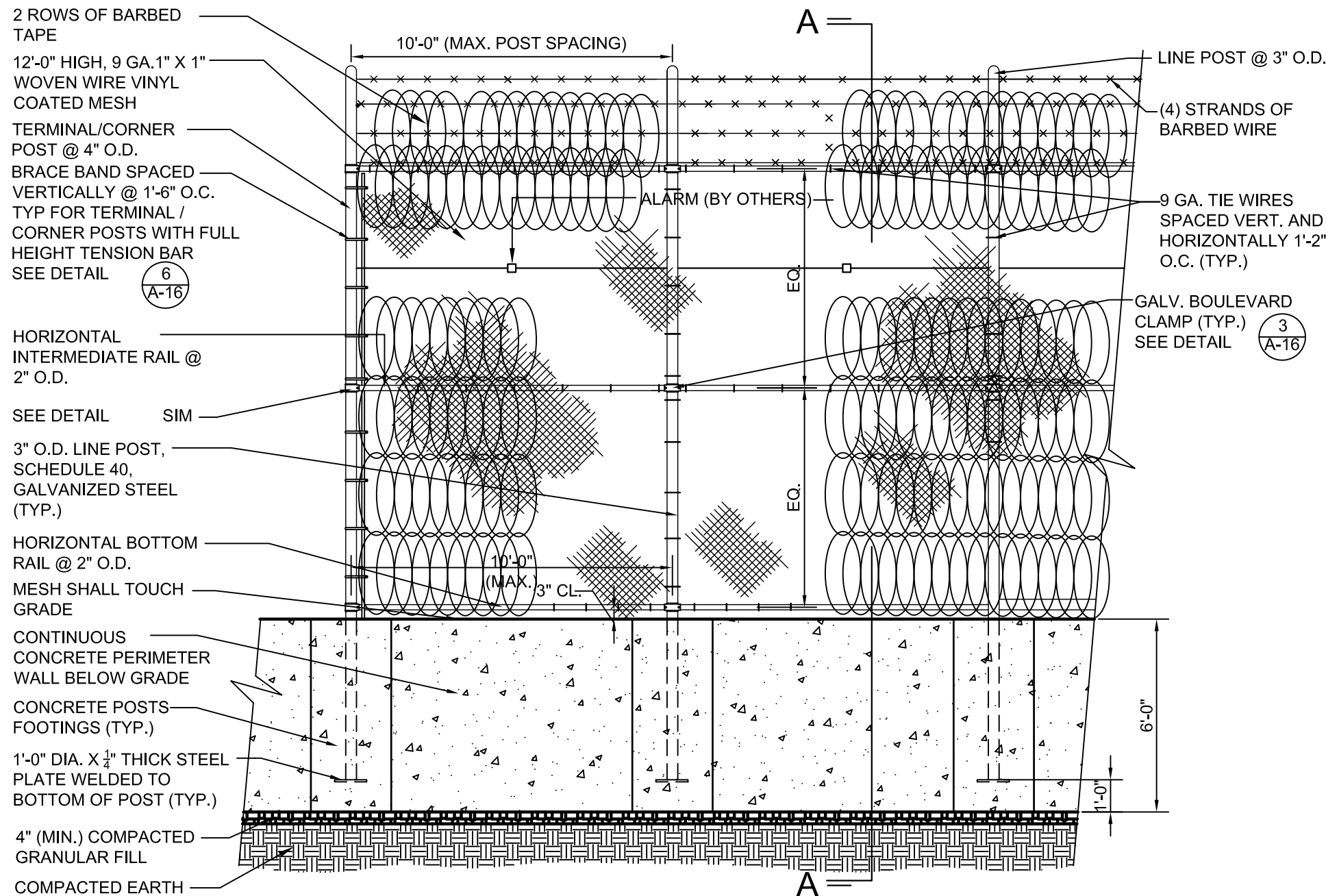
PIN: 072201809CPD

DATE:
SEPT. 5, 2018

DRAWN BY:
JCM

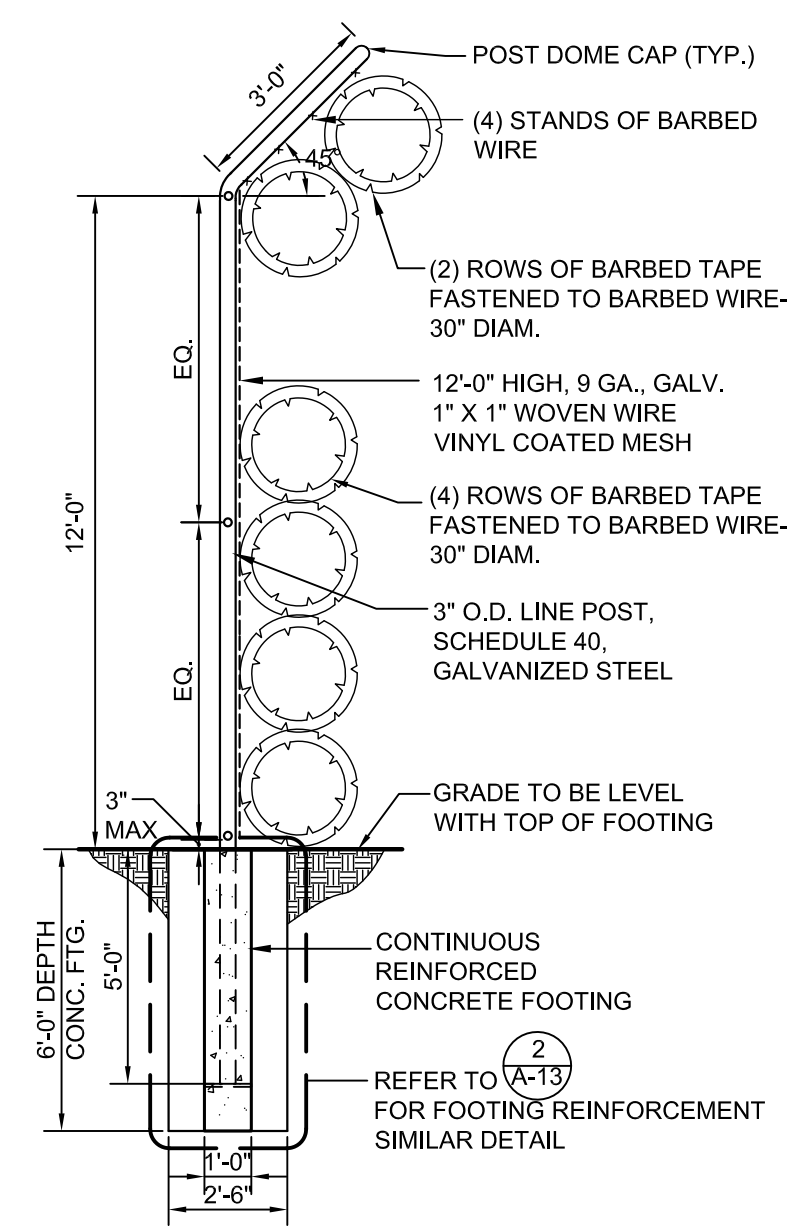
SCALE:
AS SHOWN

DRAWING NO:
A-0



1 FENCE TYPE 1B @ 12'-0" VERTICAL HEIGHT PERIMETER FENCE
 (9 GA, GALV., 1" X 1' WOVEN WIRE MESH VINYL COATED)
 SCALE: 1/4" = 1'-0"

- NOTES REGARDING FOOTINGS:**
1. Use $f_y = 60$ KSI FOR REINFORCING BARS
 2. USE $f_c = 4000$ PSI FOR CONCRETE
 3. VERTICAL FOOTING REINFORCING BARS WITH BENDS AT TOP AND BOTTOM OF FOOTING ARE TO HAVE 3" OF CONCRETE COVER ALL AROUND



SECTION A-A
 SCALE: 1/4" = 1'-0"
 0' 1' 2' 3' 4' 5' 10'

REVISION DATE:	PROJECT MANAGER: J.C.M.	DIRECTOR: H.J.F.	DRAWN BY: JCM	SCALE: AS SHOWN	DRAWING NO: A-2
TITLE/PROJECT/LOCATION FENCING REQUIREMENT CONTRACT FENCE TYPE 1B @ 12'-0" VERTICAL HEIGHT PERIMETER FENCE	PIN: 072201809CPD	DATE: SEPT. 5, 2018			
THE CITY OF NEW YORK DEPARTMENT OF CORRECTION DIVISION OF CAPITAL PROJECT PLANNING AND DEVELOPMENT DESIGN UNIT					

REVISION DATE:	PROJECT MANAGER:	DIRECTOR:
DRAWN BY:	J.C.M.	H.J.F.
JCM	PIN: 072201809CPD	DATE: SEPT. 5, 2018
SCALE:	J.C.M.	DRAWING NO:
AS SHOWN		A-3

TITLE/PROJECT/LOCATION
FENCING REQUIREMENT CONTRACT
FENCE TYPE 2, 2A, 2B &
2C @ 12'-0" VERTICAL
HEIGHT PERIMETER FENCE

THE CITY OF NEW YORK
DEPARTMENT OF CORRECTION
 DIVISION OF CAPITAL PROJECT
 PLANNING AND DEVELOPMENT
 DESIGN UNIT



FENCE TYPES (2) (2A) (SHOWN)
 24'/30" (DOUBLE COIL)
 ST/ST BARBED TAPE

FENCE TYPES (2B) (2C)
 NO BARBED TAPE

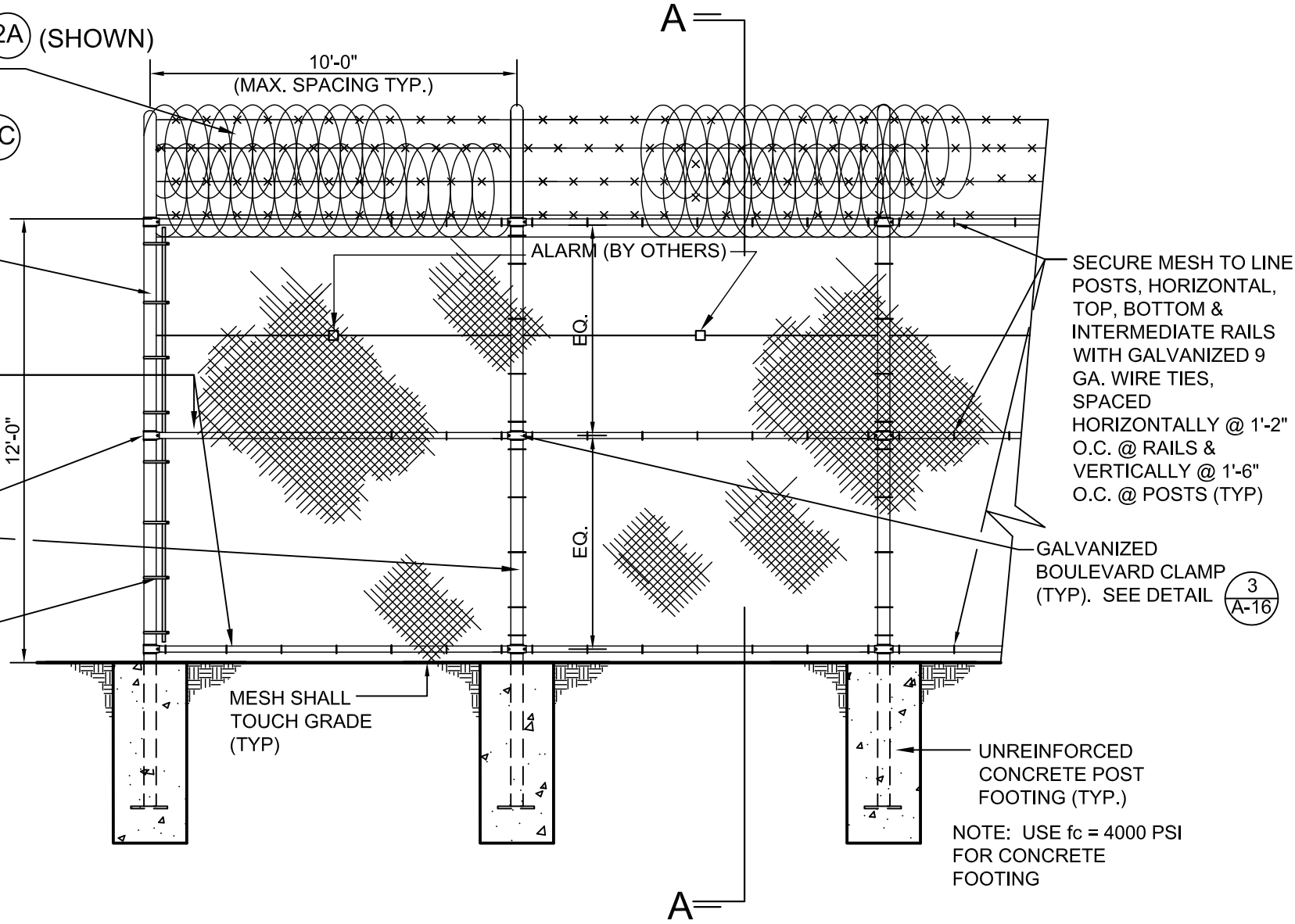
4" O.D.
 TERMINAL/CORNER
 POST, SCHEDULE 40,
 GALVANIZED STEEL

2" O.D. TOP, BOTTOM, &
 INTERMEDIATE RAIL,
 SCHEDULE 40,
 GALVANIZED STEEL (TYP)

SEE DETAIL (3)
 A-16 SIM

3" O.D. LINE POST,
 SCHEDULE 40,
 GALVANIZED STEEL

BRACE BAND @
 TERMINAL/CORNER
 POSTS, SPACED
 VERTICALLY @ 1'-6" O.C.
 W/ FULL HT. TENSION
 BAR FOR SECURING
 WOVEN WIRE MESH (TYP).
 SEE DETAIL (6)
 A-16

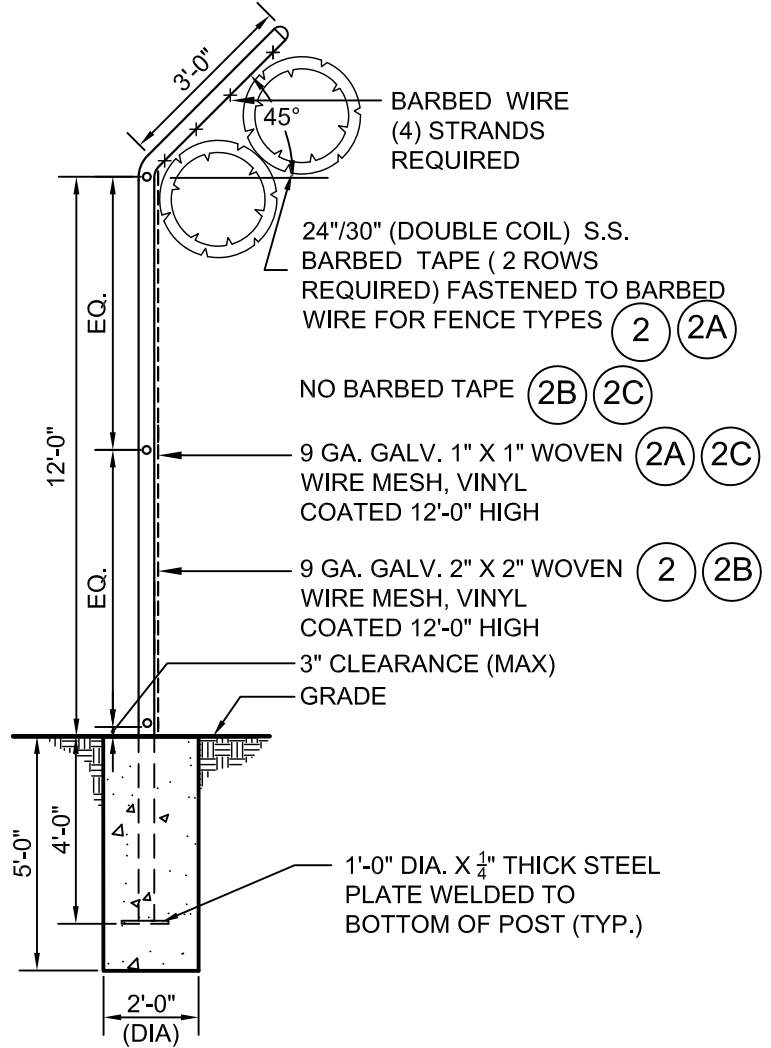


SECURE MESH TO LINE
 POSTS, HORIZONTAL,
 TOP, BOTTOM &
 INTERMEDIATE RAILS
 WITH GALVANIZED 9
 GA. WIRE TIES,
 SPACED
 HORIZONTALLY @ 1'-2"
 O.C. @ RAILS &
 VERTICALLY @ 1'-6"
 O.C. @ POSTS (TYP)

GALVANIZED
 BOULEVARD CLAMP
 (TYP). SEE DETAIL (3)
 A-16

UNREINFORCED
 CONCRETE POST
 FOOTING (TYP.)

NOTE: USE $f_c = 4000$ PSI
 FOR CONCRETE
 FOOTING



BARBED WIRE
 (4) STRANDS
 REQUIRED

24'/30" (DOUBLE COIL) S.S.
 BARBED TAPE (2 ROWS
 REQUIRED) FASTENED TO BARBED
 WIRE FOR FENCE TYPES (2) (2A)

NO BARBED TAPE (2B) (2C)

9 GA. GALV. 1" X 1" WOVEN
 WIRE MESH, VINYL
 COATED 12'-0" HIGH (2A) (2C)

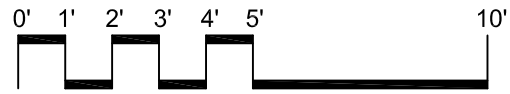
9 GA. GALV. 2" X 2" WOVEN
 WIRE MESH, VINYL
 COATED 12'-0" HIGH (2) (2B)

3" CLEARANCE (MAX)
 GRADE

1'-0" DIA. X 1/4" THICK STEEL
 PLATE WELDED TO
 BOTTOM OF POST (TYP.)

SECTION A-A
 SCALE: 1/4" = 1'-0"

1 FENCE TYPE 2, 2A, 2B, & 2C @ 12'-0" VERTICAL HEIGHT FENCE
 SCALE: 1/4" = 1'-0"



3-1/2" TERMINAL/CORNER POST, SCHEDULE 40, GALVANIZED STEEL (TYP)

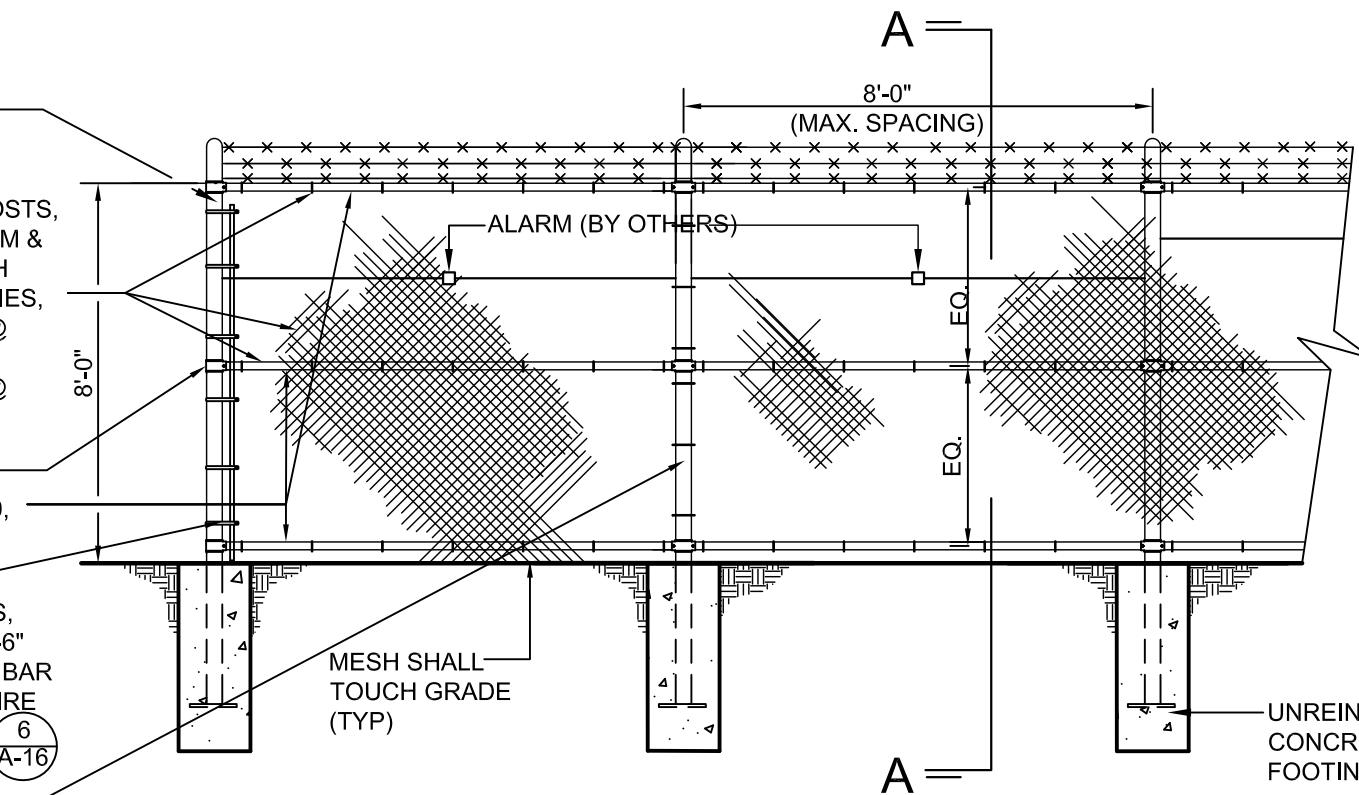
SECURE MESH TO LINE POSTS, HORIZONTAL, TOP, BOTTOM & INTERMEDIATE RAILS WITH GALVANIZED 9 GA. WIRE TIES, SPACED HORIZONTALLY @ 1'-2" O.C. @ RAILS & VERTICALLY @ 1'-6" O.C. @ POSTS (TYP)

SEE DETAIL (3) A-16 SIM

2" O.D. RAIL, SCHEDULE 40, GALVANIZED STEEL (TYP.)

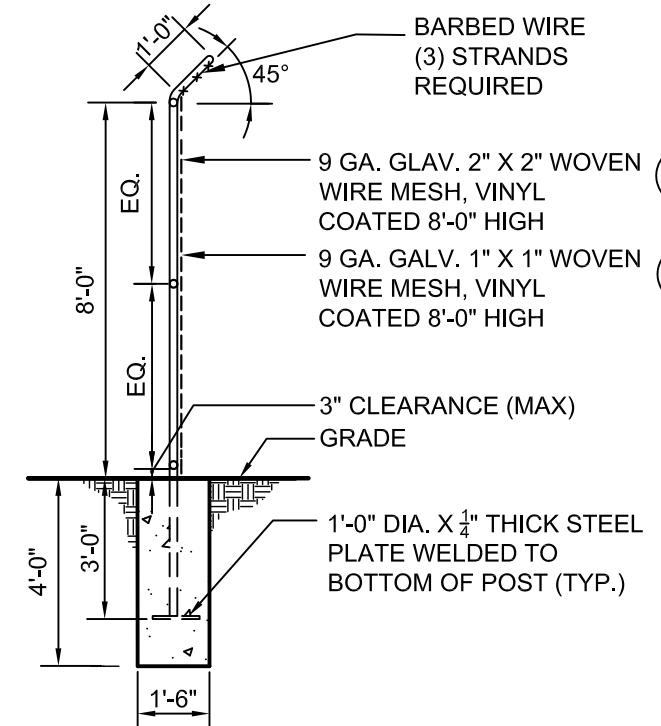
BRACE BAND @ TERMINAL/CORNER POSTS, SPACED VERTICALLY @ 1'-6" O.C. W/ FULL HT. TENSION BAR FOR SECURING WOVEN WIRE MESH (TYP). SEE DETAIL (6) A-16

3" O.D. LINE POST, SCHEDULE 40, GALVANIZED STEEL (TYP)

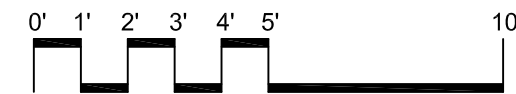


1 FENCE TYPES 3 & 3A @ 8'-0" VERTICAL HEIGHT
SCALE: 1/4" = 1'-0"

NOTE: USE $f_c = 4000$ PSI FOR CONCRETE FOOTING



SECTION A-A
SCALE: 1/4" = 1'-0"



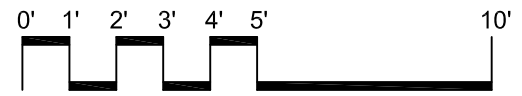
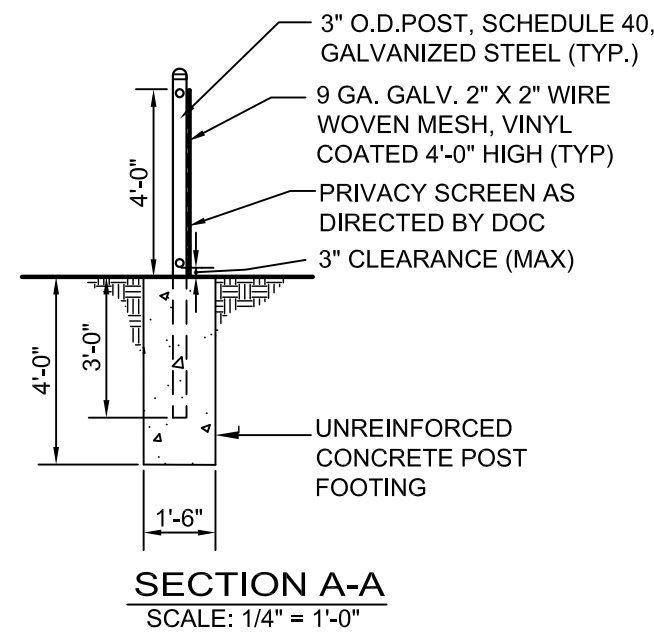
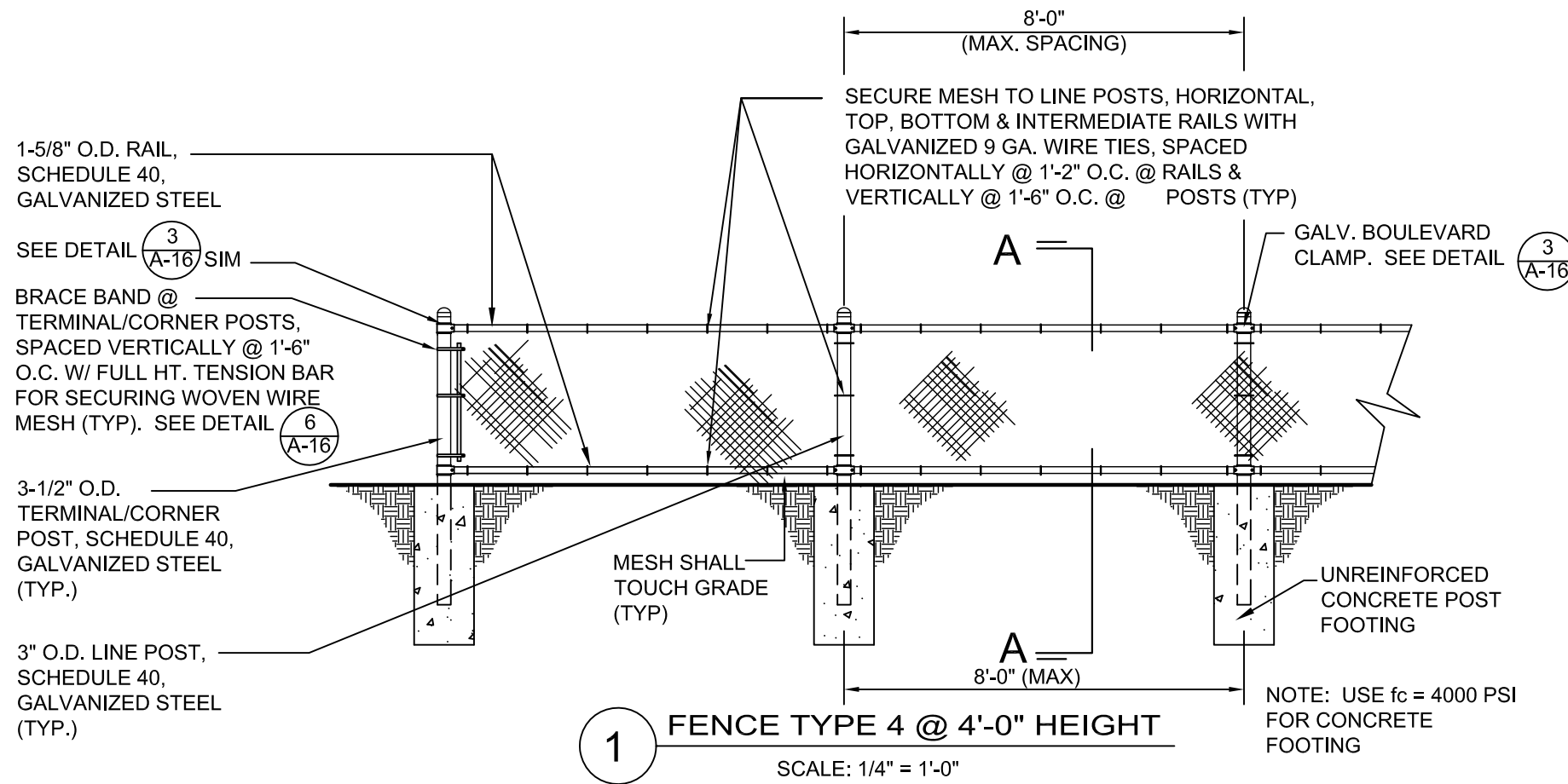
REVISION DATE:	PROJECT MANAGER: J.C.M.	DIRECTOR: HJF	DRAWN BY: JCM	SCALE: AS SHOWN	DRAWING NO: A-4
	PIN: 072201809CPD	DATE: SEPT. 5, 2018			

TITLE/PROJECT/LOCATION
FENCING REQUIREMENT CONTRACT

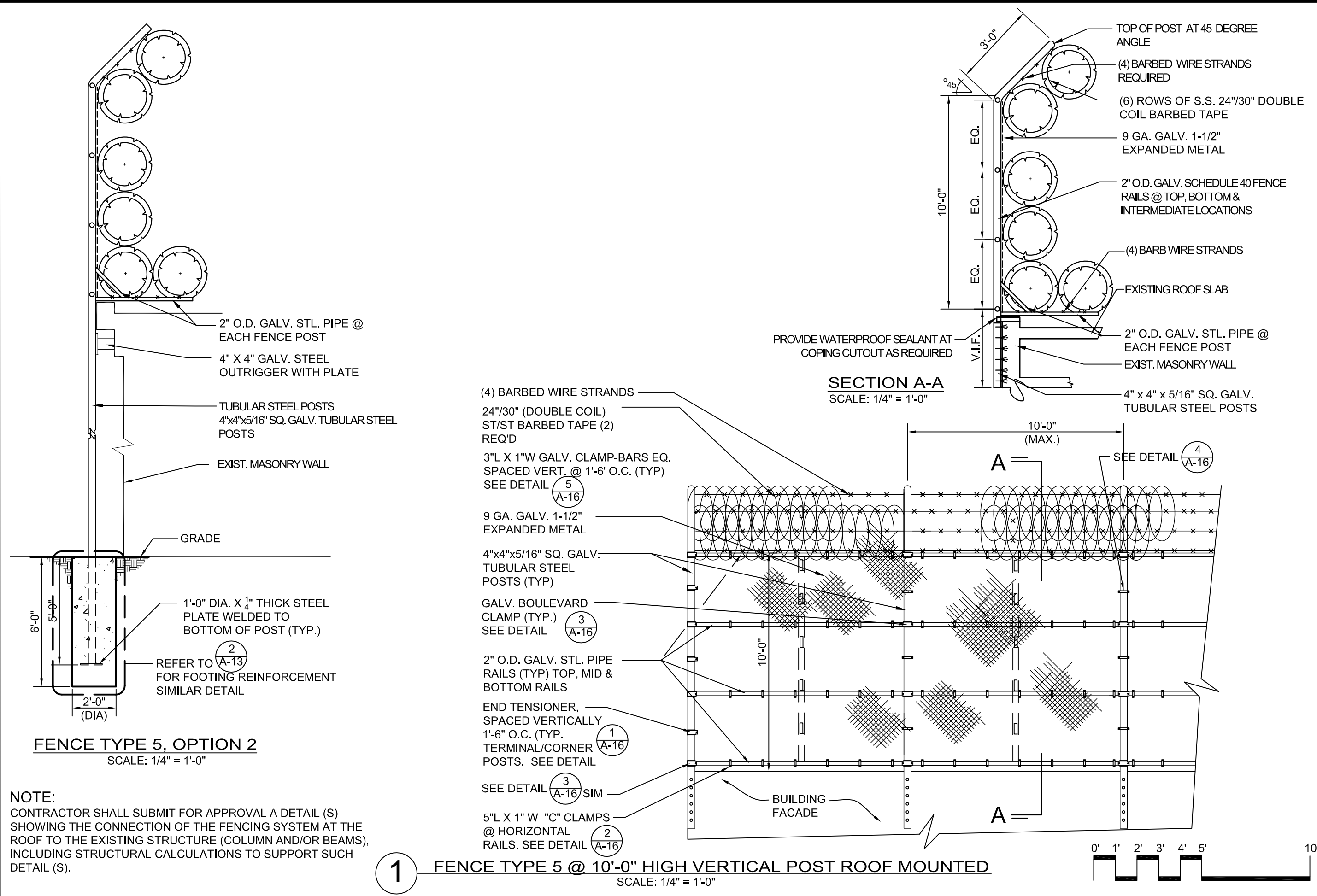
FENCE TYPE 3, & 3A @ 8'-0" VERTICAL HEIGHT

THE CITY OF NEW YORK
DEPARTMENT OF CORRECTION
DIVISION OF CAPITAL PROJECT
PLANNING AND DEVELOPMENT
DESIGN UNIT





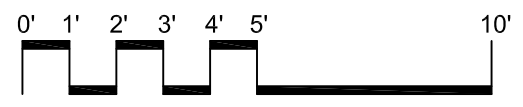
DRAWN BY: JCM	REVISION DATE:	PROJECT MANAGER: J.C.M.	PIN: 072201809CPD	SCALE: AS SHOWN	DRAWING NO: A-5
TITLE/PROJECT/LOCATION FENCING REQUIREMENT CONTRACT		FENCE TYPE 4 @ 4'-0" VERTICAL HEIGHT			
THE CITY OF NEW YORK DEPARTMENT OF CORRECTION DIVISION OF CAPITAL PROJECT PLANNING AND DEVELOPMENT DESIGN UNIT					

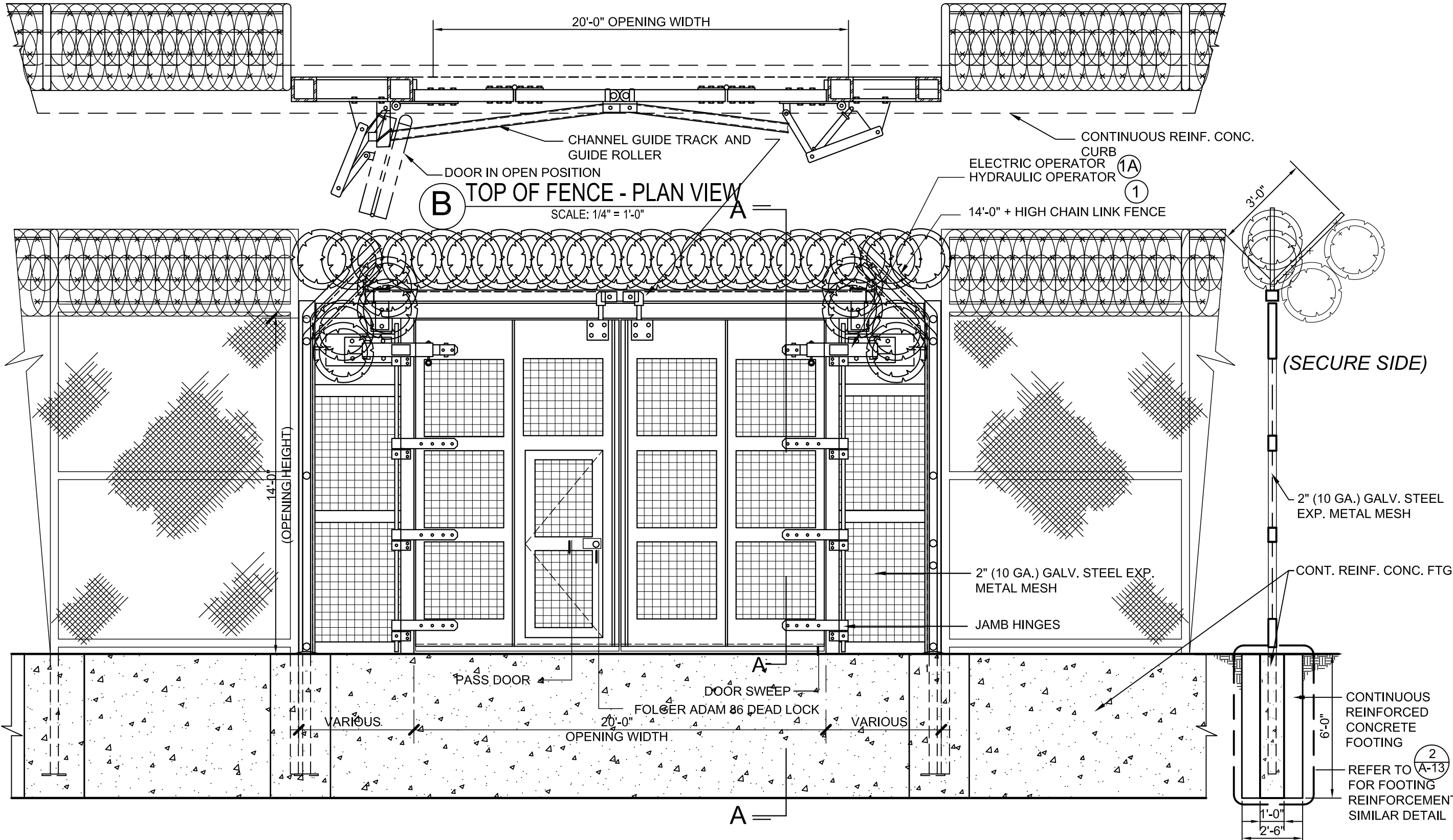


DRAWN BY: JCM	SCALE: AS SHOWN	DRAWING NO: A-6
REVISION DATE:	PROJECT MANAGER: J.C.M.	DIRECTOR: H.J.F.
TITLE/PROJECT/LOCATION FENCING REQUIREMENT CONTRACT FENCE TYPE 5 @ 10'-0" HIGH VERTICAL POST ROOF MOUNTED	PIN: 072201809CPD	DATE: SEPT. 5, 2018
THE CITY OF NEW YORK DEPARTMENT OF CORRECTION DIVISION OF CAPITAL PROJECT PLANNING AND DEVELOPMENT DESIGN UNIT		

NOTE:
 CONTRACTOR SHALL SUBMIT FOR APPROVAL A DETAIL (S)
 SHOWING THE CONNECTION OF THE FENCING SYSTEM AT THE
 ROOF TO THE EXISTING STRUCTURE (COLUMN AND/OR BEAMS),
 INCLUDING STRUCTURAL CALCULATIONS TO SUPPORT SUCH
 DETAIL (S).

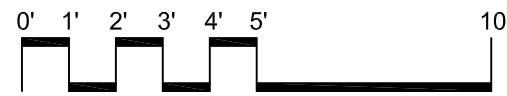
1 FENCE TYPE 5 @ 10'-0" HIGH VERTICAL POST ROOF MOUNTED
 SCALE: 1/4" = 1'-0"



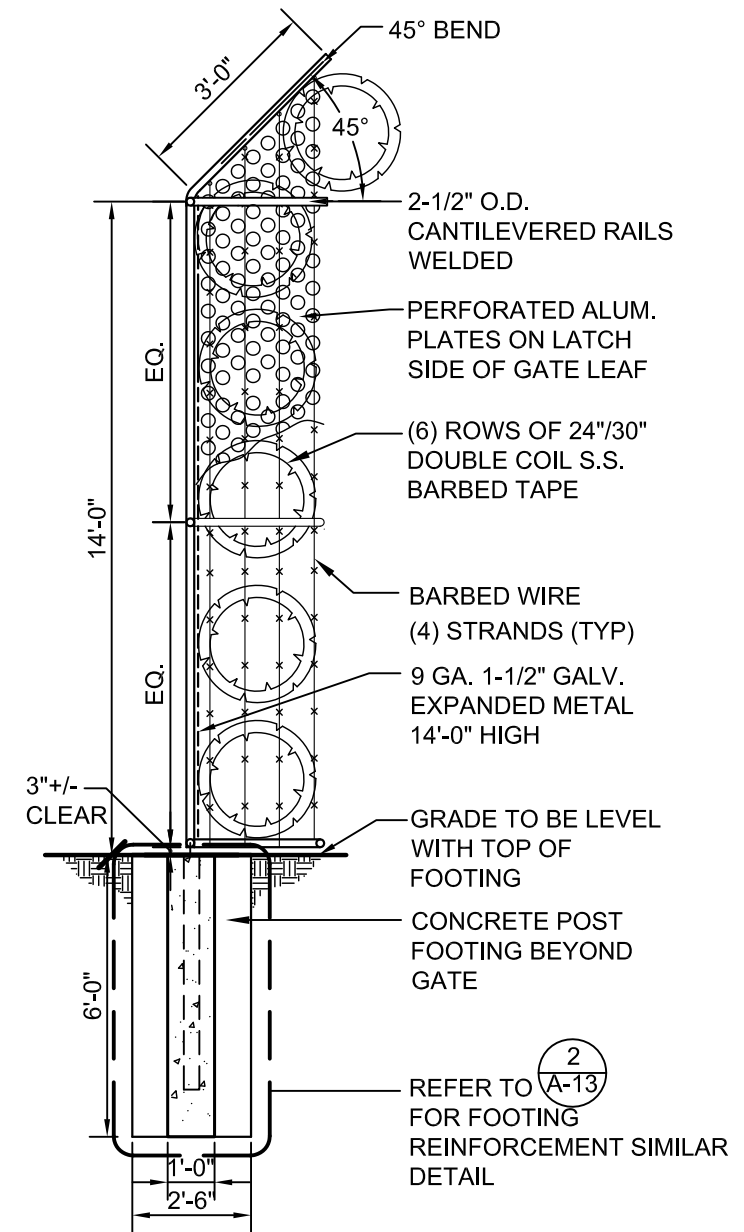
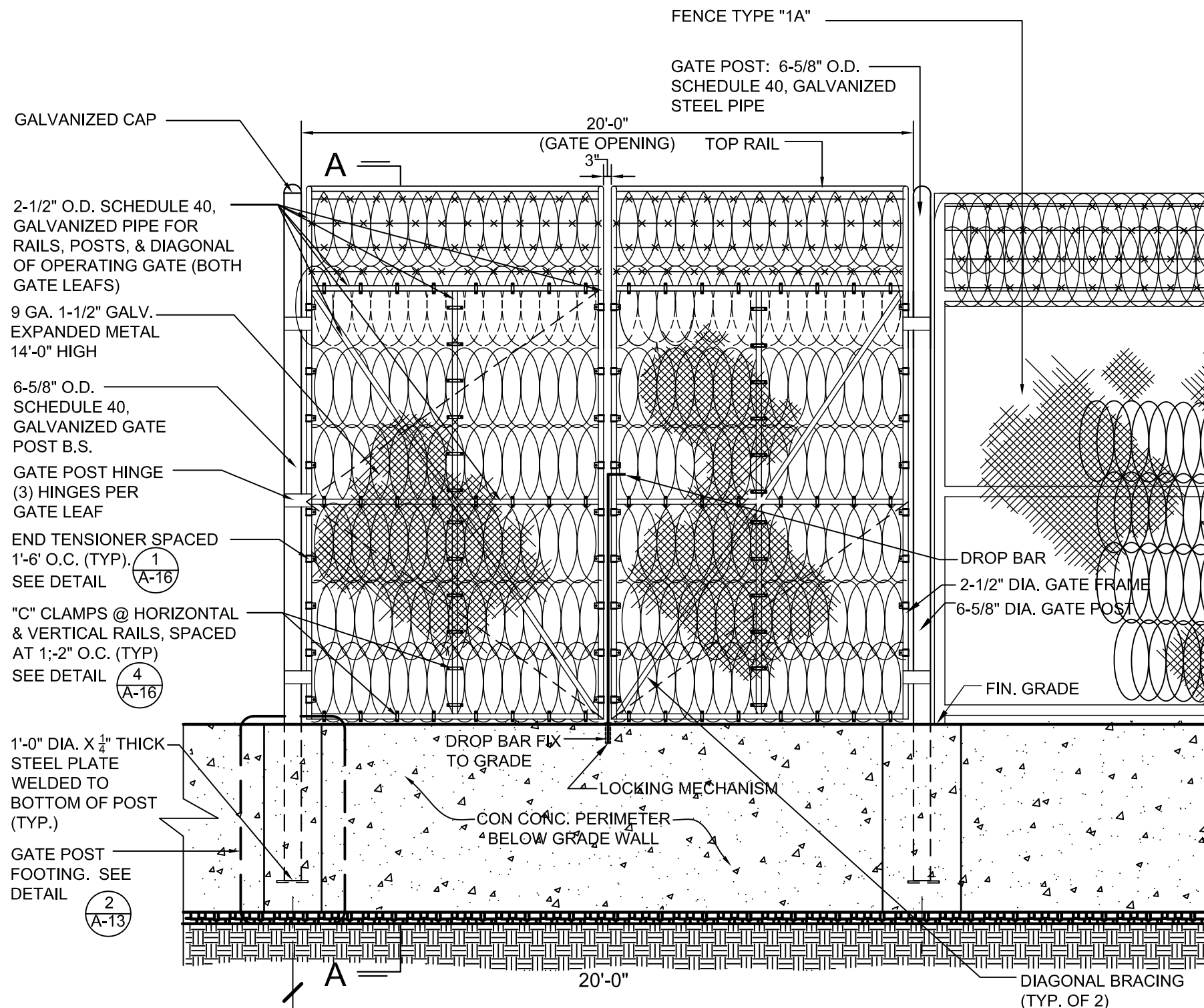


1 GATE TYPE 1 & 1A @ 14'-0" VERTICAL HEIGHT
SCALE: 1/4" = 1'-0"

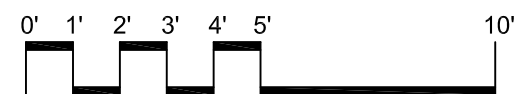
SECTION A-A
SCALE: 1/4" = 1'-0"



DRAWN BY: JCM	SCALE: AS SHOWN	DRAWING NO: A-7
REVISION DATE:	PROJECT MANAGER: J.C.M.	DIRECTOR: H.J.F.
TITLE/PROJECT/LOCATION FENCING REQUIREMENT CONTRACT	PIN: 072201809CPD	DATE: SEPT. 5, 2018
THE CITY OF NEW YORK DEPARTMENT OF CORRECTION DIVISION OF CAPITAL PROJECT PLANNING AND DEVELOPMENT	GATE TYPE 1 & 1A @ 14'-0" VERTICAL HEIGHT	

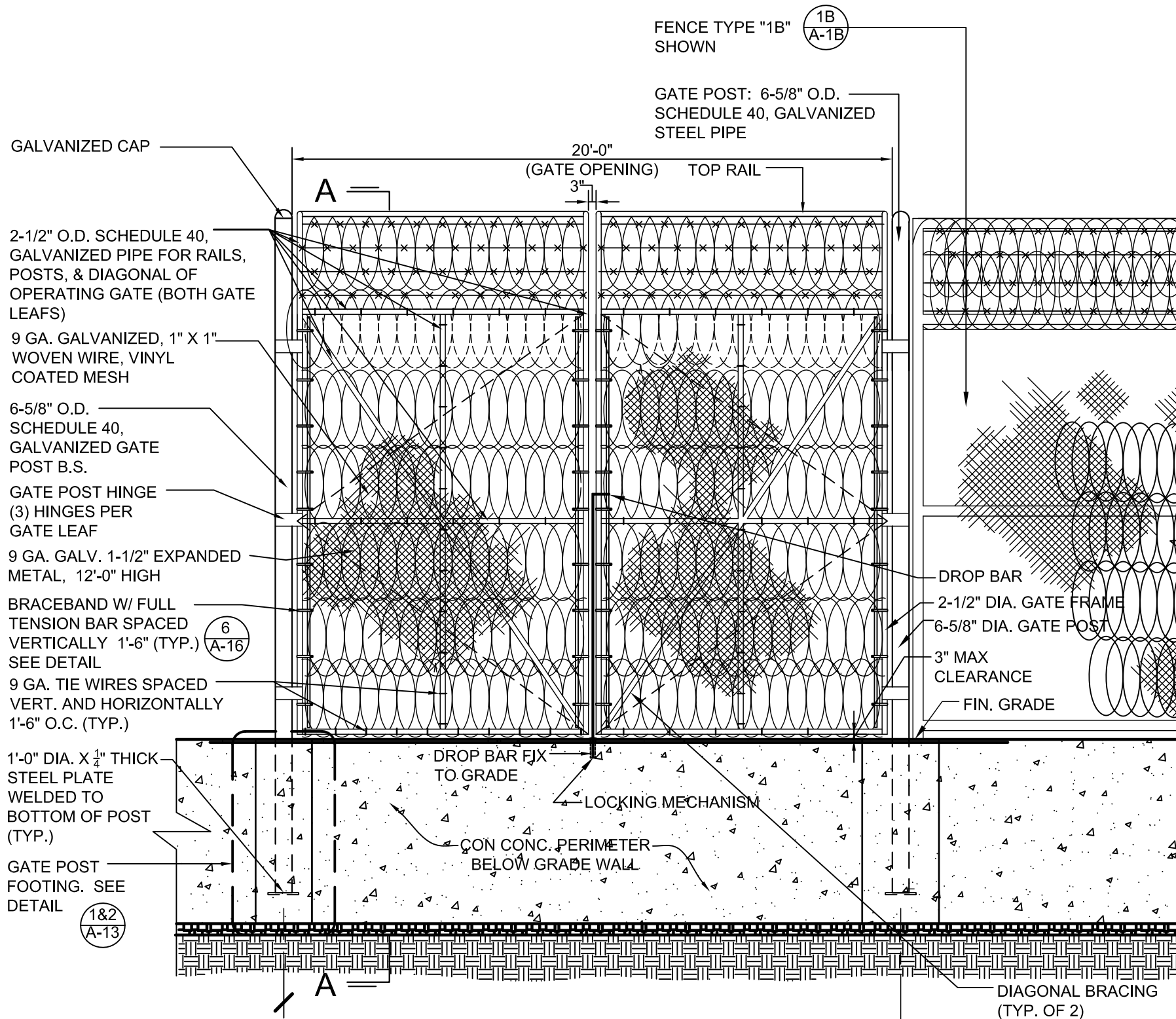


SECTION A-A
SCALE: 1/4" = 1'-0"

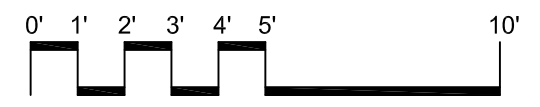
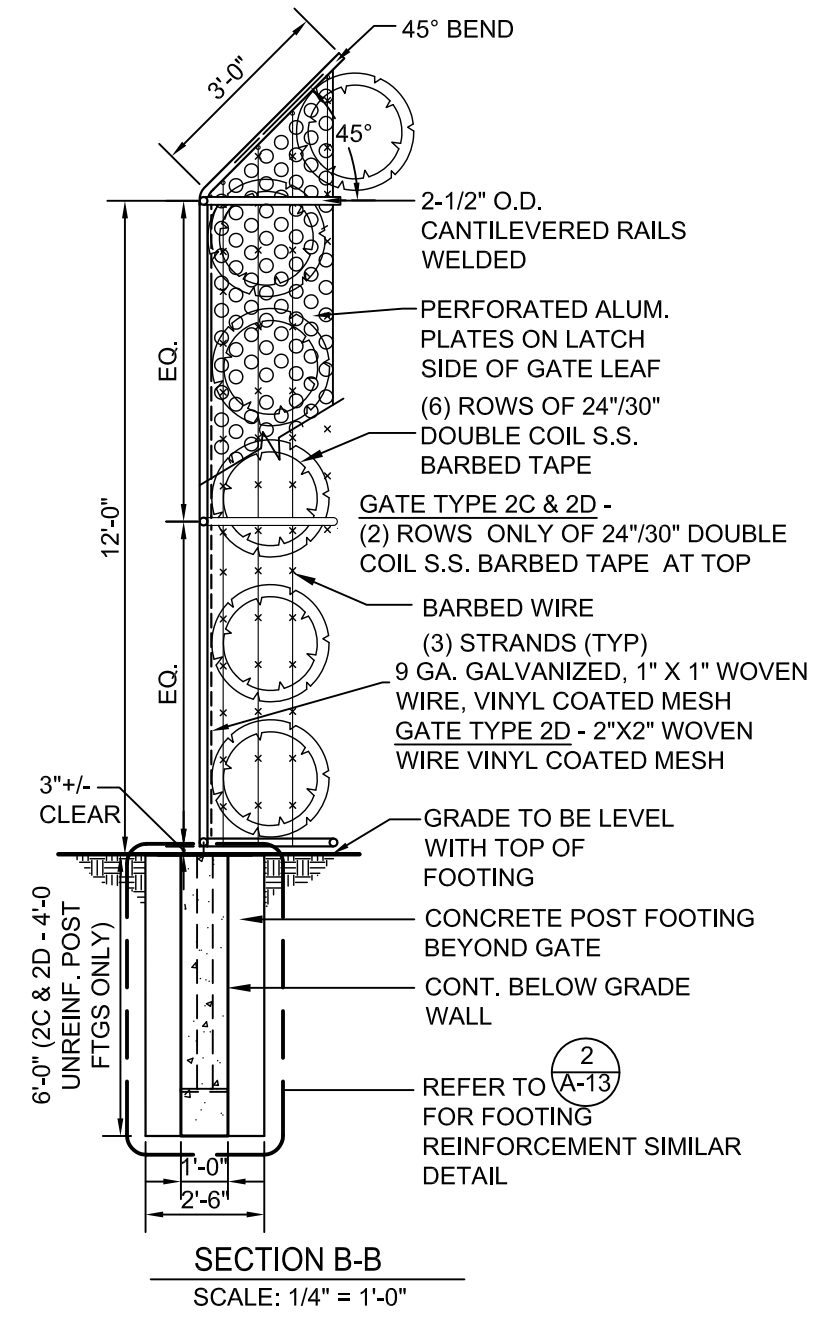


1 GATE TYPE 2A @ 14'-0" VERTICAL HEIGHT
(9 GA, GALV., 1-1/2" EXPANDED METAL)
SCALE: 1/4" = 1'-0"

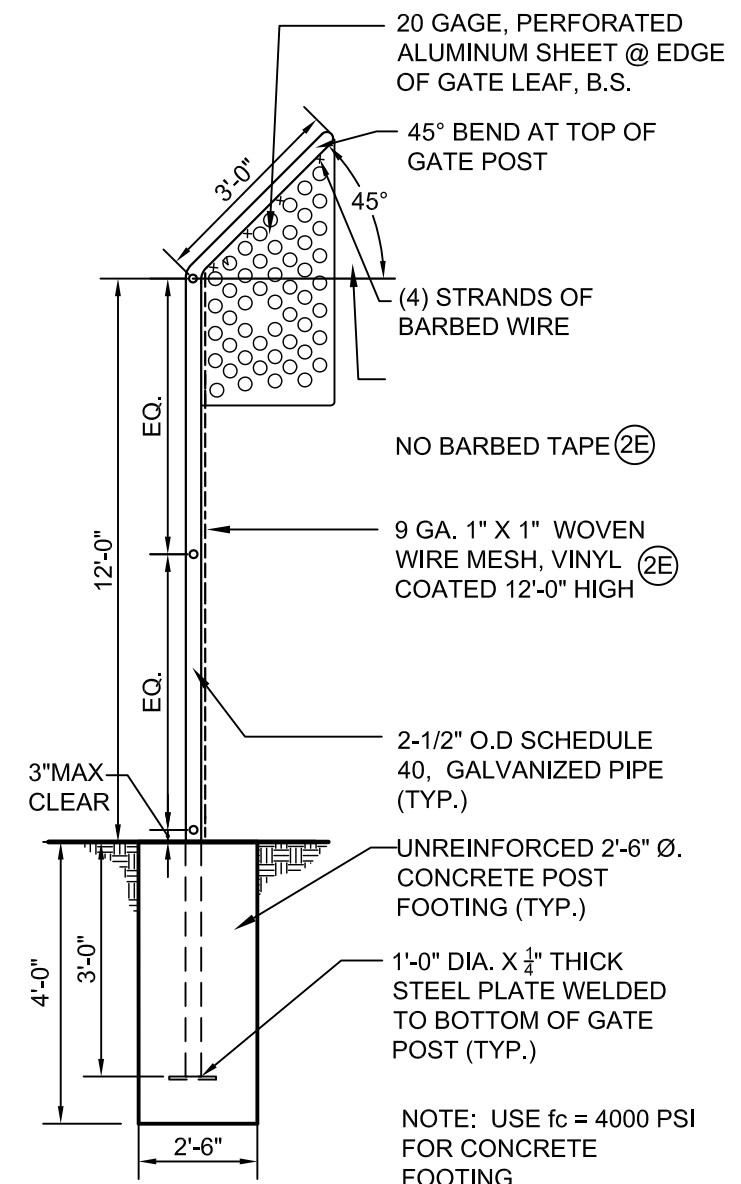
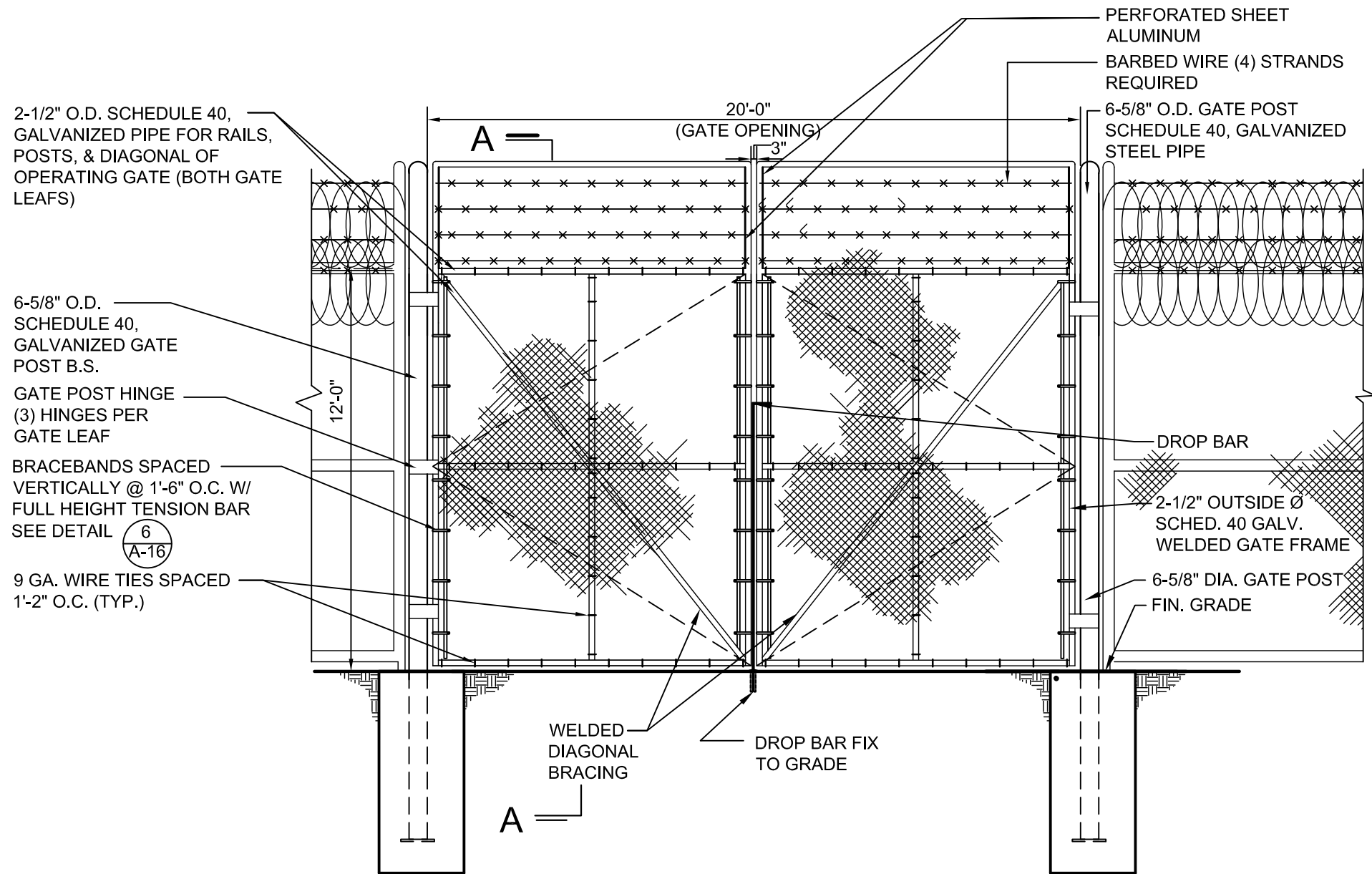
DRAWN BY: JCM	SCALE: AS SHOWN	DRAWING NO: A-8
TITLE/PROJECT/LOCATION FENCING REQUIREMENT CONTRACT		
GATE TYPE 2A @ 14'-0" VERTICAL HEIGHT		
THE CITY OF NEW YORK DEPARTMENT OF CORRECTION DIVISION OF CAPITAL PROJECT PLANNING AND DEVELOPMENT		



1 GATE TYPE 2B, 2C, & 2D @ 12'-0" VERTICAL HEIGHT (9GA, GALV. 1'X1" WOVEN WIRE MESH VINYL COATED)
SCALE: 1/4" = 1'-0"

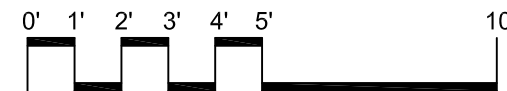


REVISION DATE:	PROJECT MANAGER:	DIRECTOR:	DRAWN BY:	SCALE:	DRAWING NO.:
	J.C.M.	H.J.F.	JCM	AS SHOWN	A-9
TITLE/PROJECT/LOCATION		DATE:			
FENCING REQUIREMENT CONTRACT		SEPT. 5, 2018			
GATE TYPE 2B, 2C, & 2D @ 12'-0" VERTICAL HT		PIN: 072201809CPD			
THE CITY OF NEW YORK		DEPARTMENT OF CORRECTION			
DIVISION OF CAPITAL PROJECT PLANNING AND DEVELOPMENT		CITY OF NEW YORK			



1 GATE TYPE 2E @ 12'-0" VERTICAL HEIGHT
SCALE: 1/4" = 1'-0"

SECTION A-A
SCALE: 1/4" = 1'-0"



DRAWN BY: JCM
SCALE: AS SHOWN
DRAWING NO: A-10

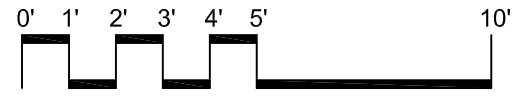
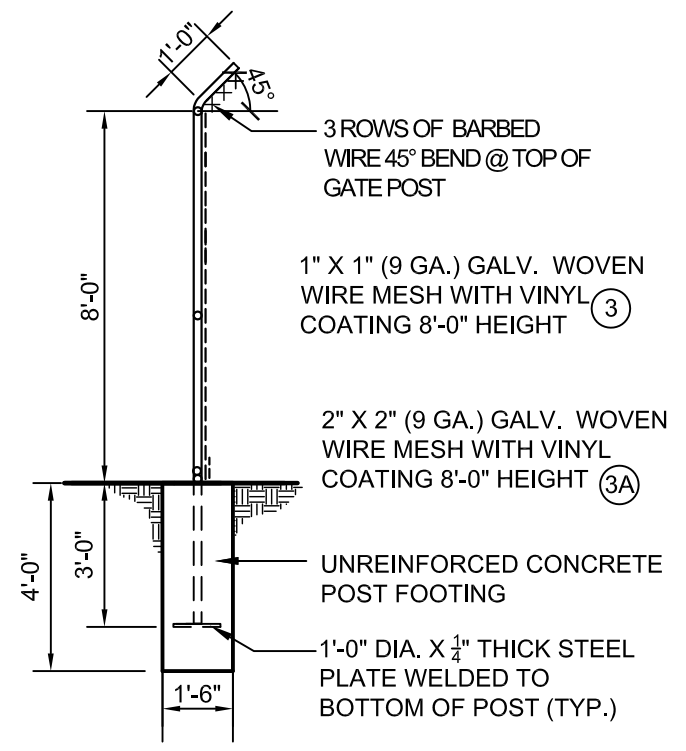
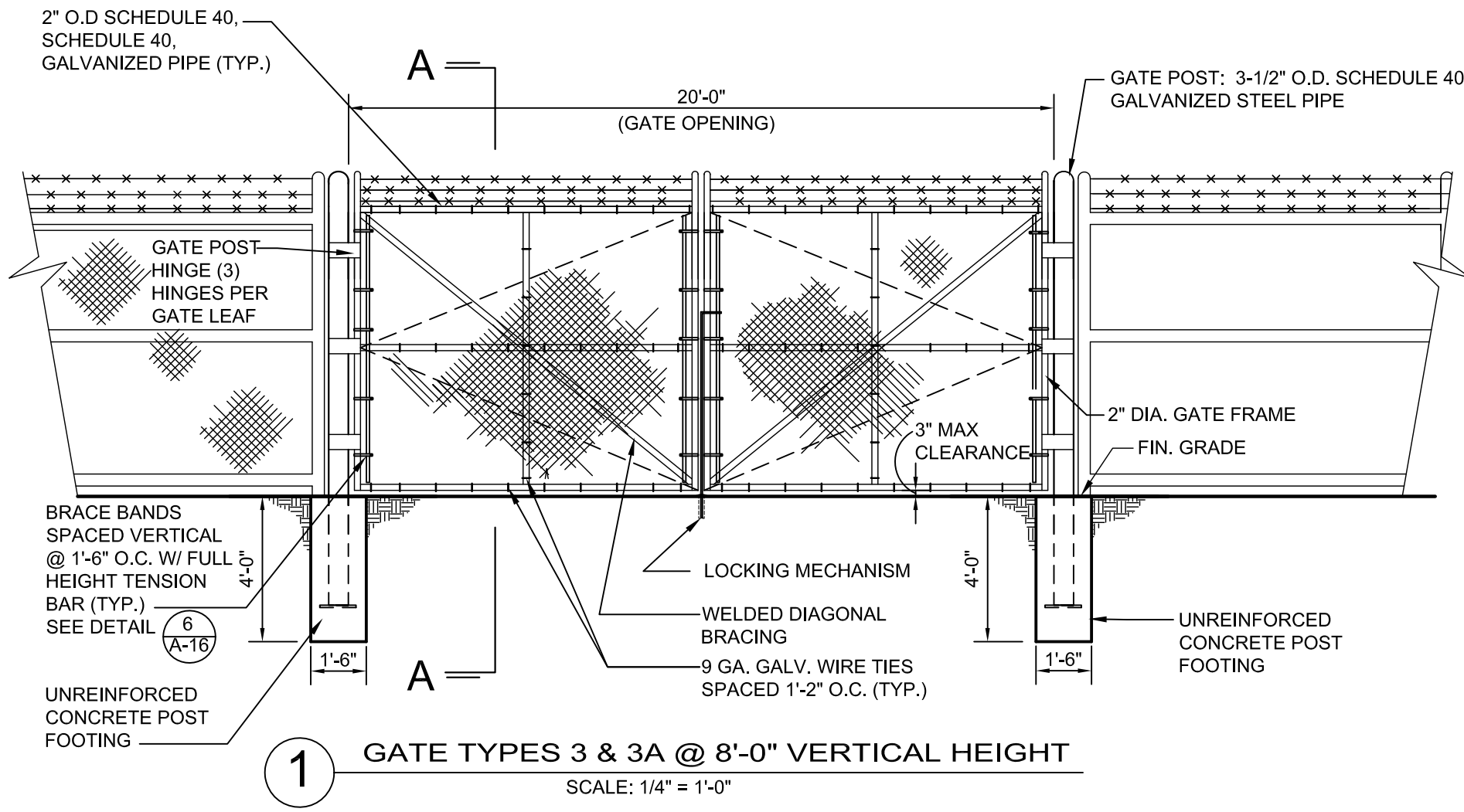
REVISION DATE:
PROJECT MANAGER: J.C.M.
DIRECTOR: HJF
DATE: SEPT. 5, 2018

TITLE/PROJECT/LOCATION
FENCING REQUIREMENT CONTRACT
GATE TYPE 2E @ 12'-0" VERTICAL HEIGHT

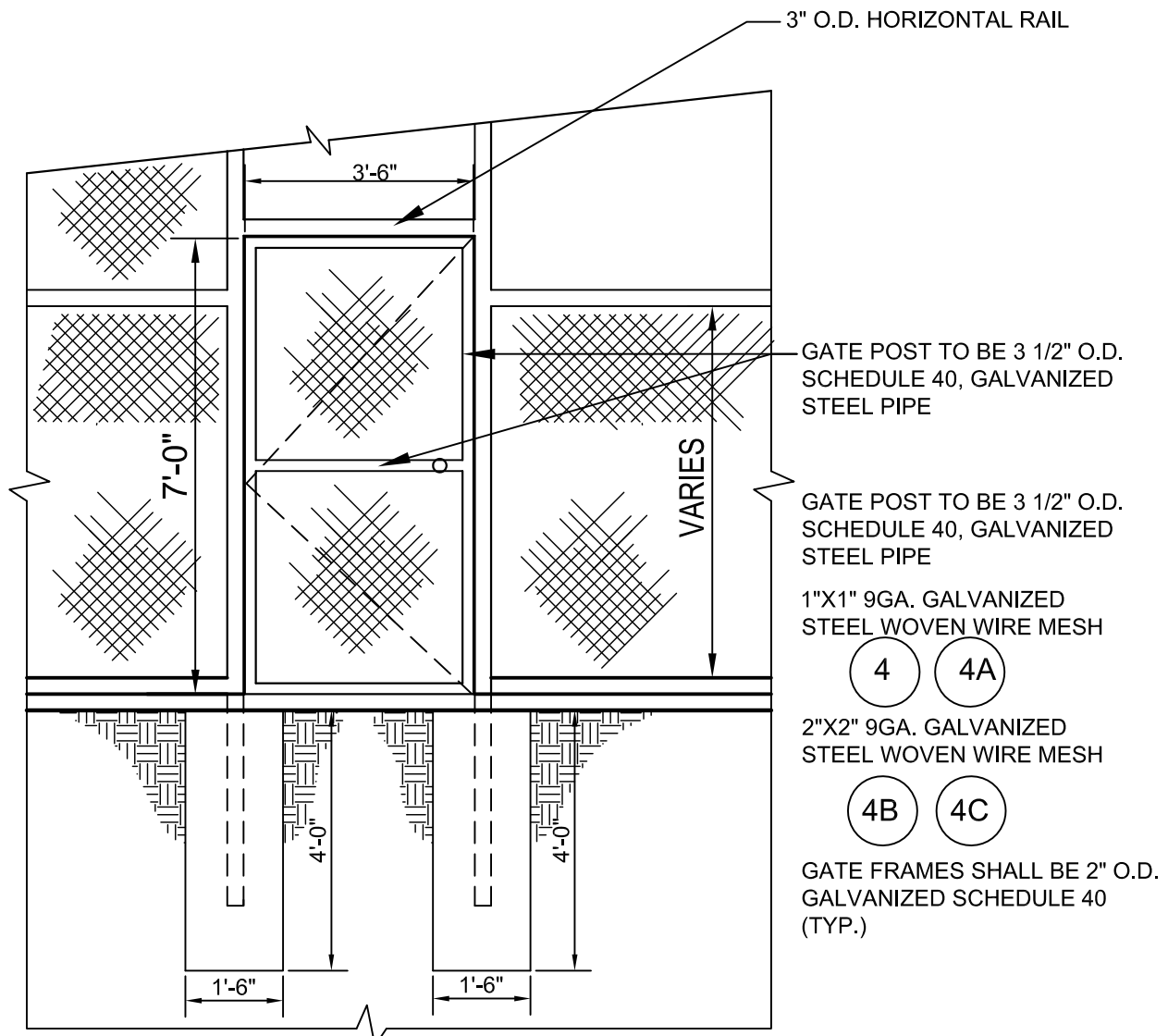
THE CITY OF NEW YORK
DEPARTMENT OF CORRECTION
DIVISION OF CAPITAL PROJECT
PLANNING AND DEVELOPMENT

NOTE: USE $f_c = 4000$ PSI FOR CONCRETE FOOTING

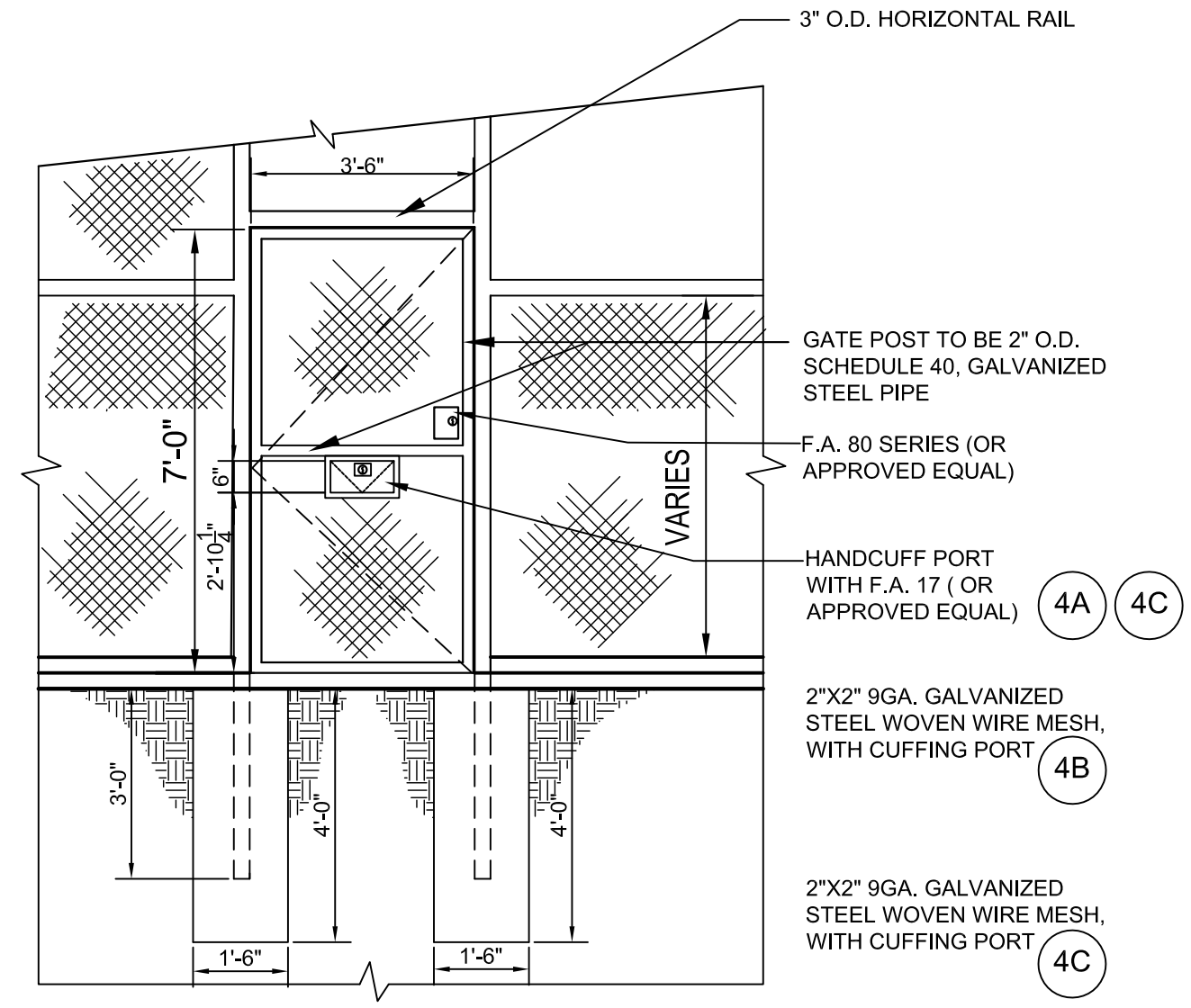




DRAWN BY: JCM	REVISION DATE:	PROJECT MANAGER: J.C.M.	PIN: 072201809CPD	SCALE: AS SHOWN	DRAWING NO: A-11
TITLE/PROJECT/LOCATION FENCING REQUIREMENT CONTRACT		GATE TYPES 3 & 3A @ 8'-0" VERTICAL HEIGHT			
THE CITY OF NEW YORK DEPARTMENT OF CORRECTION		DIVISION OF CAPITAL PROJECT PLANNING AND DEVELOPMENT			




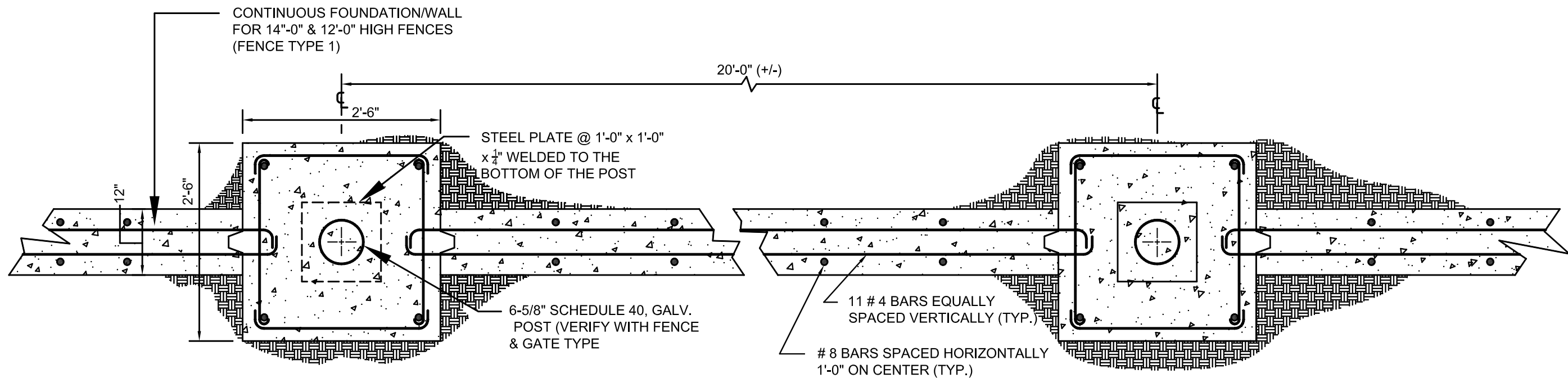
**GATE TYPES 4, & 4B (PEDESTRIAN GATE)
WITHOUT CUFFING PORT**



**GATE TYPES 4A & 4C (PEDESTRIAN GATE) WITH
CUFFING PORT**

1 GATE TYPES 4, 4A, 4B & 4C PEDESTRIAN GATES WITH & WITHOUT CUFFING PORT
SCALE: 3/8" = 1'-0"

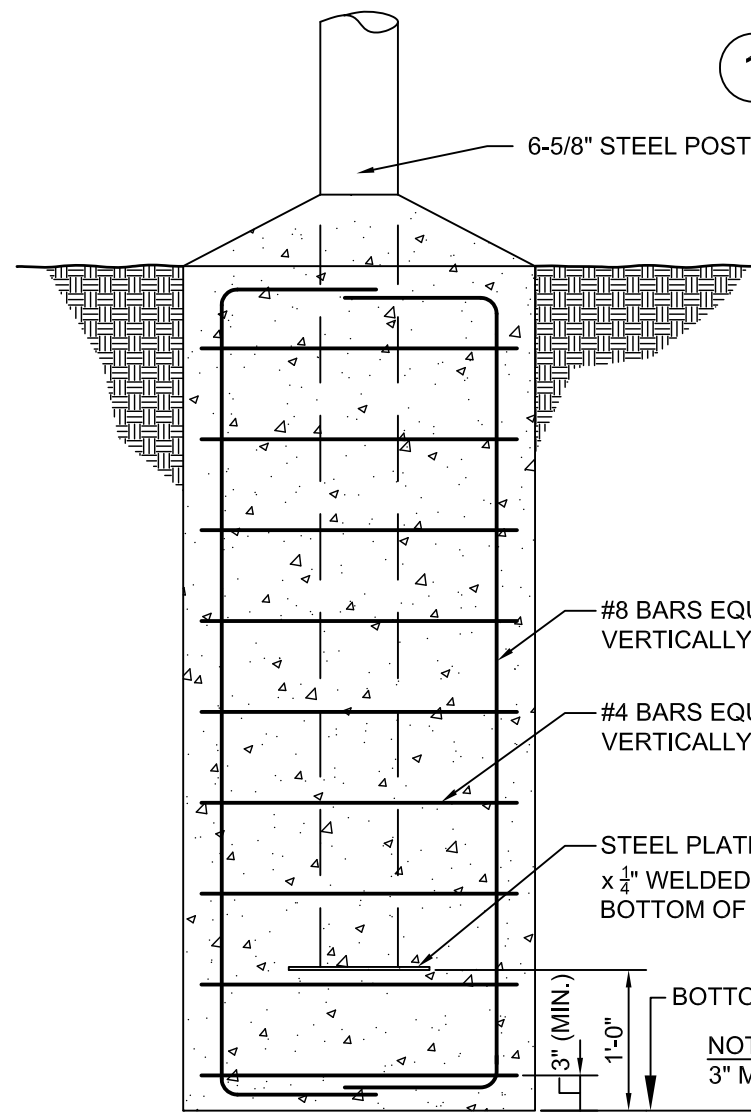
REVISION DATE:	DRAWN BY:	JCM	PROJECT MANAGER:	PIN: 072201809CPD	DATE:	SEPT. 5, 2018
	SCALE:	AS SHOWN		DIRECTOR:		HJF
TITLE/PROJECT/LOCATION	FENCING REQUIREMENT CONTRACT GATE TYPES 4, 4A, 4B & 4C PEDESTRIAN GATES WITH & WITHOUT CUFFING PORT					
THE CITY OF NEW YORK DEPARTMENT OF CORRECTION DIVISION OF CAPITAL PROJECT PLANNING AND DEVELOPMENT						
						



1 FENCE/GATE CONCRETE PIER & FOUNDATION WALL DETAIL

PLAN VIEW

SCALE: 3/4" = 1'-0"



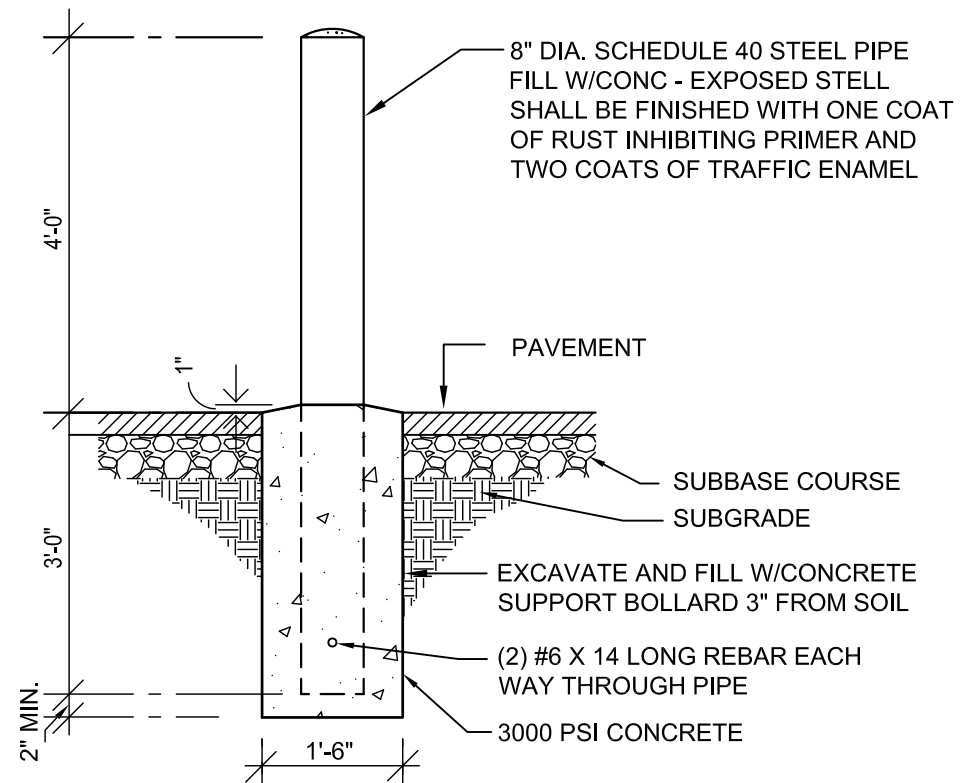
2 SECTION ELEVATION

SCALE: 3/4" = 1'-0"

FENCE/ GATE HEIGHT	DEPTH OF FNDN./POST FOOTING	SCHEDULE 40 GALV. GATE POST O.D.	SCHEDULE 40 GALV. GATE POST O.D.:		
			TERMINAL OR CORNER POST	LINE POST	RAILS
14'-0"	6'-0"	6-5/8"	5"	4"	2-1/2"
12'-0"	4'-0"	6-5/8"	4"	3"	2"
8'-0"	4'-0"	4"	3-1/2"	3"	2"
4'-0"	3'-0"	3-1/2"	3-1/2"	3"	1-5/8"

NOTES: REFER TO FENCE & GATE TYPE DRAWINGS FOR FTG DEPTHS & CONSTRUCTION

① FRAMES FOR GATES SHALL BE SCHEDULE 40, GALVANIZED STEEL 2-1/2" O.D. FOR 14'-0" AND 12'-0" HIGH GATES, AND 2" O.D. FOR 8'-0" HIGH GATES. SEE CONTRACT DRAWINGS.



3 TYP. BOLLARD DETAIL

SCALE: 1" = 1'-0"

DRAWN BY:
JCM
SCALE:
AS SHOWN
DRAWING NO:
A-13

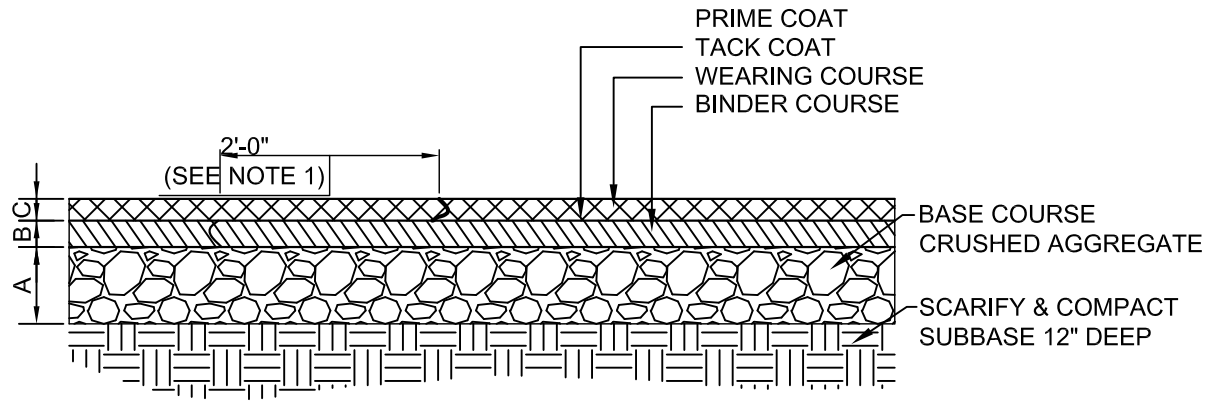
REVISION DATE:
PROJECT MANAGER:
J.C.M.
DIRECTOR:
H.J.F.

PIN: 072201809CPD
DATE:
SEPT. 5, 2018

TITLE/PROJECT/LOCATION
FENCING REQUIREMENT CONTRACT
CONCRETE FOOTING
& BOLLARD DETAILS

THE CITY OF NEW YORK
DEPARTMENT OF CORRECTION
DIVISION OF CAPITAL PROJECT
PLANNING AND DEVELOPMENT





1 TYPICAL ASPHALT ROAD SECTION DETAIL
NOT TO SCALE

NOTE 1:
PROVIDE 2'-0" MINIMUM OVERLAP OF LONGITUDINAL AND TRANSVERSE JOINTS IN ASPHALT PAVEMENT

BASE AND PAVING. THE MINIMUM BASE AND PAVING SHALL BE AS FOLLOWS:

1A TYPE 1 - HEAVY USE

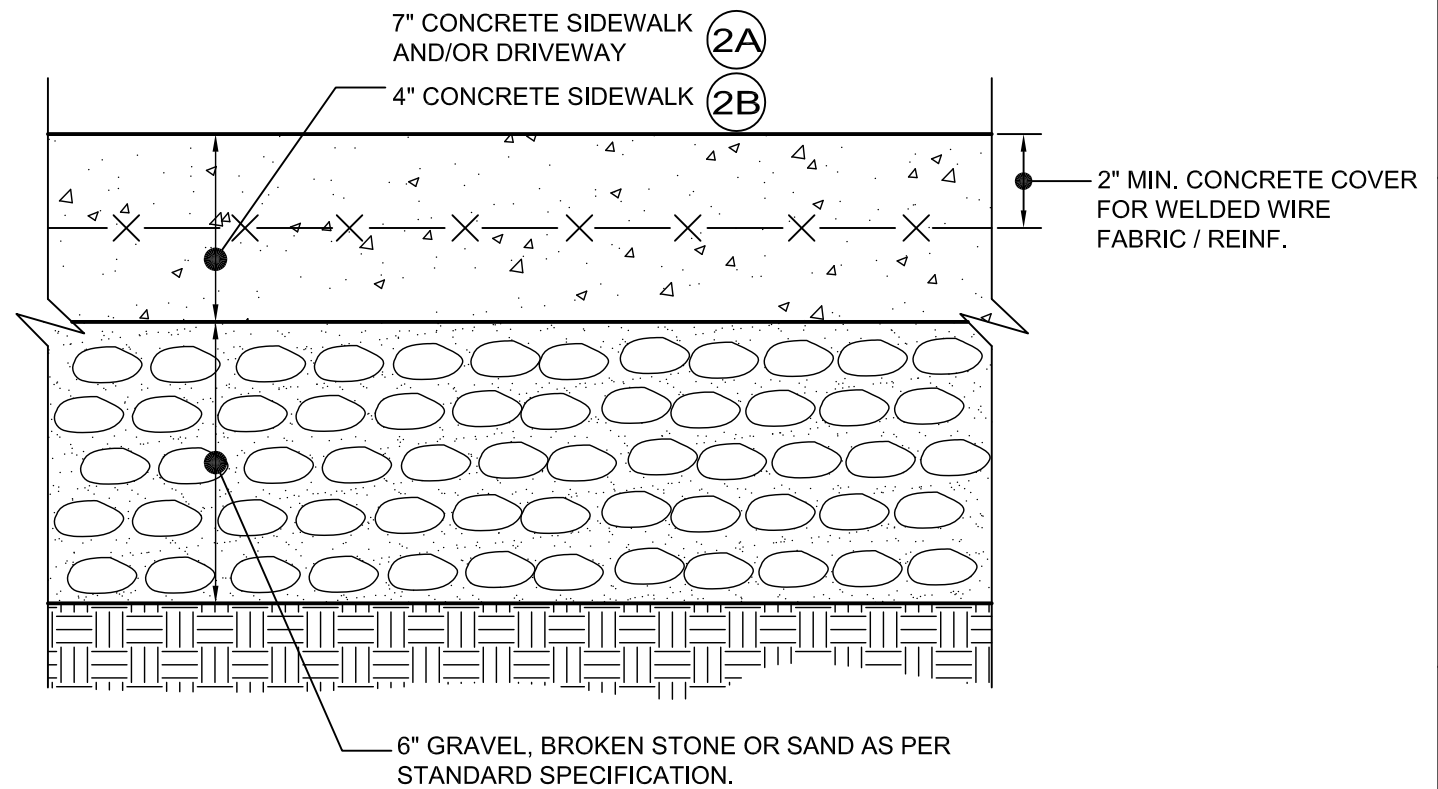
- A. 10.0 INCHES OF GRADED BASE COURSE COMPACTED TO 95 PERCENT.
- B. 2.0 INCHES OF TYPE "B" ASPHALTIC CONCRETE BINDER COURSE COMPACTED TO 95 PERCENT.
- C. 1.5 INCHES OF ASPHALTIC CONCRETE WEARING SURFACE TYPE "F"

1B TYPE 2 - INTERMEDIATE USE

- A. 6.0 INCHES OF GRADED BASE COURSE COMPACTED TO 95 PERCENT.
- B. 2.0 INCHES OF TYPE "B" ASPHALTIC CONCRETE BINDER COURSE COMPACTED TO 95 PERCENT.
- C. 1.5 INCHES OF ASPHALTIC CONCRETE WEARING SURFACE TYPE "F"

1C TYPE 3 - LIGHT USE

- A. 4.0 INCHES OF GRADED BASE COURSE COMPACTED TO 95 PERCENT.
- B. 1.5 INCHES OF TYPE "B" ASPHALTIC CONCRETE BINDER COURSE COMPACTED TO 95 PERCENT.
- C. 1.25 INCHES OF ASPHALTIC CONCRETE WEARING SURFACE TYPE "F"



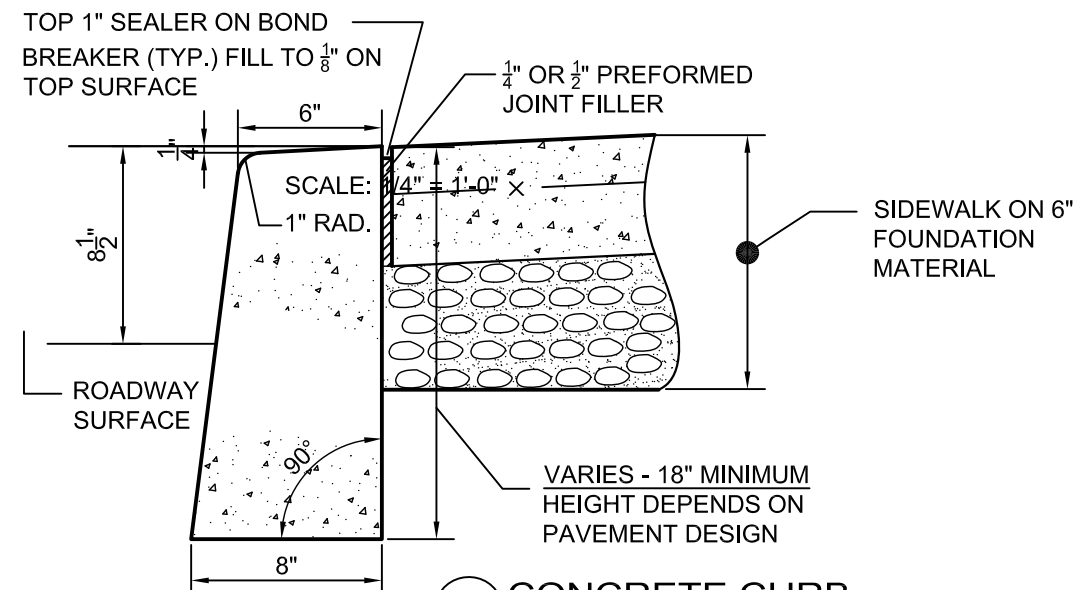
2 CONCRETE PAVEMENT
SCALE: 3' = 1'-0"

- 2A** TYPE 1- SIDEWALK, AT DRIVEWAYS
- 2B** TYPE 2- SIDEWALK, FOR PEDESTRIAN USE

NOTES:

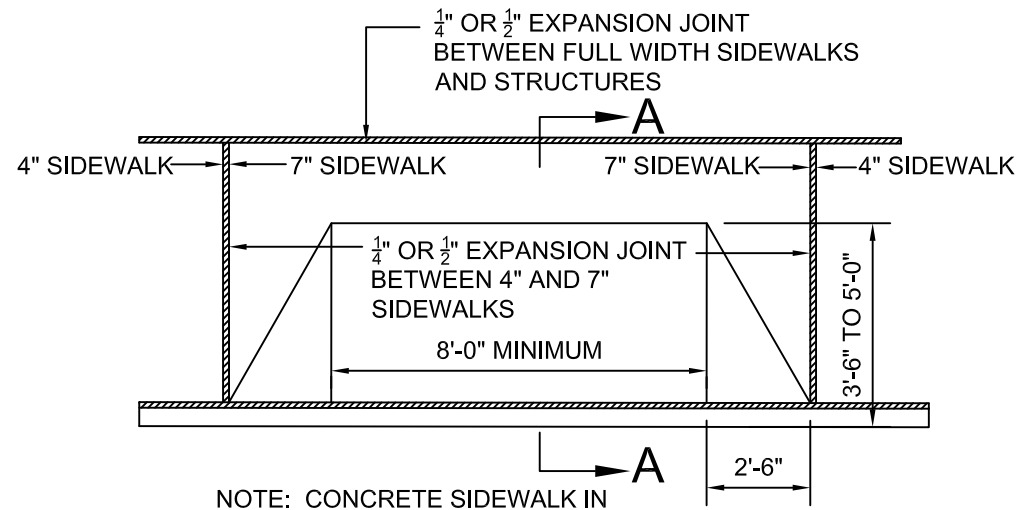
1. ALL MATERIALS AND CONSTRUCTION METHODS USED ARE TO CONFORM TO SECTION #4.13. OF THE NYC DEPARTMENT OF TRANSPORTATION (DOT) STANDARD HIGHWAY SPECIFICATIONS.

2. WELDED WIRE FABRIC, WHERE SPECIFIED, SHALL BE ASTM DESIGNATION A-185, GAUGE # 8/8 AT 6" X 6" SPACING AND CONFORM TO SECTION # 2.25 OF THE NYDOT STANDARD HIGHWAY SPECIFICATIONS.



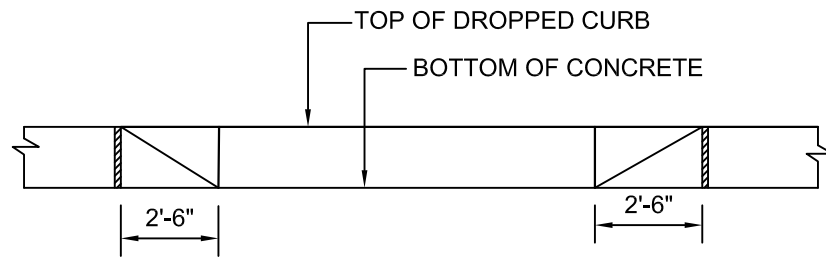
3 CONCRETE CURB
NOT TO SCALE

DRAWN BY: JCM	SCALE: AS SHOWN	DRAWING NO: A-14
REVISION DATE:		
PROJECT MANAGER: J.C.M.		
DIRECTOR: H.J.F.		
PIN: 072201809CPD		
DATE: SEPT. 5, 2018		
TITLE/PROJECT/LOCATION FENCING REQUIREMENT CONTRACT ASPHALT/CONCRETE PAVEMENT & CURB DETAILS		
THE CITY OF NEW YORK DEPARTMENT OF CORRECTION DIVISION OF CAPITAL PROJECT PLANNING AND DEVELOPMENT		



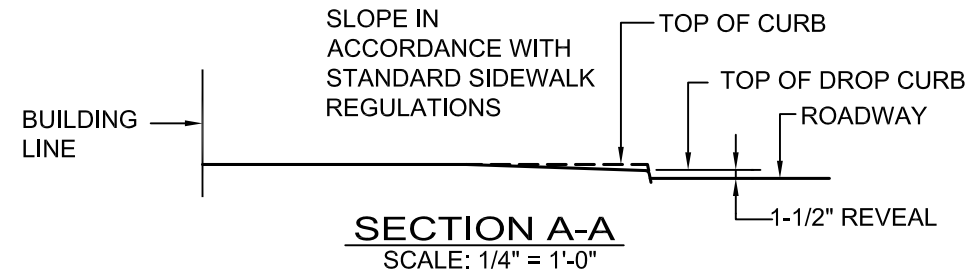
NOTE: CONCRETE SIDEWALK IN DRIVEWAY & 6\"/>

1 DROP-CURB DRIVEWAY - PLAN VIEW
SCALE: 1/4" = 1'-0"

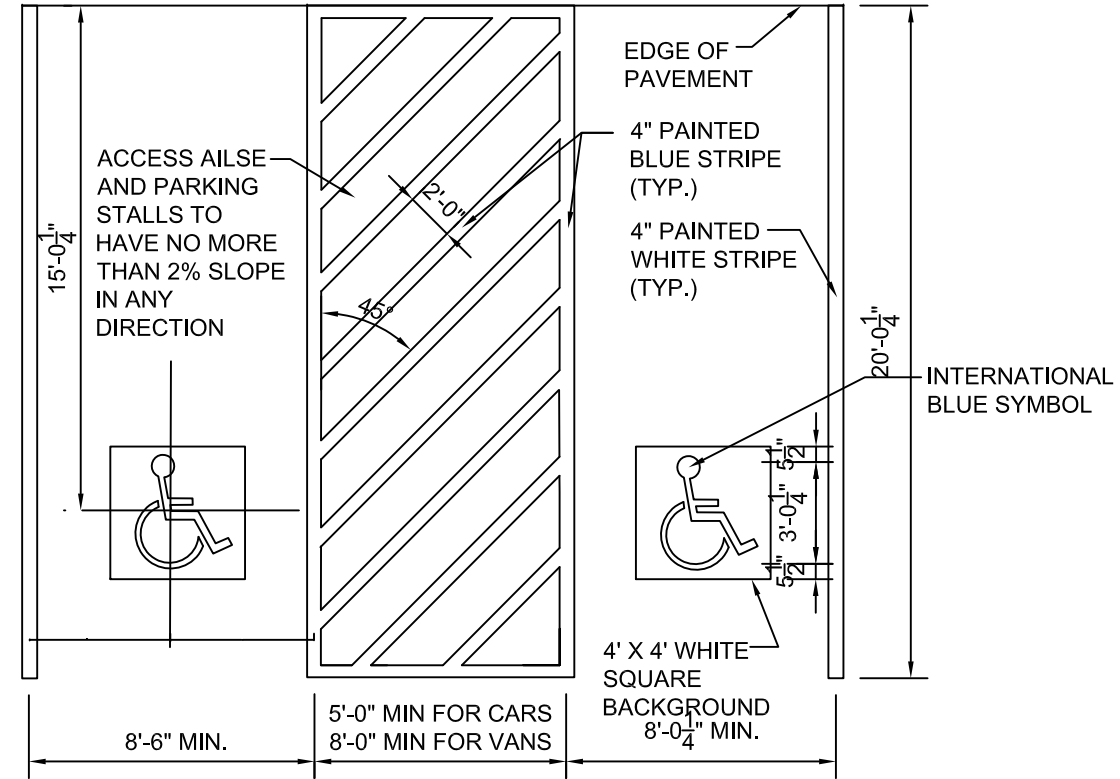


SCALE: 1/4" = 1'-0"

2



SECTION A-A
SCALE: 1/4" = 1'-0"



NOTE:

1. STRIPING AND CONSTRUCTION SHALL CONFORM TO ALL APPLICABLE FEDERAL, STATE AND CITY OF NEW YORK CODES AND SPECIFICATIONS.

ADA HANDICAP PARKING SPACE STRIPING & SIGN DETAIL

NOT TO SCALE

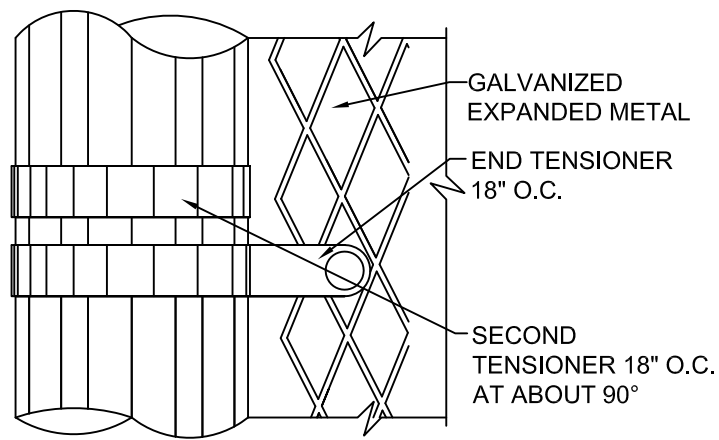
DRAWN BY: JCM
SCALE: AS SHOWN
DRAWING NO: A-15

REVISION DATE:
PROJECT MANAGER: J.C.M.
DIRECTOR: HJF
PIN: 072201809CPD
DATE: SEPT. 5, 2018

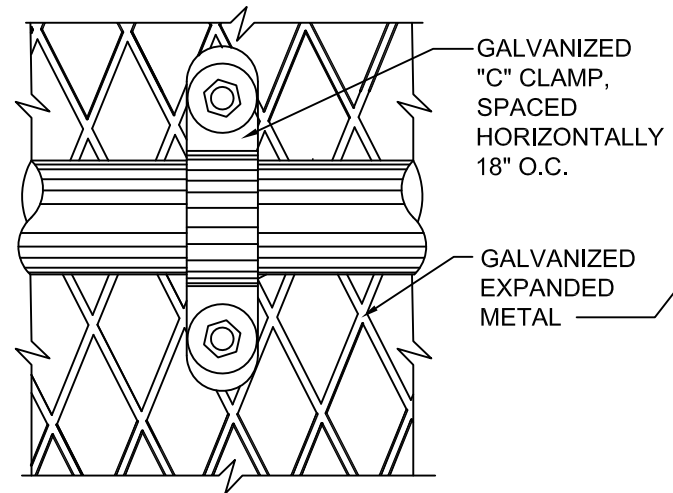
TITLE/PROJECT/LOCATION
FENCING REQUIREMENT CONTRACT
DROP-CURB & ADA PRKG STRIPING / SIGN DETAILS

THE CITY OF NEW YORK
DEPARTMENT OF CORRECTION
DIVISION OF CAPITAL PROJECT
PLANNING AND DEVELOPMENT

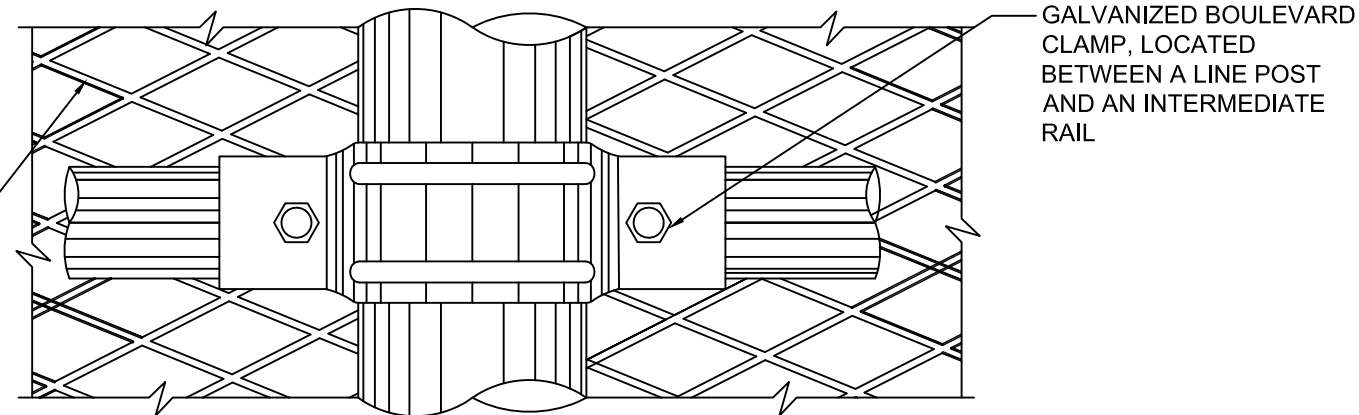




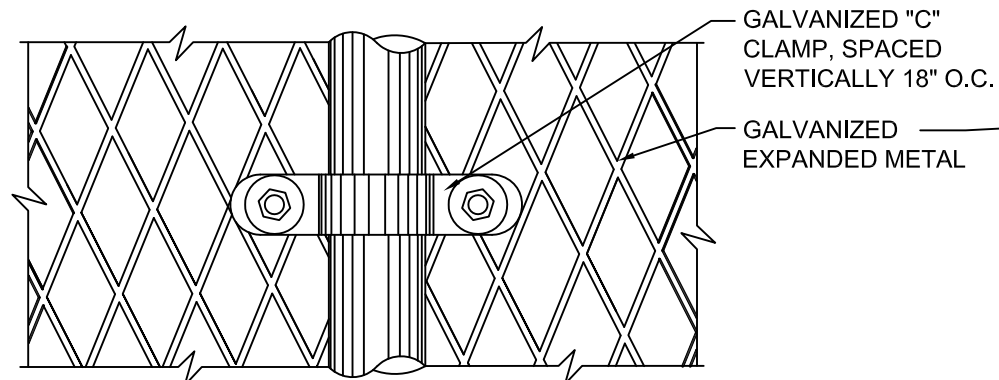
1 END TENSIONER
NOT TO SCALE



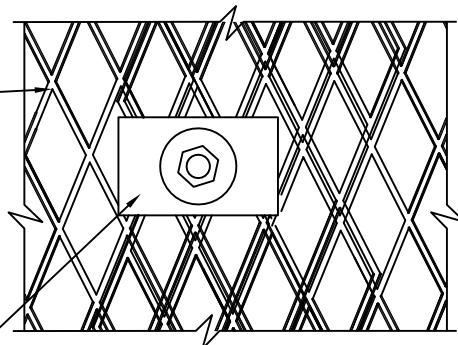
2 "C" CLAMP (HOR. RAILS)
NOT TO SCALE



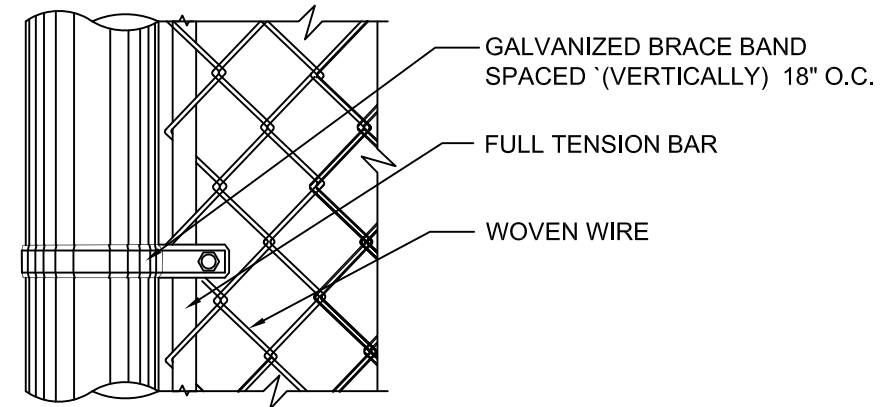
3 GALVANIZED BOULEVARD CLAMP
NOT TO SCALE



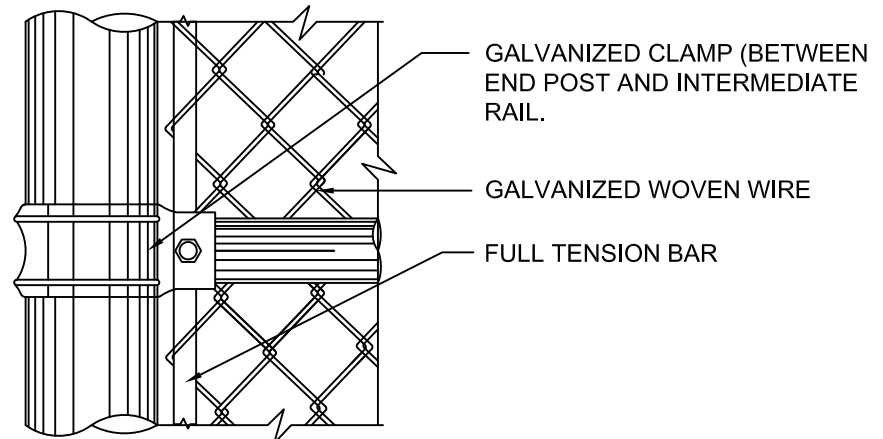
4 "C" CLAMP (VERTICAL RAILS)
NOT TO SCALE



5 CLAMP BARS
NOT TO SCALE



6 BRACE BAND
NOT TO SCALE



7 GALVANIZED CLAMP
NOT TO SCALE

REVISION DATE:	DRAWN BY:	JCM	SCALE:	AS SHOWN	DRAWING NO:	A-16
	PROJECT MANAGER:	J.C.M.	PIN:	072201809CPD		
TITLE/PROJECT/LOCATION		FENCING REQUIREMENT CONTRACT				
FENCE DETAILS						
THE CITY OF NEW YORK		DEPARTMENT OF CORRECTION				
		DIVISION OF CAPITAL PROJECT PLANNING AND DEVELOPMENT				
CORRECTION DEPARTMENT		CITY OF NEW YORK				