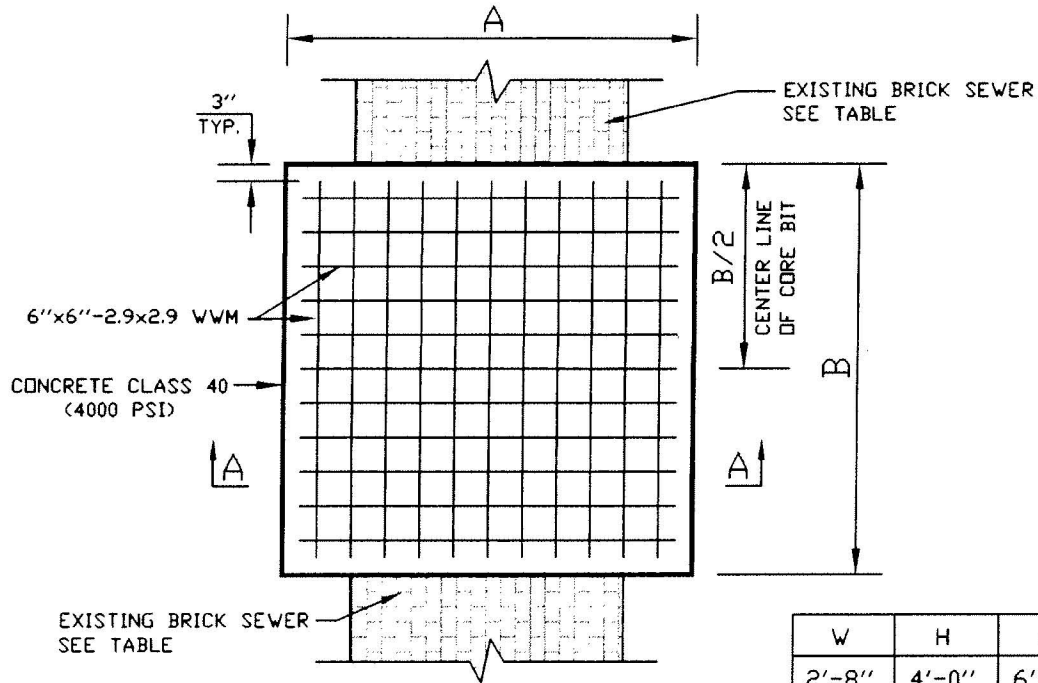




DEPARTMENT OF ENVIRONMENTAL PROTECTION  
BUREAU OF WATER & SEWER OPERATIONS

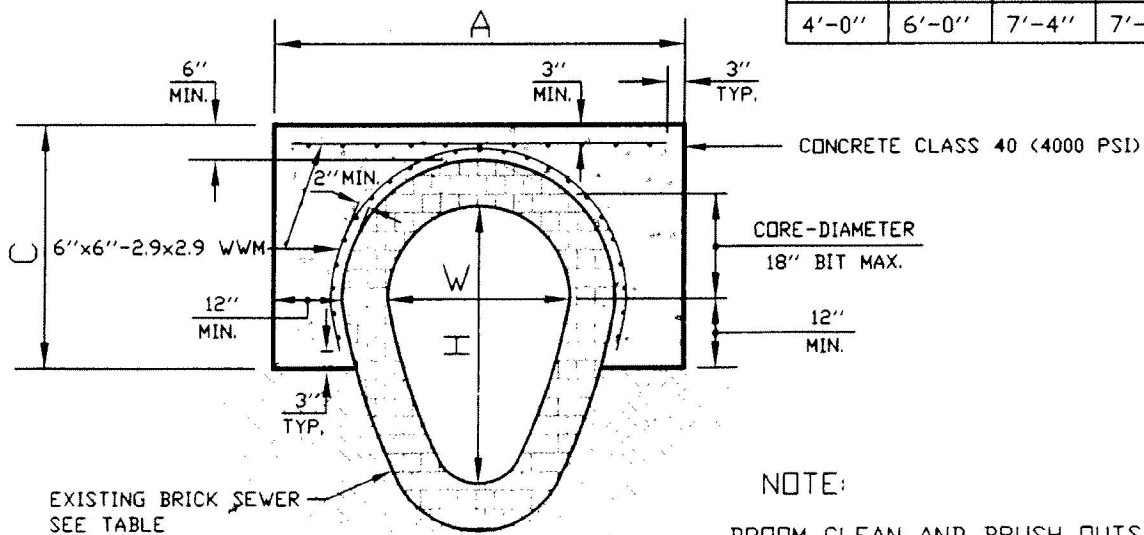
**SPECIFICATIONS FOR DRILL-IN/CORING OF BRICK SEWERS**

CORING 12" TO 16" DIA. CONNECTIONS TO 4'-0" x 2'-8" OR LARGER BRICK SEWER



PLAN VIEW  
N.T.S.

W	H	A	B	C
2'-8"	4'-0"	6'-0"	6'-0"	3'-6"
3'-0"	4'-6"	6'-4"	6'-4"	3'-8"
3'-4"	5'-0"	6'-8"	6'-8"	3'-10"
3'-8"	5'-6"	7'-0"	7'-0"	4'-0"
4'-0"	6'-0"	7'-4"	7'-4"	4'-2"



SECTION A-A  
N.T.S.

NOTE:

BROOM CLEAN AND BRUSH OUTSIDE OF THE SEWER PRIOR TO POURING CONCRETE.