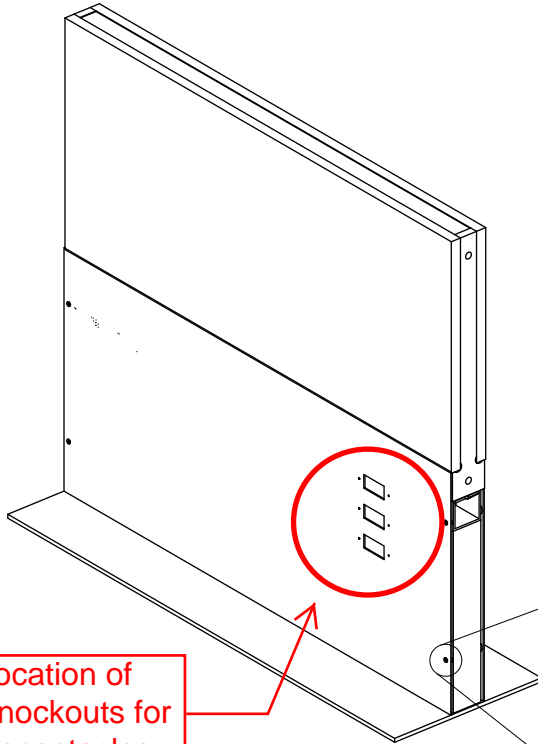


SAMSUNG: PARTITION ASSEMBLY INSTRUCTIONS

PARTITIONS WILL ARRIVE AS SEEN BELOW:



Location of
Knockouts for
Receptacles

GENERAL NOTE:

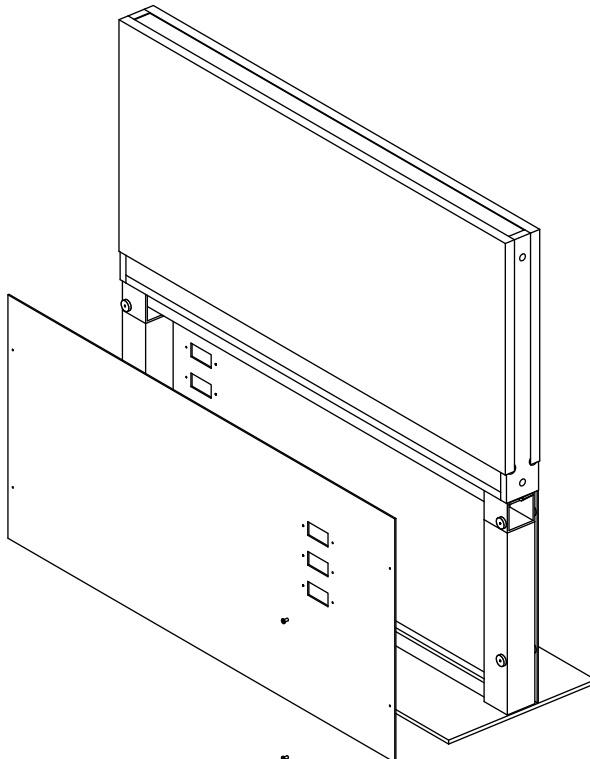
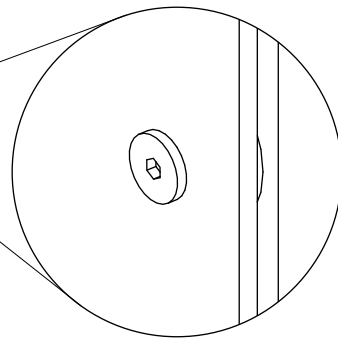
STEEL CANNOT BE TOUCHED WITH BARE HANDS!

INSTALLERS MUST NOT MOVE, TOUCH, OR HANDLE PARTITIONS WITHOUT RUBBER GLOVES.

(1) TO ACCESS INTERIOR OF PARTITION:

LOOK FOR SIDE WITH (QTY: 4) SOCKET HEAD CAP SCREWS

A 3/32" HEX KEY MUST BE USED TO REMOVE SCREWS



(2) WHEN REMOVING PANEL:

LIFT UP AND AWAY FROM BASE OF PARTITION, SO AS TO AVOID SCRATCHING THE FINISH

STEEL PANELS ARE **NOT INTERCHANGEABLE**

EACH REMOVABLE PANEL SHOULD REMAIN WITH THE BASE IT WAS REMOVED FROM. THE PANELS ARE SPECIFIC TO EACH BASE.

(3) WHEN RE-INSTALLING PANEL:

POSITION PANEL WITH HOLES OVER THREADED SLUGS.

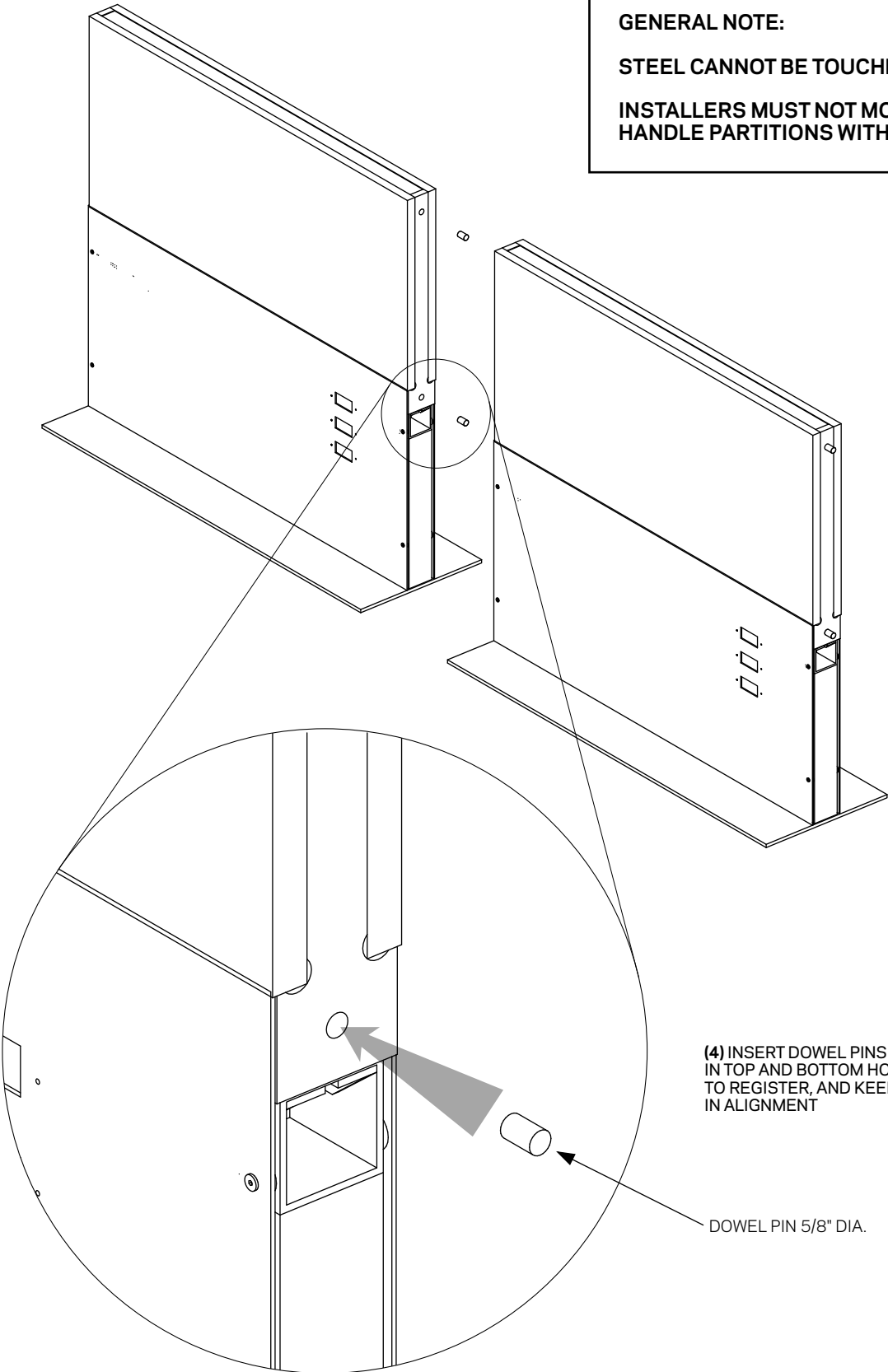
MAKE SURE ELECTRICAL CUTOUTS ARE LOCATED IN THE UPPER RIGHT HAND CORNER.

TIGHTEN SCREWS UNTIL SNUG.

DO NOT OVER-TIGHTEN, AS THE SCREWS MAY STRIP.

SAMSUNG: PARTITION ASSEMBLY INSTRUCTIONS

GENERAL NOTE:
STEEL CANNOT BE TOUCHED WITH BARE HANDS!
INSTALLERS MUST NOT MOVE, TOUCH, OR HANDLE PARTITIONS WITHOUT RUBBER GLOVES.



SAMSUNG: PARTITION ASSEMBLY INSTRUCTIONS

GENERAL NOTE:

STEEL CANNOT BE TOUCHED WITH BARE HANDS!

INSTALLERS MUST NOT MOVE, TOUCH, OR HANDLE PARTITIONS WITHOUT RUBBER GLOVES.

