

TYPE : C-ALT
 VOLT : 120/12V - CONFIRM
 LAMP: LED 2700K (INCLUDED)
 DIM : MLV
 RUNS: 2@2', 40@3', 180@4', 180@5', 159@6', 79@7', 67@8', 61@9',
 139@10', 163@11', 74@12', 61@13', 73@14', 9@15', 32@16', 40@17',
 62@18', 46@19', 50@20', 12@21', 17@22', 4@23', 8@26', 5@28', 8@29',
 7@30', 24@32', 2@34', 1@36', 18@41', 1@46' & 1@47' - CONFIRM

FLEX2I-27/M300L12DC/FL2IFC
 FLX-MIN/FLK-MOL/FLK-ZMB
 W/ FLEX MINI CHANNEL
 W/ 300W REMOTE POWER SUPPLY
 W/ INTERIOR FEED CABLES AS REQUIRED
 CONFIRM OPAL LENS
 CONFIRM MOUNTING CLIPS

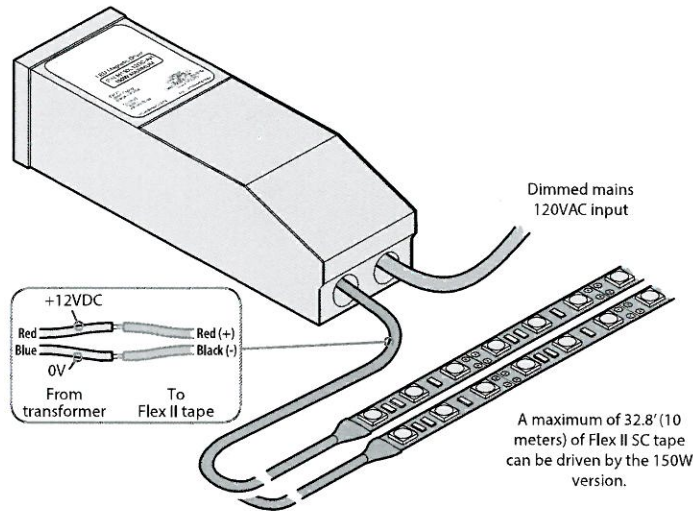
ACCLAIM
LIGHTING

Flex II Interior™

Wiring

For additional configurations, please consult the user guide, available at acclaimlighting.com

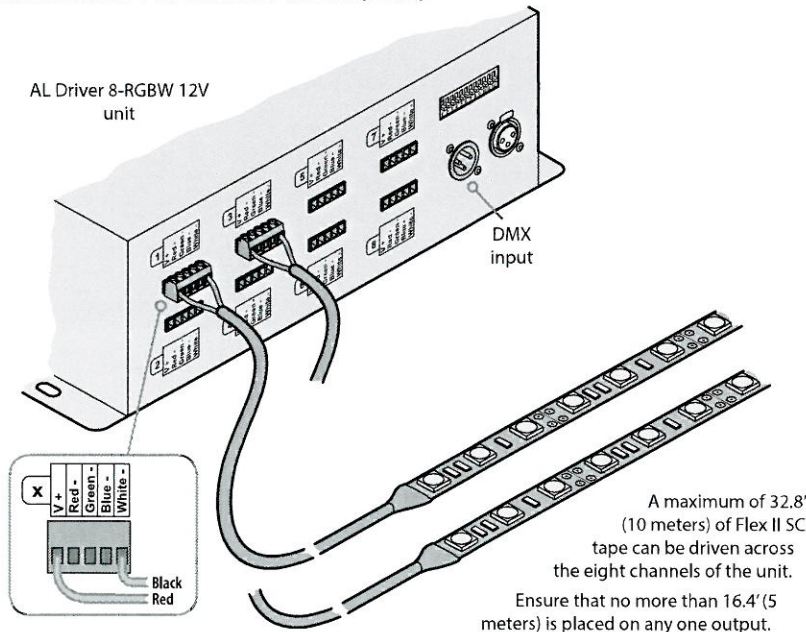
Flex II Interior + M150L12DC (LVM)



Wire size guide

Gauge	Cond.	Max feet to flex
18 AWG	2	20
14 AWG	2	50
12 AWG	2	90

Flex II Interior + AL Driver 8 RGBW (DMX)

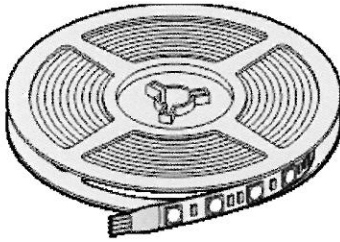


TYPE : C-ALT
 VOLT : 120/12V - CONFIRM
 LAMP: LED 2700K (INCLUDED)
 DIM : MLV
 RUNS: 2@2', 40@3', 180@4', 180@5', 159@6', 79@7', 67@8', 61@9',
 139@10', 163@11', 74@12', 61@13', 73@14', 9@15', 32@16', 40@17',
 62@18', 46@19', 50@20', 12@21', 17@22', 4@23', 8@26', 5@28', 8@29',
 7@30', 24@32', 2@34', 1@36', 18@41', 1@46' & 1@47' - CONFIRM

FLEX2I-27/M300L12DC/FL2IFC
 FLX-MIN/FLK-MOL/FLK-ZMB
 W/ FLEX MINI CHANNEL
 W/ 300W REMOTE POWER SUPPLY
 W/ INTERIOR FEED CABLES AS REQUIRED
 CONFIRM OPAL LENS
 CONFIRM MOUNTING CLIPS

Flex II Interior™

ACCLAIM
LIGHTING



Client: _____
 Project: _____
 Type: _____
 Order Code: _____
 Quantity: _____

Flex II Interior is a high output, low voltage, thin and flexible LED circuit strip in a 16.4' spool. It can be cut every two inches to create the exact length needed for your specific application. It is available in 2400K, 2700K, 3000K, 3500K, & 4000K, is 3W per foot, and features a lumen output of 303 per foot (@ 4000K). The combination of it's high output and low profile allows for a wide variety of cove, millwork, signage, and many other interior applications.

Specifications

Color Temperature	2400K, 2700K, 3000K, 3500K, 4000K
Spool Length + Cut Points	16.4' (5m), Cut points every 2" (50mm)
Beam Angle	120°
Max Fixture Runs	16.4' (5m) - 1 spool maximum
Photometrics	303 total lumens, 86 CRI (4000K LM-79, 1' section tested)
Dimming Protocol	Symmetric forward phase control (MLV) or DMX
Mounting	3M VHB adhesive backing included, optional aluminum channels
Power Consumption	50W @ 16.4' (1 Spool), minimum 3W per foot
Operating Voltage	12VDC
Lumen Maintenance	L70 @ 50,000 Hours (25° C)
Finish	White (v2), Copper (v1)
Housing Material	Copper strip
Operating Temperature	32°F to 104°F (0°C to 40°C)
IP Rating	IP20, Dry Location
Fixture Connectors	3.28' (1m) Attached feed cable included
Warranty	3 Years Standard, 5 Years Optional (additional charge)
Weight	1 lbs (0.5 kg)
Dimensions	W 0.43" x H 0.18" x L 16.4' (11.11 x 4.7 x 5000mm)

Certifications

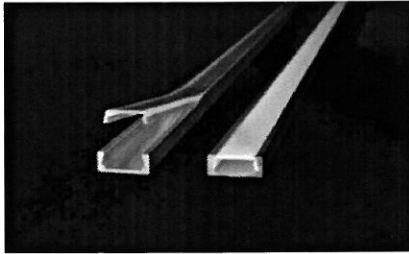


TYPE : C-ALT
 VOLT : 120/12V - CONFIRM
 LAMP : LED 2700K (INCLUDED)
 DIM : MLV
 RUNS : 2@2', 40@3', 180@4', 180@5', 159@6', 79@7', 67@8', 61@9',
 139@10', 163@11', 74@12', 61@13', 73@14', 9@15', 32@16', 40@17',
 62@18', 46@19', 50@20', 12@21', 17@22', 4@23', 8@26', 5@28', 8@29',
 7@30', 24@32', 2@34', 1@36', 18@41', 1@46' & 1@47' - CONFIRM

FLEX2I-27/M300L12DC/FL2IFC
 FLX-MIN/FLK-MOL/FLK-ZMB
 W/ FLEX MINI CHANNEL
 W/ 300W REMOTE POWER SUPPLY
 W/ INTERIOR FEED CABLES AS REQUIRED
 CONFIRM OPAL LENS
 CONFIRM MOUNTING CLIPS

Flex Mini Channel

ACCLAIM
LIGHTING



Client: _____
 Project: _____
 Type: _____
 Order Code: _____
 Quantity: _____

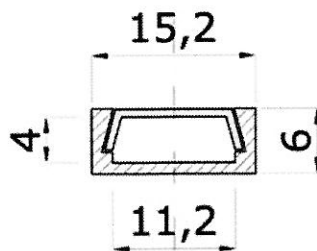
The **Flex Mini Channel** is a anodized aluminum channel for Acclaim Flex Interior products. It features a low profile design which can also accept clear, frosted or opal lenses.

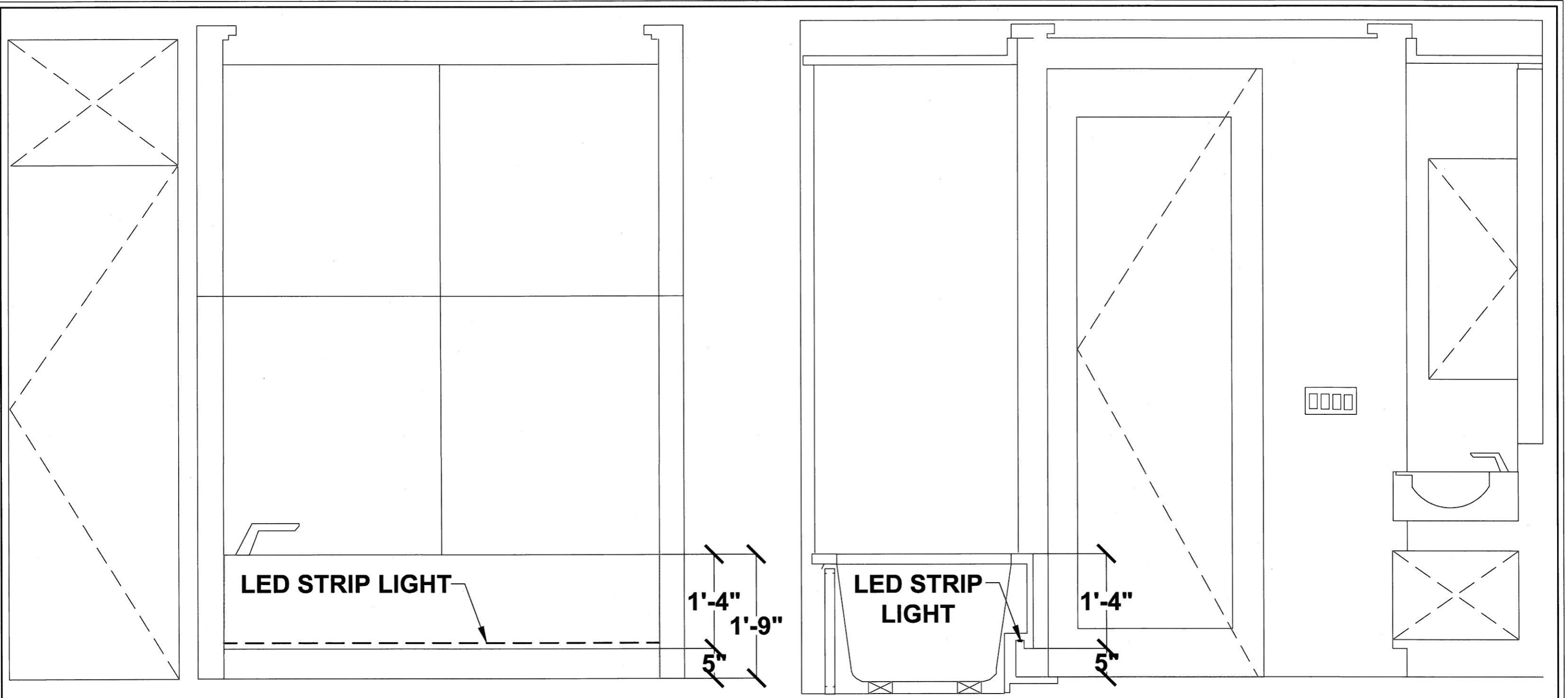
Compatible with: Flex II Interior, Flex II Interior RGB

Specifications

Length	1m (3.28), Cut to length as needed
Material	Double Anodized Aluminum, Polycarbonate Lenses
IP Rating	IP22, Dry Location
Area Temperature	32° F - 104° F (0° C - 40° C)
Warranty	3 Years
Mounting	via Flex Zinc Mounting Bracket (Sold Separately)
Weight	3 lbs. / 1.4 kg (1'), 12 lbs / 5.4 kg (4')
Dimensions	L: 39.3" W: 0.6" H: 0.23" (1000mm W: 15.2mm H: 6mm)

Dimensions





LED STRIP LIGHT

1'-4"
1'-9"
5"

LED STRIP LIGHT

1'-4"
5"

SIDE ELEVATION

BACK ELEVATION