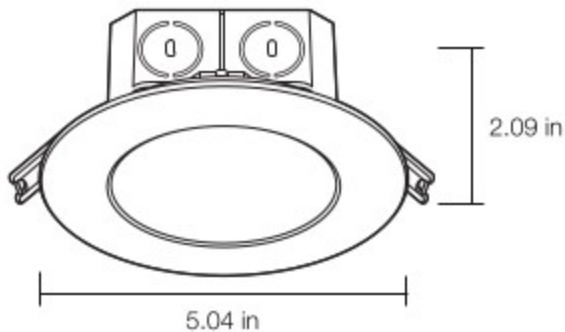


PRODUCT SPECIFICATIONS

4 in LED Integrated (6 pack)



91514  
SKU# 1005591796



**ADVANTAGES**

- 60 Watt Equivalent
- 35,000 Hours of Continuous Use
- 5 Year Warranty
- Slim design allows for installing on almost any shallow ceiling application
- Dimming to 10% Without Buzzing or Flickering
- IC Rated for Direct Contact with Insulation
- 90 CRI Provides High Color Quality
- Soft White (3000k)

**SPECIFICATIONS**

Model Number	91514
SKU	1005 591 796
OSMID	313556960
Power	8 W
AC Voltage, Frequency	120V, 60 Hz
Color Temp (nom.)	3000K
Operation Temp	-13°F ~ 113°F
CRI	90
Lumen Output (min.)	450 lm
Dimming	YES
Lifetime Rating	L70/35000Hrs
Efficacy	56 lm/watt

**PACKAGING**

Weight (±0.5 lb)	0.84 lbs
Size (L x W x H) (±0.1 in)	5.04 in x 5.04 in x 2.09 in
Box Dimensions	7.32 in x 11.41 in x 5.62 in
Gross Weight	3.75 lbs
UPC	058219915141

**DIMMER LIST**

LUTRON		
CTCL-153PDH-W	DVCL-153P-WH	SLV-600P-WH
CTCL-153PDH-WH	DV-600PR-WH	LGCL-153PLH-WH
DVWCL-153PH-WH	DV-600PR-BL	DVW-603PGH-WH
MSCL-OP153M-WH	TG-600PR-WH	DV-LV-600PH
TG-600PR-LA	S-600P-WH	DV-103P-WH
TGCL-153PH-WH	TG-603PGH-WH	MRF2-6ND-120WH
S-600P-WH	S2-LH	MALVD-600-WH
JAY-600P-LA	DVELV-300P-WH	PD-10KND-WH

COOPER
DIAL06P-C2

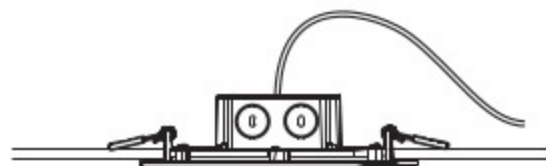
LEVITON
8674
S2-LH
8683
8672



**INCLUDED IN BOX**

- LED Downlight (1)
- Hole Template (1)

**NEW CONSTRUCTION OR REMODEL**



**APPLICATIONS**

Suitable for Wet Locations

Contact Information 1-877-527-0313 · WWW.HOMEDEPOT.COM