

SKETCH NO.:

**AB-001**

SHEET:

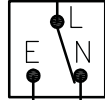
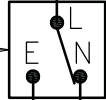
**1** OF **1**

LEGALLY REQUIRED  
STANDBY  
ARTICLE 700/701



OPTIONAL STANDBY  
ARTICLE 702

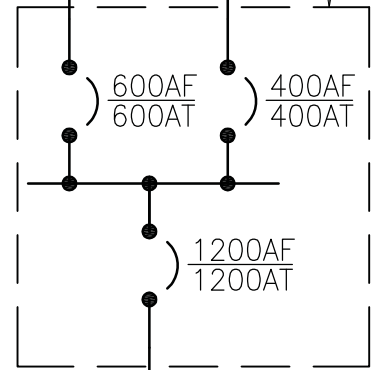
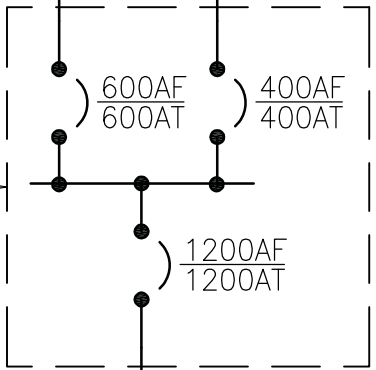
ARTICLE 700/701



ARTICLE 702

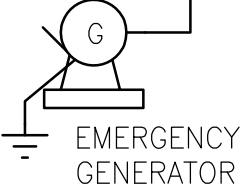
DEDICATED NORMAL DISTRIBUTION  
BOARD FEEDING AUTOMATIC  
TRANSFER SWITCHES

DEDICATED EMERGENCY  
DISTRIBUTION BOARD  
FEEDING AUTOMATIC  
TRANSFER SWITCHES



EMDB, 1200A,  
120/208V, 3 $\phi$ , 4W

NMDB, 1200A,  
120/208V, 3 $\phi$ , 4W



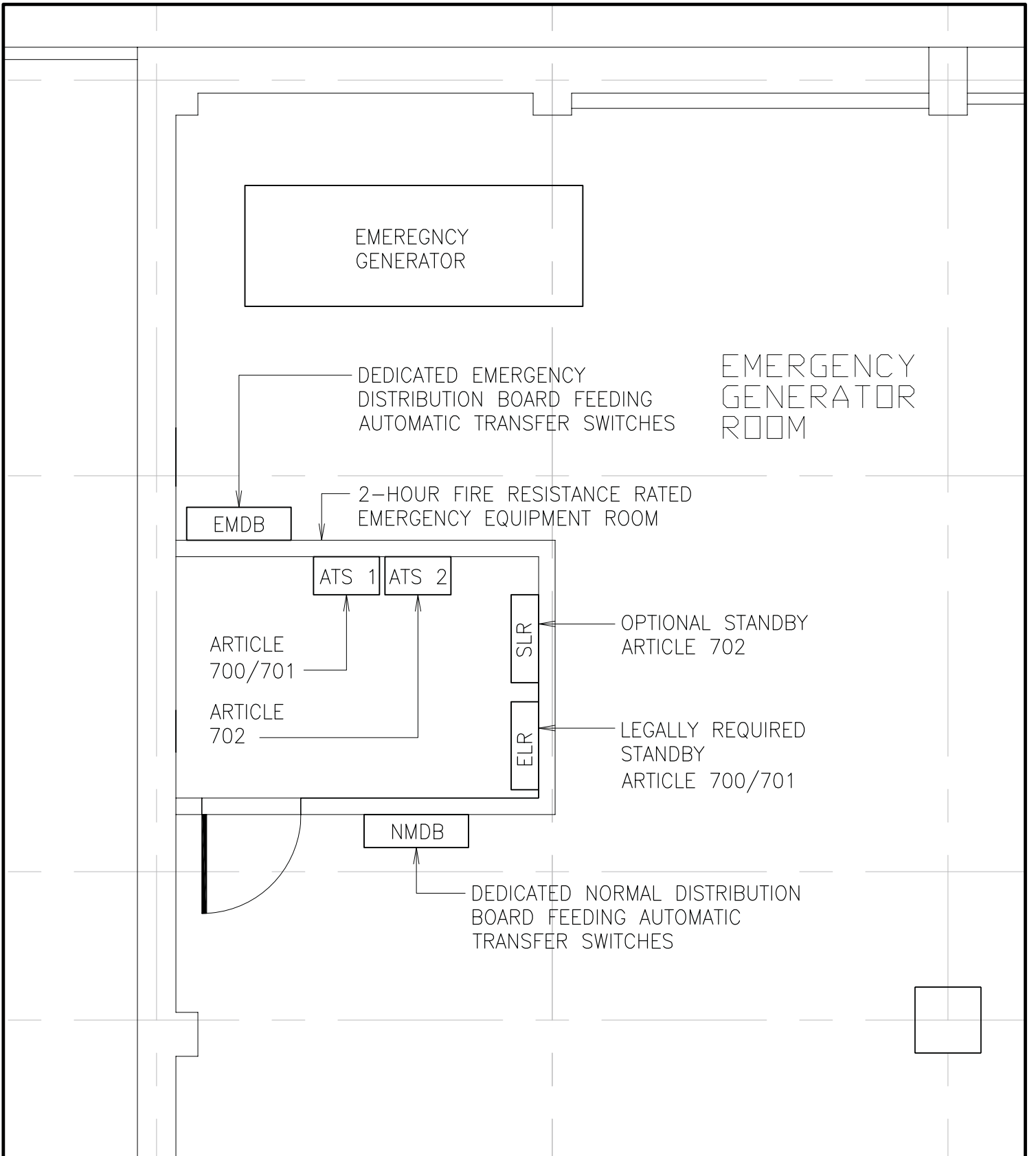
TO MAIN  
DISTRIBUTION  
BOARD

SKETCH NO.:

**AB-002**

SHEET:

**1** OF **1**



SKETCH NO.:

**AB-003**

SHEET: 1 OF 1