

**CITY OF NEW YORK
DEPARTMENT OF BUILDINGS**

Pursuant to Administrative Code Section 27-131, the following equipment or material has been found acceptable for use in accordance with the Report of Materials and Equipment Acceptance (MEA) Division.

Satish K. Babbar, R.A., Acting Commissioner
MEA 41-00-M Vol. II
Report of Material and Equipment Acceptance Division

Manufacturer – W.R. Grace, 62 Whitmore Avenue, Cambridge, MA 02140.

Trade Name – Flamesafe®, FS3000, FS900+.

Product - Fill, void or cavity material for fire protection.

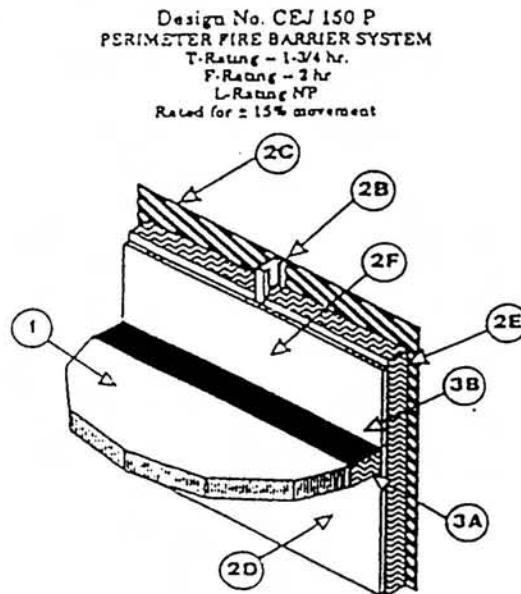
Pertinent Code Section(s) -27-345.

Prescribed Test(s) - ASTM E814 (ANSI/UL 1749).

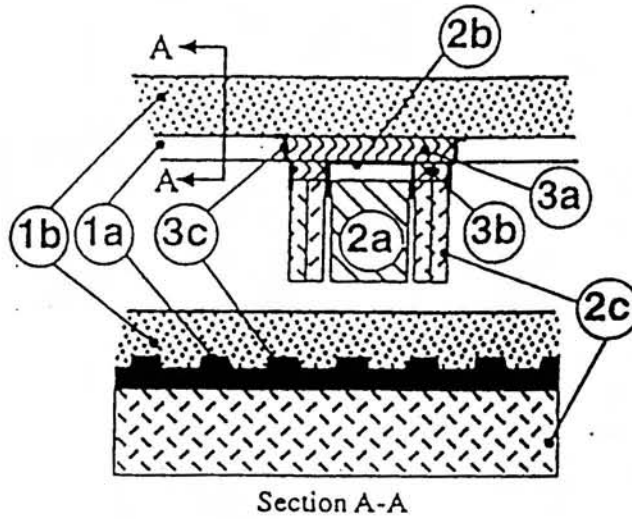
Laboratories - Underwriters Laboratories Inc., and Omega Point Laboratory.

Test Report(s) - ULR11636, dated December 10, 1999 and 99NK4949 dated January 2000. Omega No. 15979-104 (851, 329, 668).

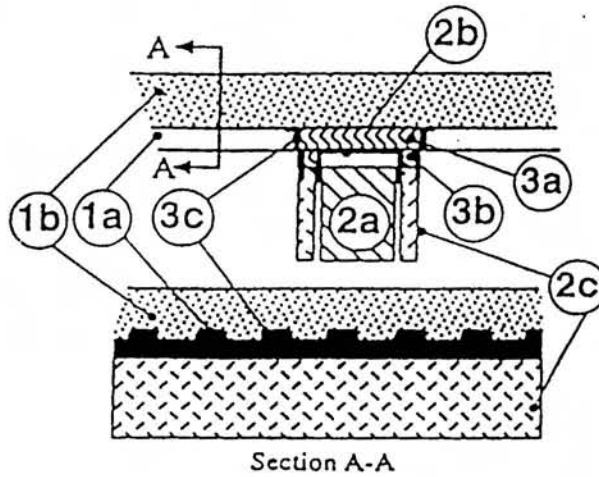
Description – FS3000 water based, elastomeric sprayable coating use in curtain wall, joints construction and head of wall applications flexible membrane seal suitable for exterior/interior and thermal expansion/contraction environments. FS900+ elastomeric, endothermic sealant used for applications that do not require an intumescent sealant. Joint configurations (floor to floor, floor to wall, head of wall and wall to wall).



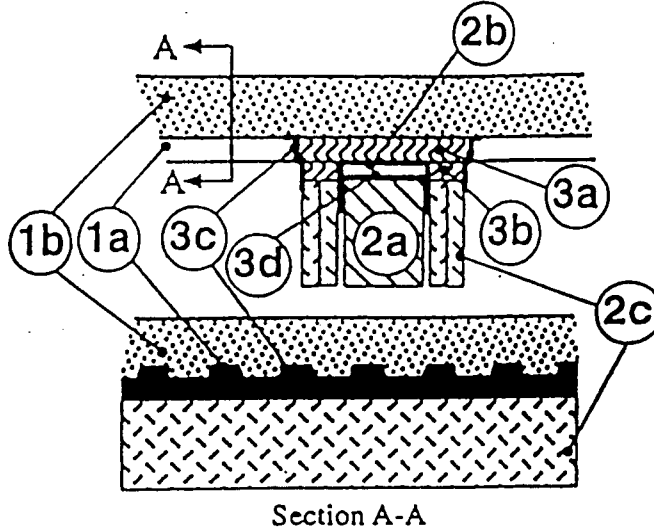
Design No. CEJ 146 H
Head of Wall Joint System
Rating - 2 hr
500 cycles @ 1 cpm \pm 25% Movement



Design No. CEJ 147 H
Head of Wall Joint System
Rating - 1 hr
500 cycles @ 1 cpm \pm 25% Movement

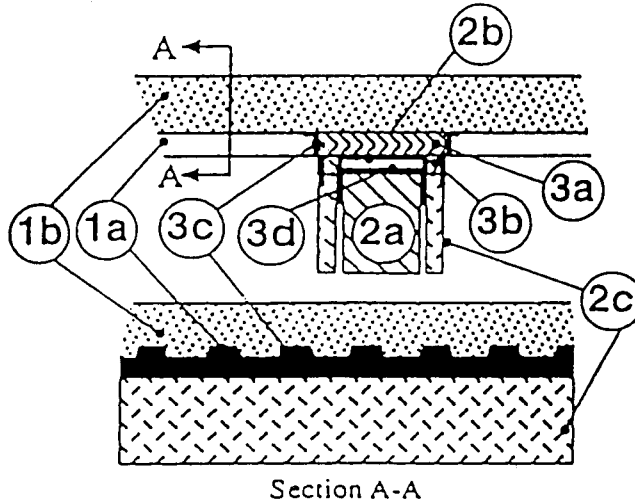


Design No. CEJ 148 H
Head of Wall Joint System
Rating - 2 hr
500 cycles @ 1 cpm \pm 25% Movement



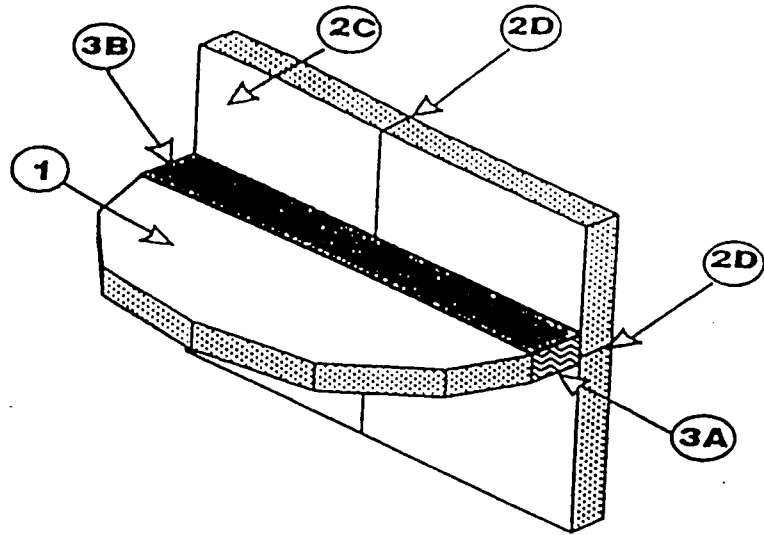
Section A-A

Design No. CEJ 149 H
Head of Wall Joint System
Rating - 1 hr
500 cycles @ 1 cpm \pm 25% Movement

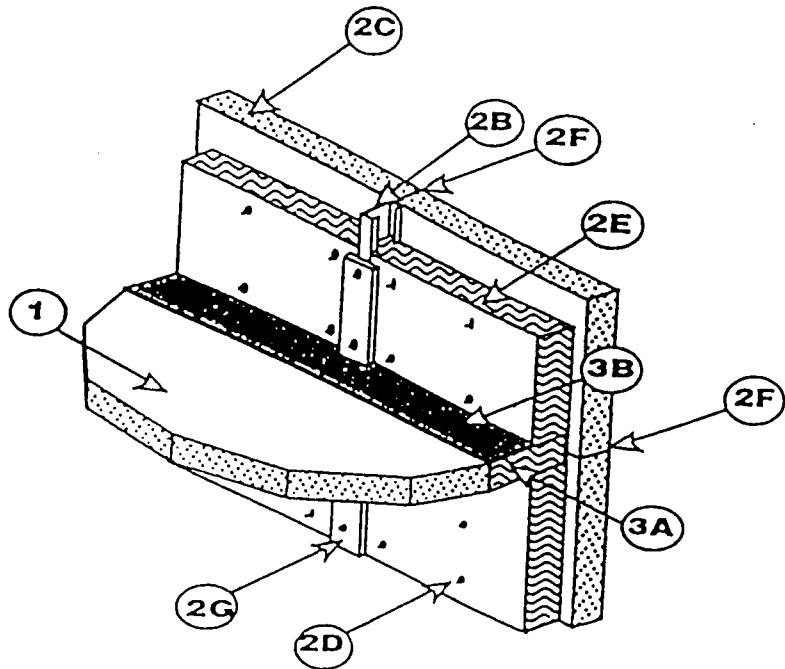


Section A-A

Design No. CEJ 151 P
PERIMETER FIRE BARRIER SYSTEM
T-Rating -- 1-3/4 hr.
F-Rating -- 2-1/2 hr
L-Rating NR
Rated for $\pm 15\%$ movement



Design No. CEJ 152 P
PERIMETER FIRE BARRIER SYSTEM
T-Rating -- 1-3/4 hr.
F-Rating -- 2-1/2 hr
L-Rating NR
Rated for $\pm 15\%$ movement



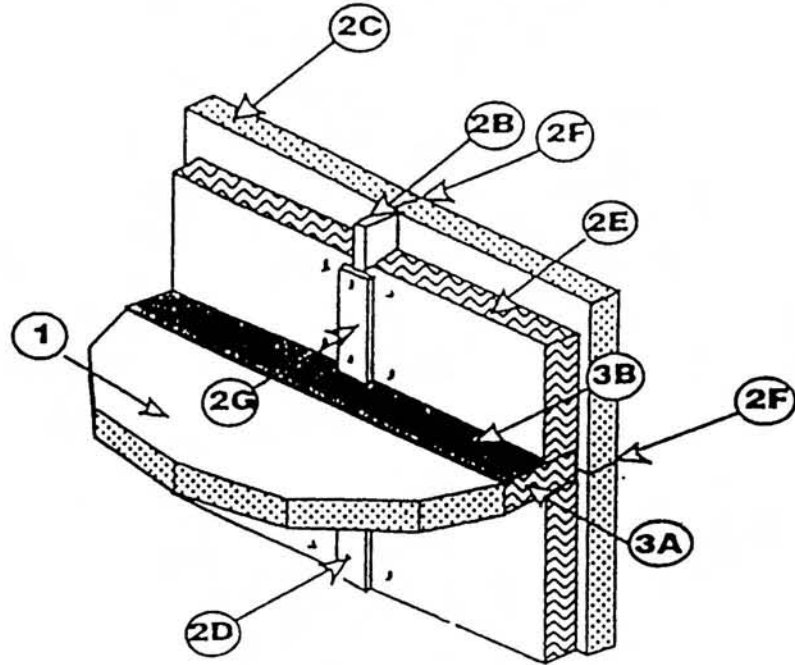
PERIMETER FIRE BARRIER SYSTEM

T-Rating -- 1-3/4 hr.

F-Rating -- 2-1/2 hr

L-Rating NR

Rated for ± 15% movement



Design No. CEJ 154 P

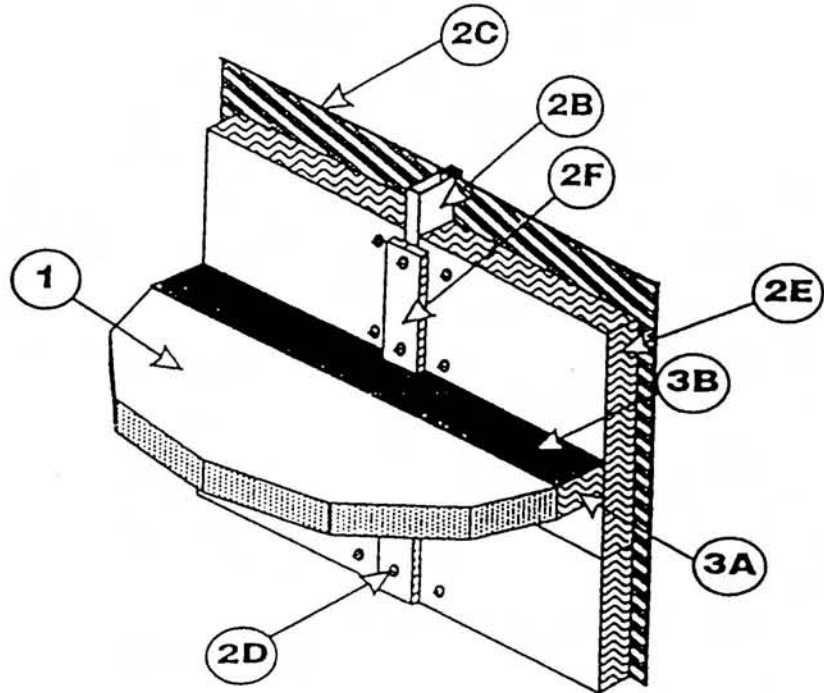
PERIMETER FIRE BARRIER SYSTEM

T-Rating -- 1/4 hr.

F-Rating -- 2 hr

L-Rating NR

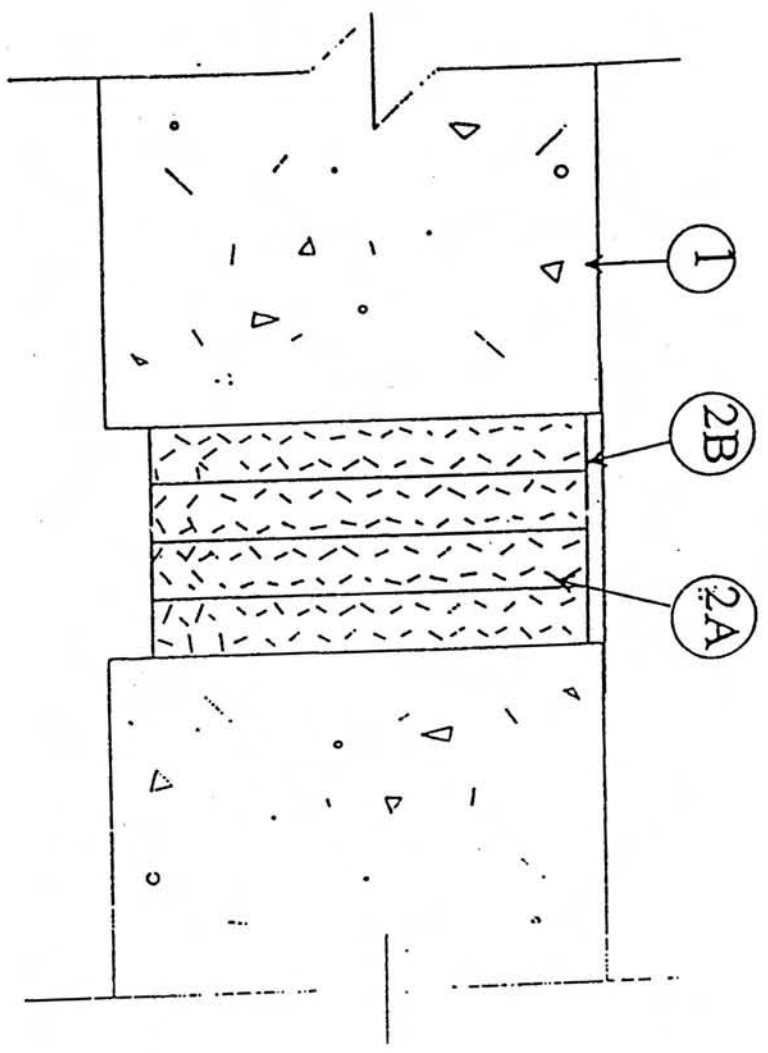
Rated for ± 15% movement..



SYSTEM NO. FF-D-1024

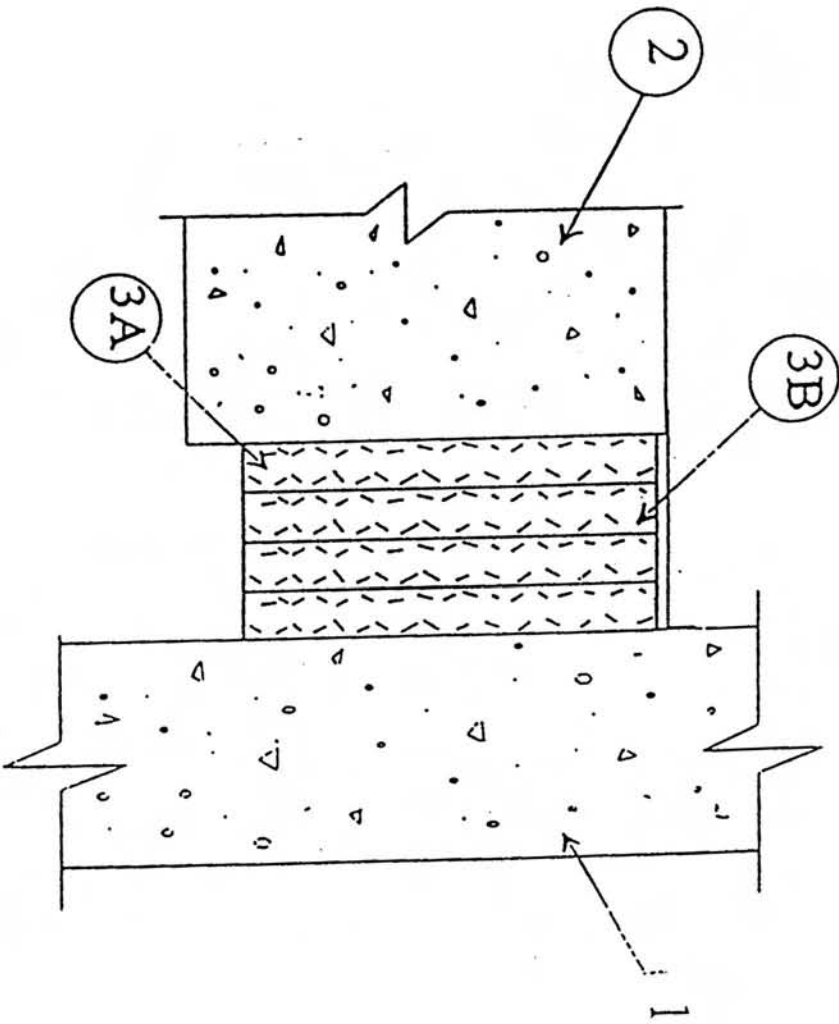
FF-D-1024-A CARD

ASSEMBLY RATING - 3 HR
NOMINAL JOINT WIDTH - 3-1/2 IN.
CLASS II MOVEMENT CAPABILITIES - 15% COMPRESSION OR EXTENSION



SYSTEM NO. FW-D-1020

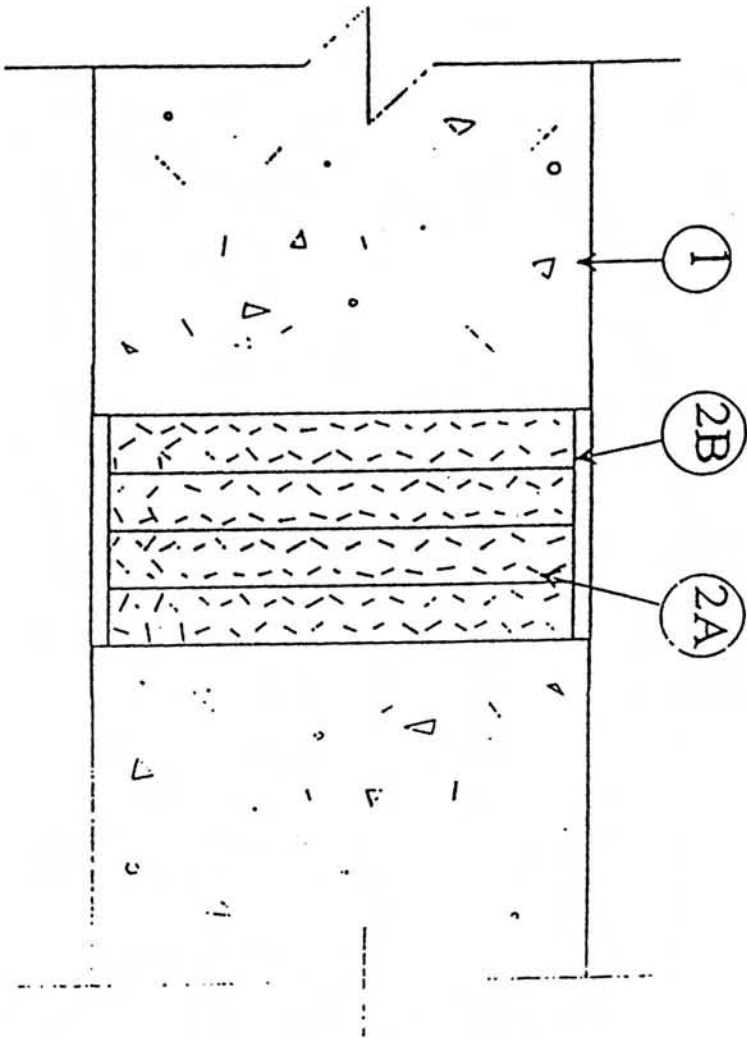
ASSEMBLY RATING - 3 HR
NOMINAL JOINT WIDTH - 3-1/2 IN.
CLASS II MOVEMENT CAPABILITIES - 15 % COMPRESSION OR EXTENSION



SYSTEM NO. WW-D-1028

WW-D-1028-A CARD

ASSEMBLY RATING - 3 HR
NOMINAL JOINT WIDTH - 3-1/2 IN.
CLASS II MOVEMENT CAPABILITIES - 15% COMPRESSION OR EXTENSION

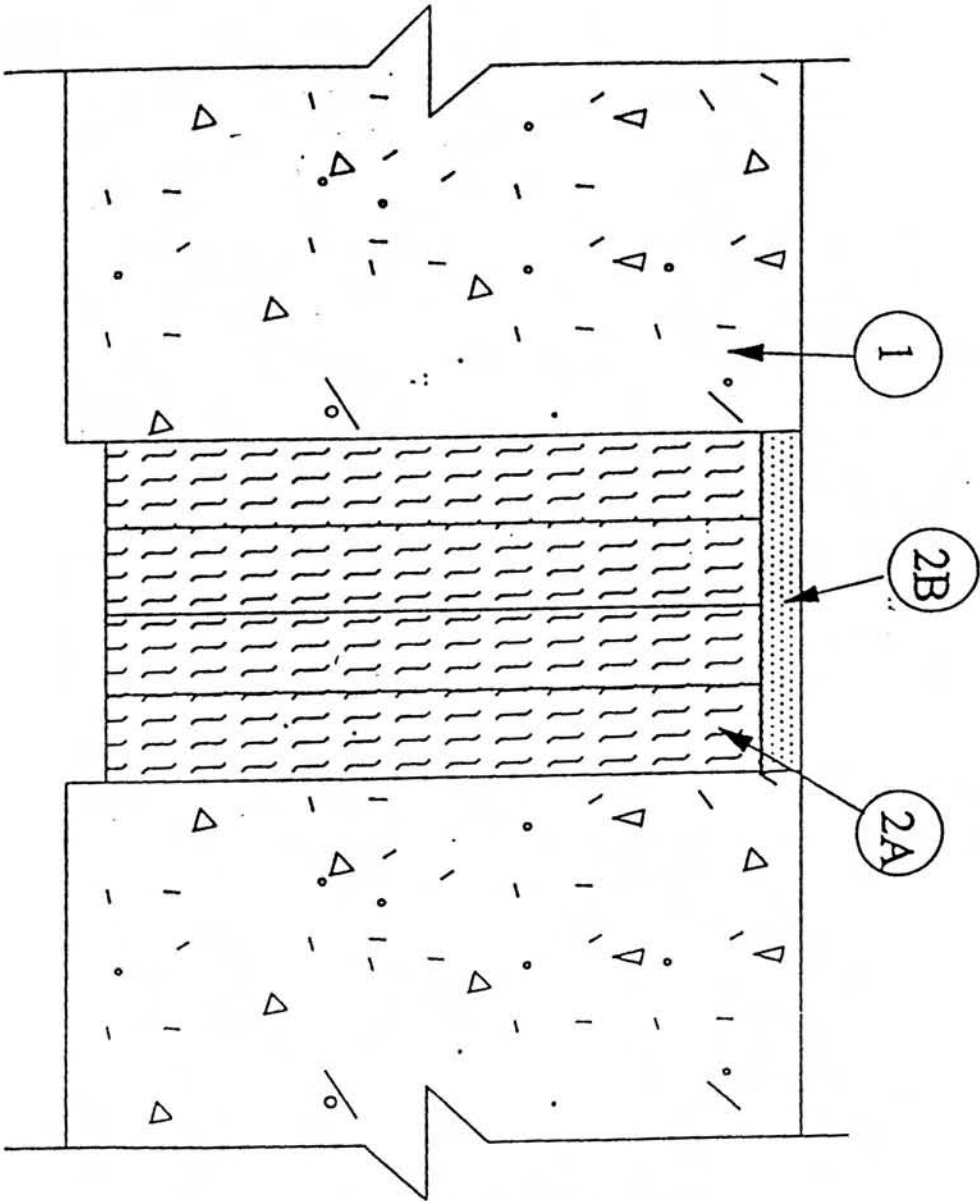


SYSTEM NO. FF-D-1027

ASSEMBLY RATING - 3 HR

NOMINAL JOINT WIDTH - 3-1/2 IN.

CLASS II MOVEMENT CAPABILITIES - 15% COMPRESSION OR EXTENSION

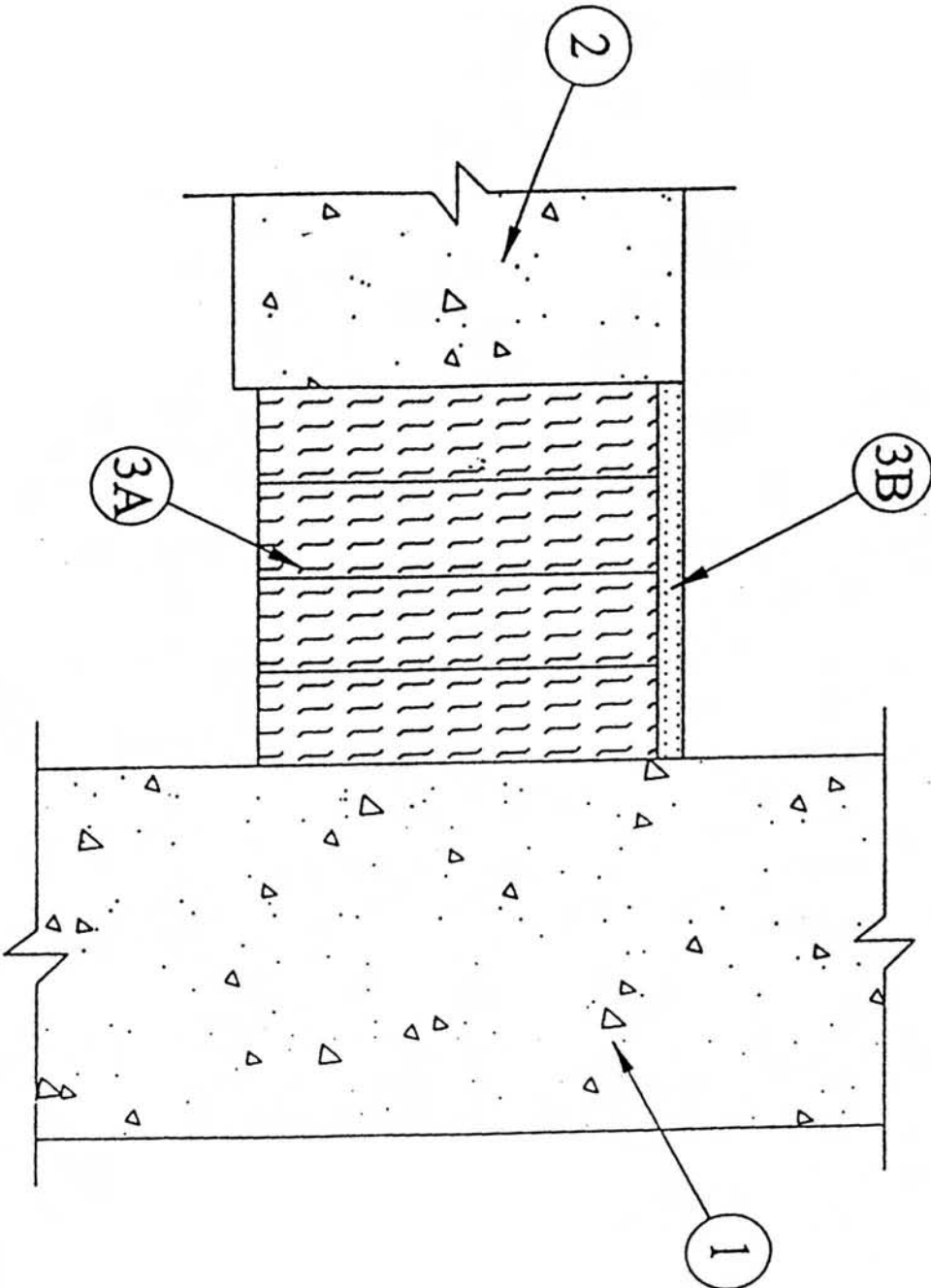


SYSTEM NO. FW-D-1024

ASSEMBLY RATING - 3 HR

NOMINAL JOINT WIDTH - 3-1/2 IN.

CLASS II MOVEMENT CAPABILITIES - 15% COMPRESSION OR EXTENSION

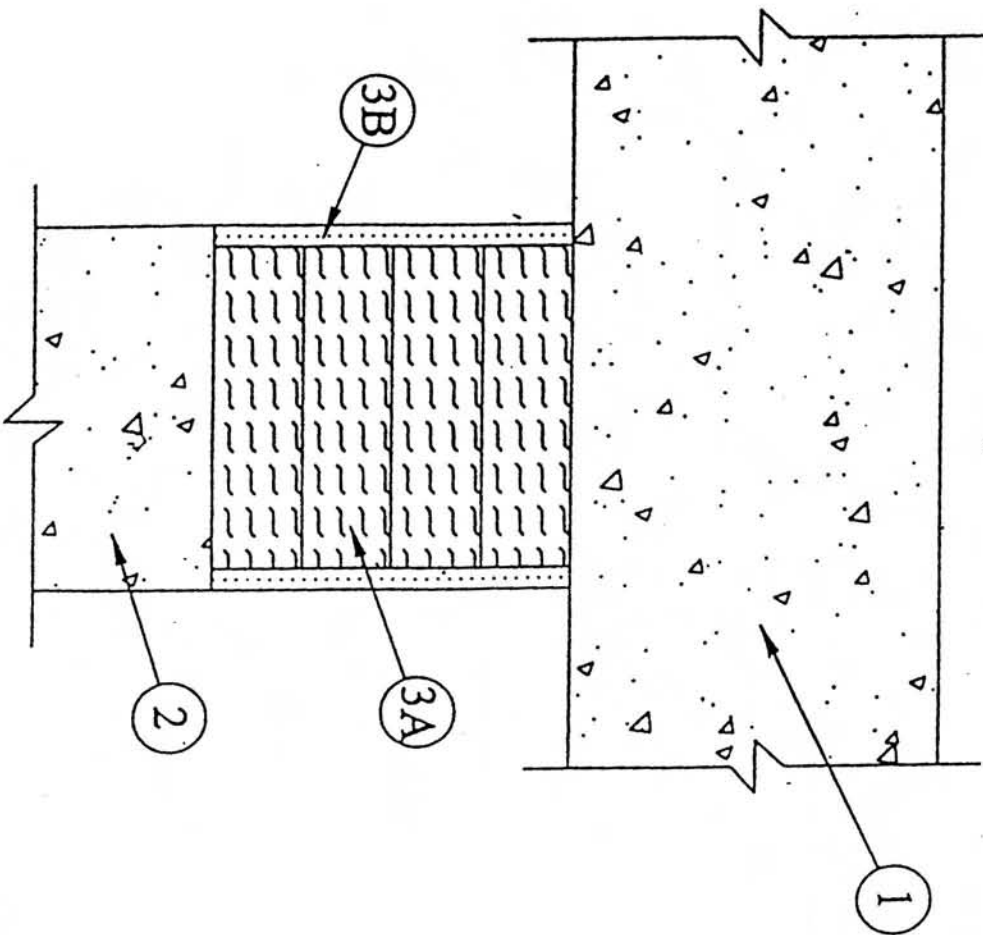


SYSTEM NO. HW-D-1024

ASSEMBLY RATING - 3 HR

NOMINAL JOINT WIDTH - 3-1/2 IN.

CLASS II MOVEMENT CAPABILITIES - 15% COMPRESSION OR EXTENSION



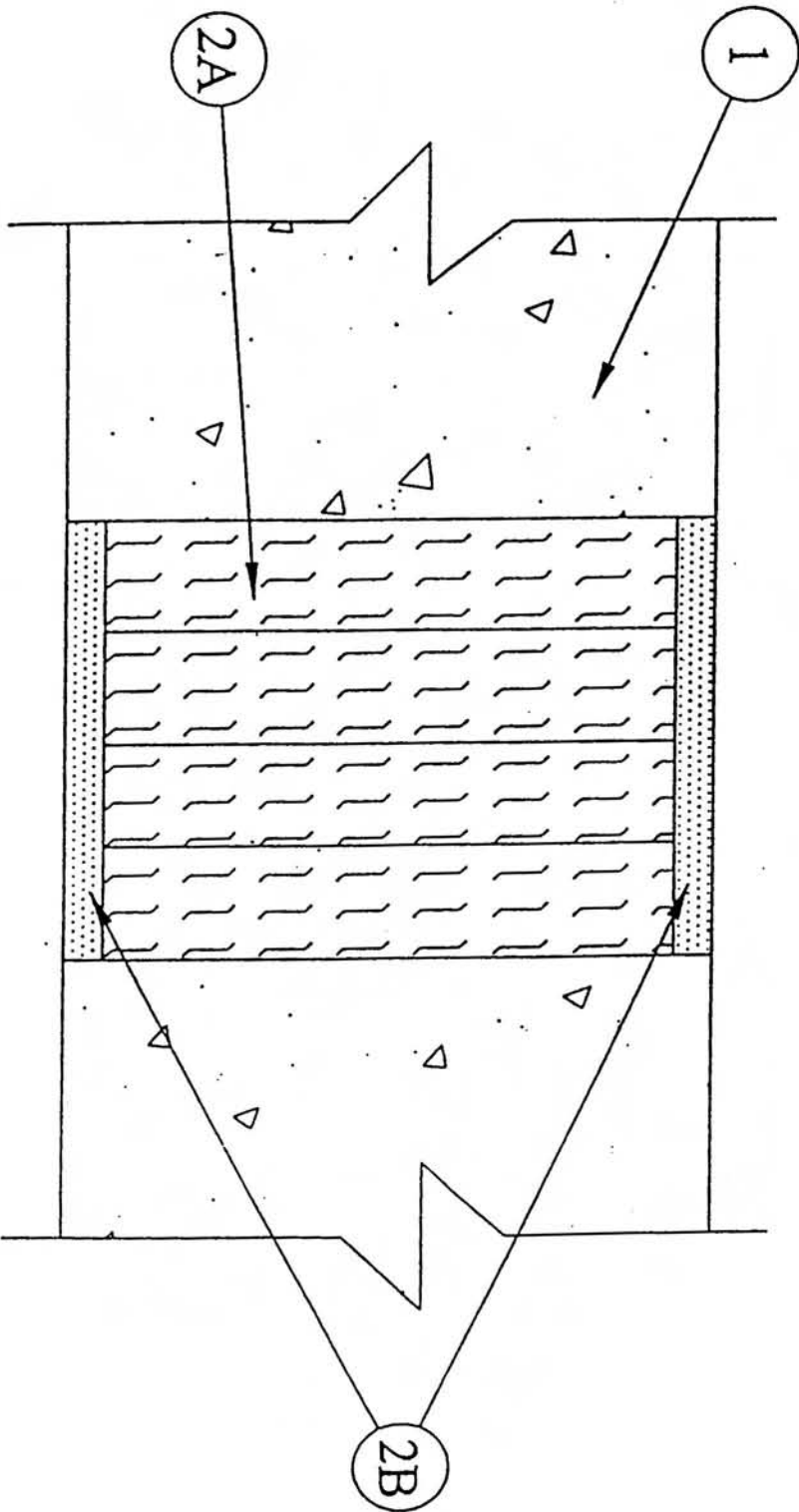
(CONT'D ON HW-D-1024-A CARD)

SYSTEM NO. WW-D-1029

ASSEMBLY RATING - 3 HR

NOMINAL JOINT WIDTH - 3-1/2 IN.

CLASS II MOVEMENT CAPABILITIES - 15% COMPRESSION OR EXTENSION



Recommendation - That the above described fill, void or cavity material, used to fill the remaining voids in wall assemblies with the above described fire protection rating, where electrical trays, cables, mechanical piping or ductwork pass through the assembly, be accepted for use in such assemblies when installed in accordance with the manufacturer's application instructions. Suitable support angles and fasteners are required for respective assemblies shall be provided in accordance with manufacturer's recommendations. All shipments and deliveries of such materials shall, in addition, be accompanied by a tag, certifying that the materials shipped or delivered is equivalent to those tested and accepted for use, as provided for in Section 27-131 of the Building Code.

Final Acceptance SEP 25 2000

Examined By S Deshpande