



Report of Materials and Equipment Acceptance Division

NYC Department of Buildings
280 Broadway, New York, NY 10007
Patricia Lancaster, FAIA, Commissioner
(212) 566-5000, TTY: (212) 566-4769

Pursuant to Administrative Code Section 27-131, the following equipment or material has been found acceptable for use subject to the terms and conditions contained herein.

MEA 296-06-M Vol. 2

Manufacturer: Marino/Ware, 400 Metuchen Road, South Plainfield, N.J. 07080

Trade Name(s): JoistRite

Product: 2-hour fire-rated floor-ceiling assembly, Class 1 construction

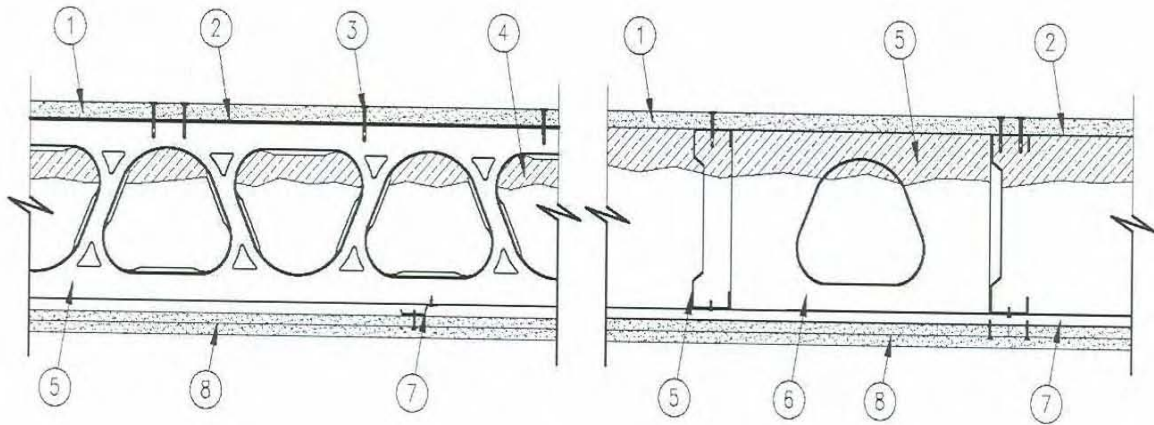
Pertinent Code Section(s): 27-323, 27-324, 27-280

Prescribed Test(s): RS 5-1 (ASTM E119)

Laboratory: VTEC Laboratories

Test Report(s): VTEC 100-2348 dated February 27, 2006, and VTEC letter dated June 6, 2006

Description: 10" minimum depth 16-gauge channel-shaped steel joists, 16" o.c. with ¾" Versaroc cement board screw-applied to top of joists. 4" thick Thermafiber insulation, nominal density 4 lb/cu ft. is friction-fit to the underside of cement board floor. Double layer ½" thick Firecode C gypsum board attached to 25-gauge galvanized resilient channels, secured perpendicular to the 16" o.c. one #10-616x ½ screw. The floor-ceiling assembly shall be constructed in accordance with thickness and insulation requirements in VTEC #100-2348 and manufacturer's requirements in achieving the fire-resistance rating in accordance with the testing procedure.



1. VERSAROC Board, $\frac{3}{4}$ " minimum thickness screw fastened direct to JoistRite Steel framing with #8 x 1-5/8" ITW Buildex S-12 Rock on Climacoat Screws. Fastener spacing 12" O.C. over the two perimeter 1000JR200-54 JoistRite joists, 16" O.C. over inner 1000JR200-54 JoistRite joists, and 8" O.C. over 1000JT250-54 JoistRite track. Alpha Systems' Pemco 5100 non-flammable Polyurethane based adhesive was used to seal the joint between the two pieces of VERSAROC.
2. 1000JR200-54 JoistRite Galvanized steel joists, 10" depth (minimum) x 16 gauge (minimum) x 2" flange width (minimum). Joists spaced at 16" O.C.
3. Double layer of $\frac{1}{2}$ " Type "C" gypsum board, First layer screw fastened to resilient furring channels with #6 x 1" drywall screws at 12" O.C. in the field and 6" O.C. along the edge. Second layer screw fastened with #6 x $1\frac{1}{4}$ " drywall screws at 12" O.C. in the field and 6" O.C. along the edge. This is a generic gypsum board listing, any UL Classified Board is acceptable for use.
4. Galvanized steel JoistRite web stiffener 1000JS-362, 3-5/8" x 16Ga, placed inside of perimeter JoistRite Track and placed on the web of the JoistRite steel joists. JoistRite Web Stiffener attached to web of JoistRite with six #10-16 x $\frac{1}{2}$ " corrosion resistant self-drilling screws through predrilled holes.
5. 1000JB-16 JoistRite Solid Blocking was placed between the second and third JoistRite joist and between the third and fourth JoistRite joist. Screw fastened to top and bottom flange of JoistRite joist with #10-16 x $\frac{1}{2}$ " corrosion resistant self-drilling screws through predrilled holes.
6. Marinoware RC-1 single leg galvanized resilient channel, $\frac{1}{2}$ " deep x 25Ga minimum at 16" O.C. screw fastened to bottom flange of JoistRite steel joist with #10-16 x $\frac{1}{2}$ " corrosion resistant self-drilling screws through predrilled holes.
7. Thermafiber insulation 4 lbs. PCF density x 4" thick x full width in joist cavity.

Terms and Conditions: The above-described floor assembly using JoistRite in accordance with the above is accepted as having the hourly fire resistance listed for floor and ceiling assemblies for Class I and Class II construction provided the following conditions are complied with:

1. Structural requirements shall comply with Article 10, Reference Standard RS 10-3 and other applicable provisions of the New York City Building Code.
2. Minimum bearing on supports as specified in VTEC # 100-2348 must be provided. The acceptance of this assembly is limited to fire resistance only. Structural and other requirements shall be in compliance with pertinent Building Code provisions and above-mentioned limitations.
3. All shipments and deliveries of such materials shall be accompanied by a certificate or label certifying that the materials shipped or delivered are equivalent to those tested and acceptable for use, as provided for in Section 27-131 of the New York City Building Code.

Final Acceptance May 8, 2007

Examined By Sian Derfudor