

**CITY OF NEW YORK  
DEPARTMENT OF BUILDINGS**

Pursuant to Administrative Code Section 27-131, the following equipment or material has been found acceptable for use in accordance with the Report of Materials and Equipment Acceptance (MEA) Division.

Satish K. Babbar, R.A., Acting Commissioner

**MEA 248-00-M  
Report of Material and Equipment Acceptance Division**

Manufacturer – Grace Construction Products, 1330 Industry Road, Hartfield, Pennsylvania 19440.

Trade Name – Flamesafe®.

Product - Fill, void or cavity material for fire protection.

Pertinent Code Section(s) -27-345.

Prescribed Test(s) - UL 1479 (ASTM E814).

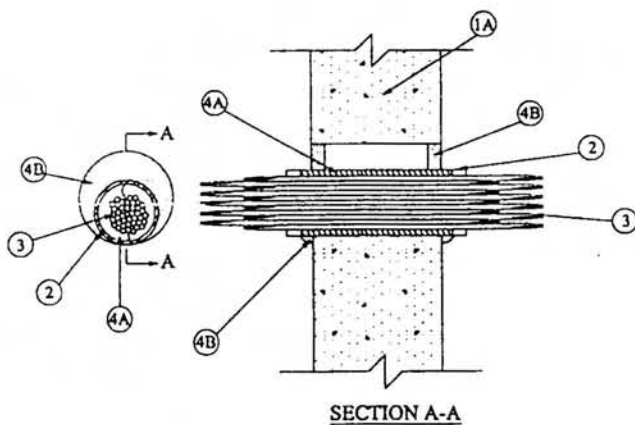
Laboratories - Underwriters Laboratories Inc.

Test Report(s) - UL File R11636, Project 99NK9980 dated August 12, 1999 and February 9, 2000.

Description – The pillows containing a proprietary fill designed to intumesce when exposed to flames. Commonly used for concrete floors, wall and fire rated gypsum wallboard assemblies which require unlimited re-entry. The pillows are durable and can be re-used as many times as necessary. The pillows are designed to be used in the following UL Design Nos. W-J-3038, W-L-3118, W-J-4025 and W-L-4030.

SYSTEM NO. W-J-3038

F RATING - 2 HR  
T RATING - 1/2 HR



SYSTEM NO. W-L-3118

F RATINGS - 1 AND 2 HR (SEE ITEM 1)  
T RATINGS - 0 AND 1/2 HR (SEE ITEM 1)

