



NYC Department of Buildings  
280 Broadway, New York, NY 10007  
Patricia Lancaster, FAIA, Commissioner  
(212) 566-5000, TTY: (212) 566-4769

## Report of Materials and Equipment Acceptance Division

Pursuant to Administrative Code Section 27-131, the following equipment or material has been found acceptable for use subject to the terms and conditions contained herein.

### MEA 242-92-S Vol.7

**Manufacturer:** A/D FIRE PROTECTION SYSTEMS

**Trade Name(s):** A/D FIREFILM<sup>®</sup> III and A/D COLORCOAT<sup>®</sup>

**Product:** Thin-film Intumescent sprayed fire resistive system for protection of column assemblies.

**Pertinent Code Section(s):** 27-323, 27-324, 27-133

**Prescribed Test(s):** RS 5-2 (ASTM E119)

**Laboratory:** Underwriters Laboratories Inc.

**Test Report(s):** January 31, 2006, CR1698, R20543 (ULC Designs Z626, Z627, Z628, Z629 and Z630; UL Designs X669, 670, X671, X672 and X673), July 14, 1999, CR1698, 29166-A, January 12, 1998, CR1698, dated August 7, 1997 and June 12, 2000, March 29, 2001, R20543, 00NK49658 (ULI Designs X629, X641, X642, X643 and X645) and November 10, 2003, R20543, 03CA14402 (modifies ULC Design Z611 and ULI Design X642).

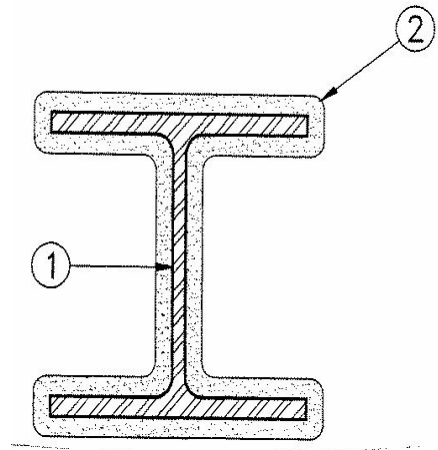
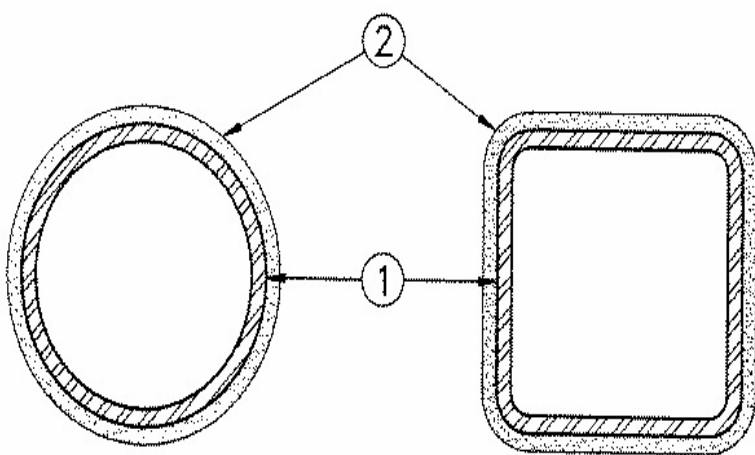
**Description** – Column protection assemblies, as per Fire Resistive Designs listed below utilizing A/D FIREFILM III Intumescent fire protection material, applied to the required thicknesses following the manufacturer's instructions, for the fire resistance ratings of 3/4, 1, 1-1/2, 2 or 3 hours and in accordance with Underwriter's Laboratories of Canada and Underwriters Laboratories, Inc. Design Numbers listed below:

ULC Column Design Numbers:

- Z608 for Fire Resistance Ratings of 3 hours.
- Z610 for Fire Resistance Ratings of 3/4, 1, 1-1/2 and 2 hours.
- Z611 for Fire Resistance Ratings of 3/4, 1, 1-1/2 and 2 hours.
- Z612 for Fire Resistance Ratings of 1-1/2 and 2 hours.
- Z617 for Fire Resistance Ratings of 2 hours.
- Z626 for Fire Resistance Ratings of 3/4 and 1 hours.
- Z627 for Fire Resistance Ratings of 3 hours.
- Z628 for Fire Resistance Ratings of 1-1/2 and 2 hours.
- Z629 for Fire Resistance Ratings of 3/4, 1, 1-1/2, 2 and 3 hours.
- Z630 for Fire Resistance Ratings of 3/4 and 1 hours.

ULI Column Design Numbers:

- X639 for Fire Resistance Ratings of 3 hours.
- X641 for Fire Resistance Ratings of 3/4, 1, 1-1/2 and 2 hours.
- X642 for Fire Resistance Ratings of 3/4, 1, 1-1/2 and 2 hours.
- X643 for Fire Resistance Ratings of 1-1/2 and 2 hours.
- X645 for Fire Resistance Ratings of 2 hours.
- X669 for Fire Resistance Ratings of 3/4 and 1 hours.
- X670 for Fire Resistance Ratings of 3 hours.
- X671 for Fire Resistance Ratings of 1-1/2 and 2 hours.
- X672 for Fire Resistance Ratings of 3/4, 1, 1-1/2, 2 and 3 hours.
- X673 for Fire Resistance Ratings of 3/4 and 1 hours.



**Terms and Conditions:** That the above described column protection assemblies be accepted for Class I and Class II Buildings only, as having the fire resistance ratings given above, when members framing into the columns have at least the same fire resistance rating, provided the following requirements for application and protection of the Intumescent coating fireproofing be adhered to:

1. Where used in Class I Buildings, subject material shall be used for fireproofing of selected structural members and be limited to 20% of all structural members on any one floor and a maximum of 20% of the gross area of all structural members in the entire building.
2. Where used for protection of column(s) in fireproofing buildings each such column(s) shall bear an identifying tag installed at 7' above finished floor. Subject tag shall be of metal construction mechanically attached to such column(s) and shall state the following: this column has been fireproofed with MEA approved A/D FIREFILM III finish and such finish shall not be removed nor any subsequent coating shall be applied other than A/D FIREFILM III.
3. Surfaces to receive Intumescent coating shall be cleaned off prior to the application of the fireproofing.
4. The finished fireproofing shall be applied to a uniform thickness, which shall not be less than the minimum thickness specified.
5. The general contractor and the owner shall provide qualified personnel to supervise the application of the sprayed fire resistive material. They shall certify to the Department of Buildings that the finished fireproofing of the completed building is in full compliance with the acceptance requirements and drawings approved by the Department of Buildings.
6. The installation of the sprayed fire resistive materials shall be subject to the controlled inspection requirements of Section 27-132.

7. The use of this material shall be subject to all pertinent regulations of the Department of Air Resources and the Department of Health.
8. All installation shall comply with 118-68 GR, the New York City Building Code, the Fire Department Directives, the manufacturer's instructions and laboratory recommendation.
9. All shipments and deliveries of the materials comprising this assembly shall be accompanied by a certificate or label certifying that the materials shipped or delivered are equivalent to those tested and acceptable for use, as provided for in Section 27-131 of the Building Code.

Final Acceptance June 30, 2006

Examined By Siun Derk Rudam