

CITY OF NEW YORK
DEPARTMENT OF BUILDINGS

Pursuant to Administrative Code Section 27-131, the following equipment or material has been found acceptable for use in accordance with the Report of Materials and Equipment Acceptance (MEA) Division.

Richard C. Visconti, R.A., Acting Commissioner
MEA 19-00-M

Report of Material and Equipment Acceptance Division

Manufacturer – Norgrips A/S Postboks 655, N-3003, Drammen, Norway.

Trade Name(s) – Norfire X.

Product – 5/8" thick gypsum wallboard to be used in fire rated wall and floor assemblies.

Pertinent Code Section(s) - 27-323.

Prescribed Test(s) - RS 5-2 (ASTM E119).

Laboratories – Underwriters Laboratories Inc. and SGS U.S. Testing Company, Inc.

Test Report(s) – UL letter R19086, 99NK15805, dated June 10, 1999 and SGS U.S. Testing Company, Inc. report number 133863, dated December 20, 1999 and letter dated February 10, 2000.

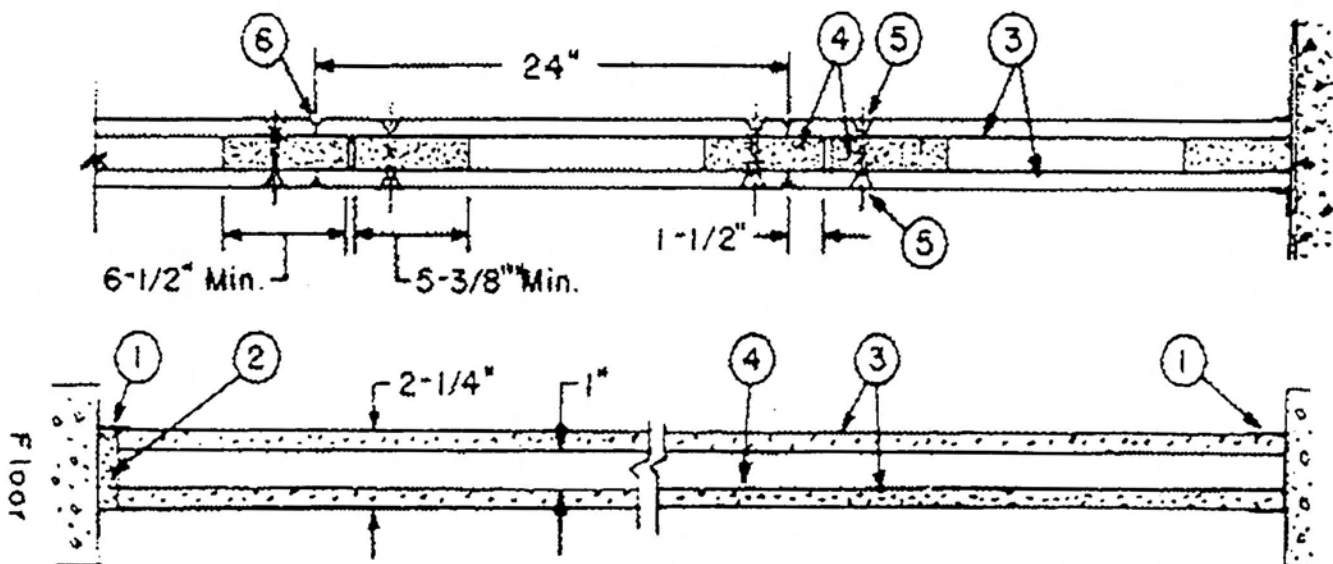
Description – Fire rated gypsum wallboard - 5/8" thick Norfire X intended to build wall and floor assemblies for use in U.L. design. Design numbers are L501, V419, U505, U512, U355, U411, U504, U301, U302, U305, U354.

Note: Design Nos. U354, U355 and U512 (if constructed with wood) are combustion construction.

Design No. U513

December 07, 1999

Nonbearing Wall Rating — 1 HR.



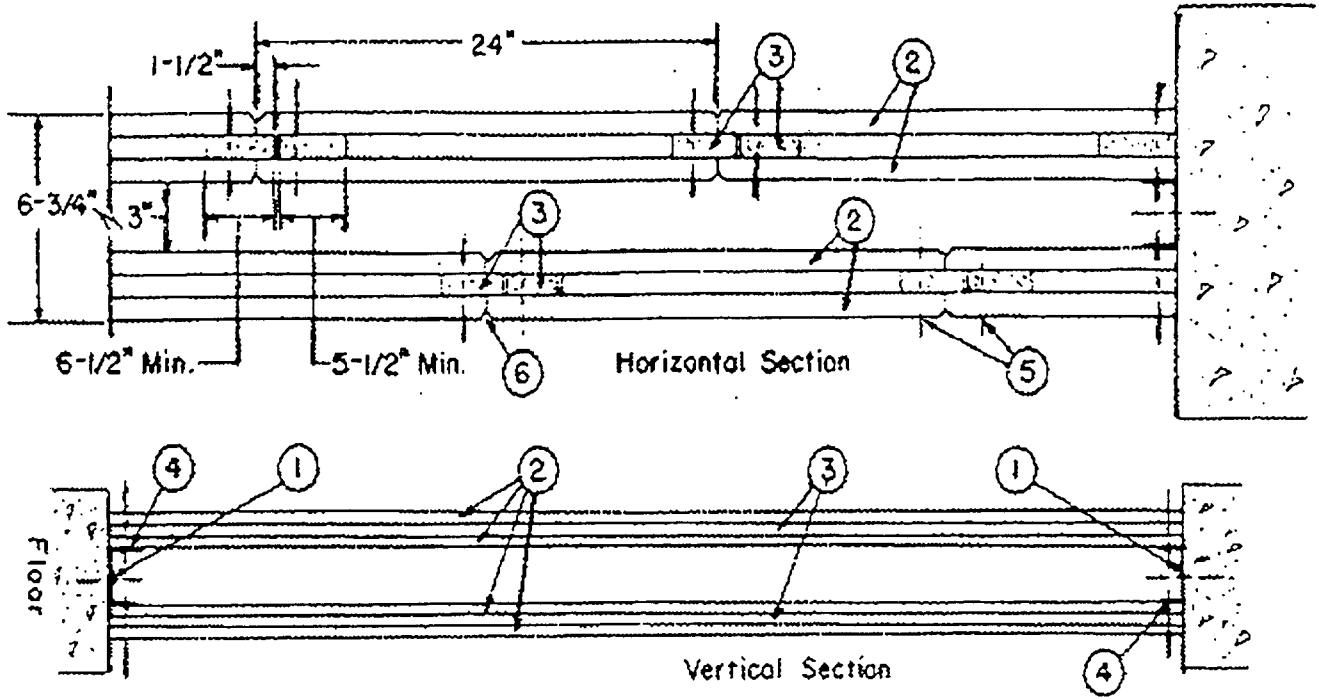
MEA 19-00-M

1 of 7 pages

Design No. U506

August 26, 1999

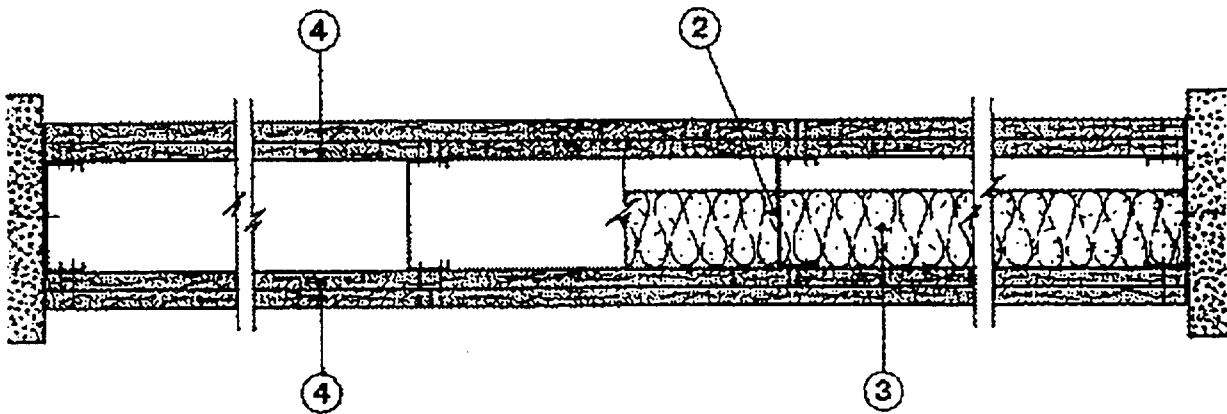
Nonbearing Wall Rating — 2 HR.



Design No. V419

December 09, 1999

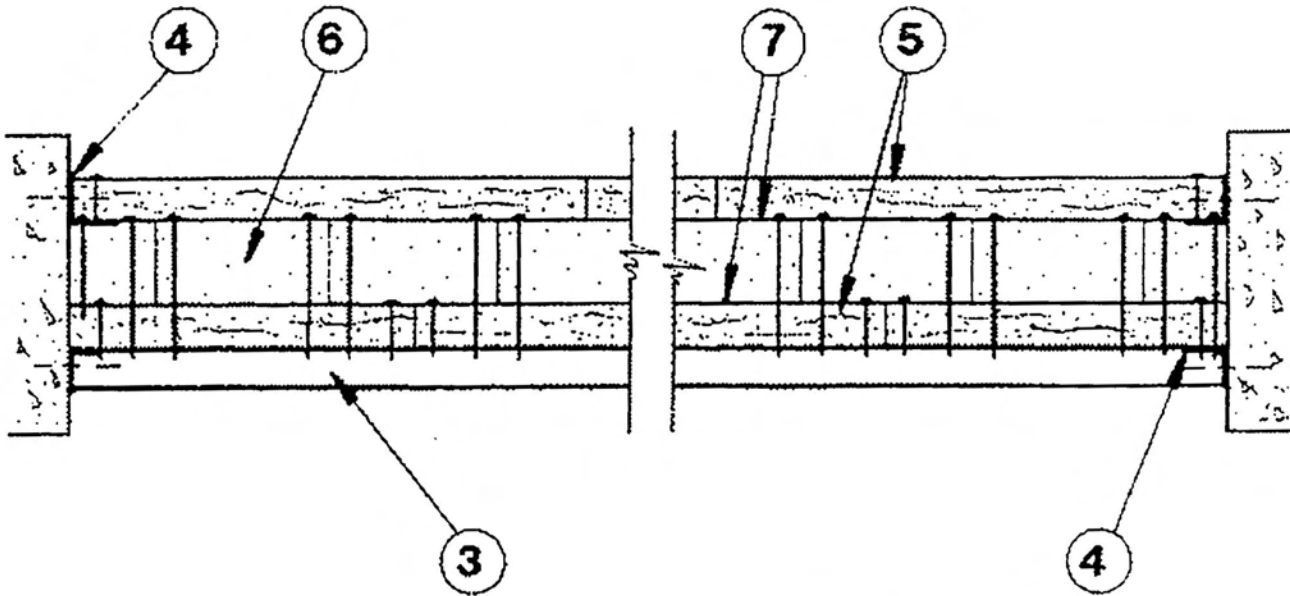
Nonbearing Wall Rating — 2 Hr



Design No. U505

December 08, 1999

Nonbearing Wall Rating — 2 HR.

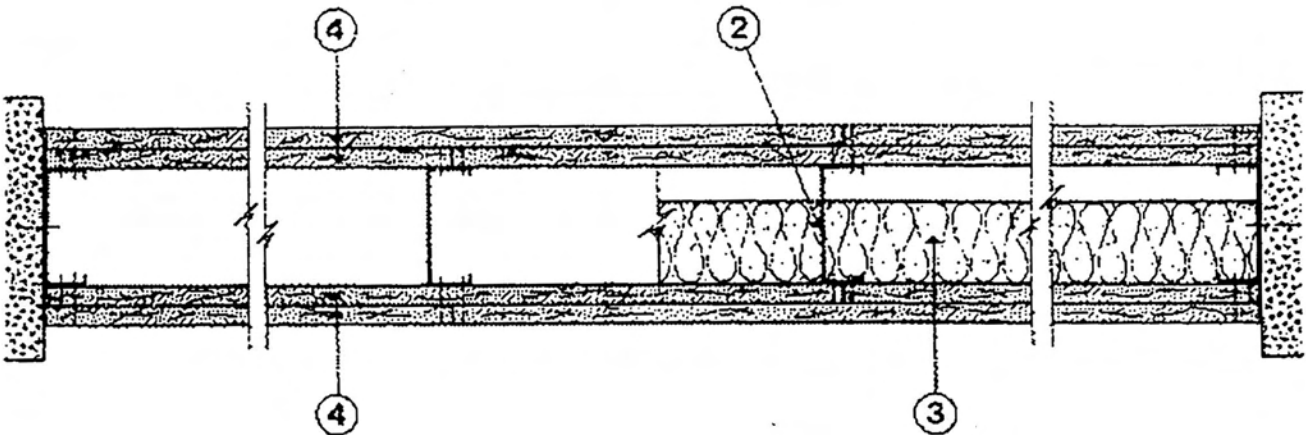


HORIZONTAL SECTION

Design No. U411

December 06, 1999

Nonbearing Wall Rating — 2 HR.

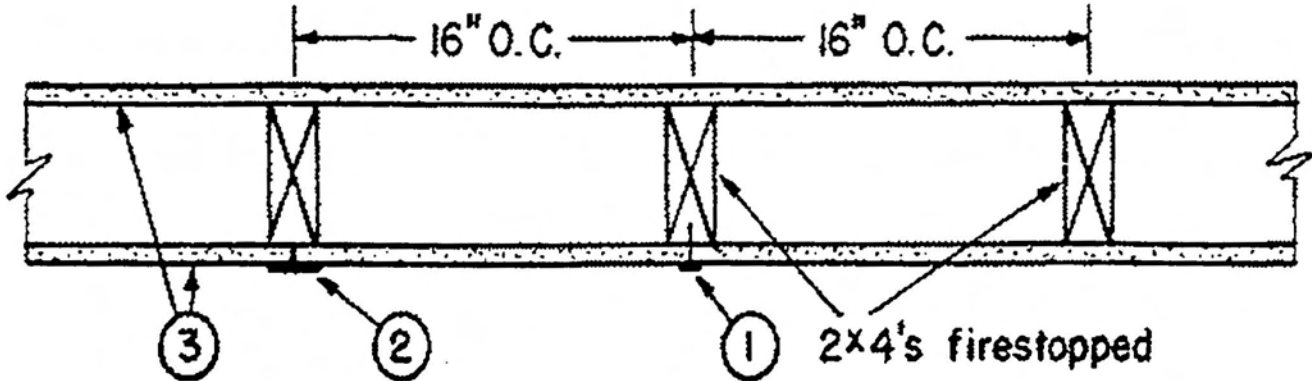


Design No. U305

December 16, 1999

Bearing Wall Rating — 1 HR.

Finish Rating — See Items 3 and 6.

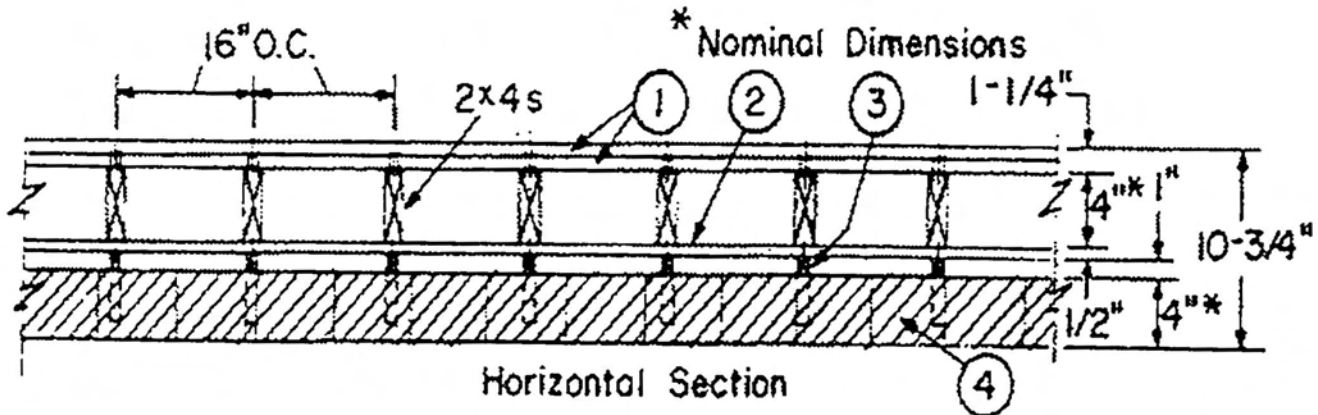


Design No. U302

December 08, 1999

Bearing Wall Rating — 2 HR.

Finish Rating — 59 Min.



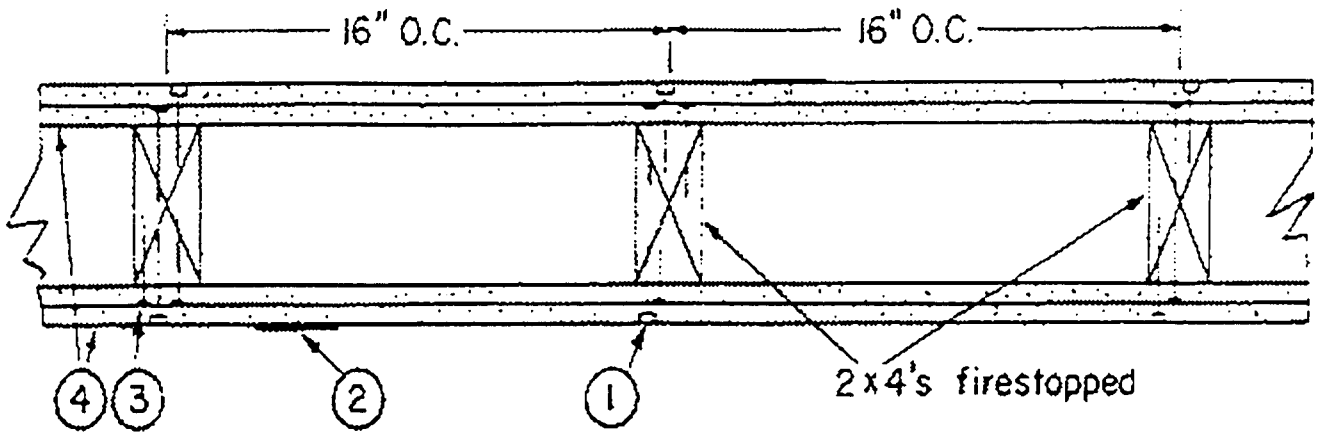
Top and Bottom of Wall Effectively Firestopped

Design No. U301

December 06, 1999

Bearing Wall Rating — 2 HR.

Finish Rating — 66 Min.

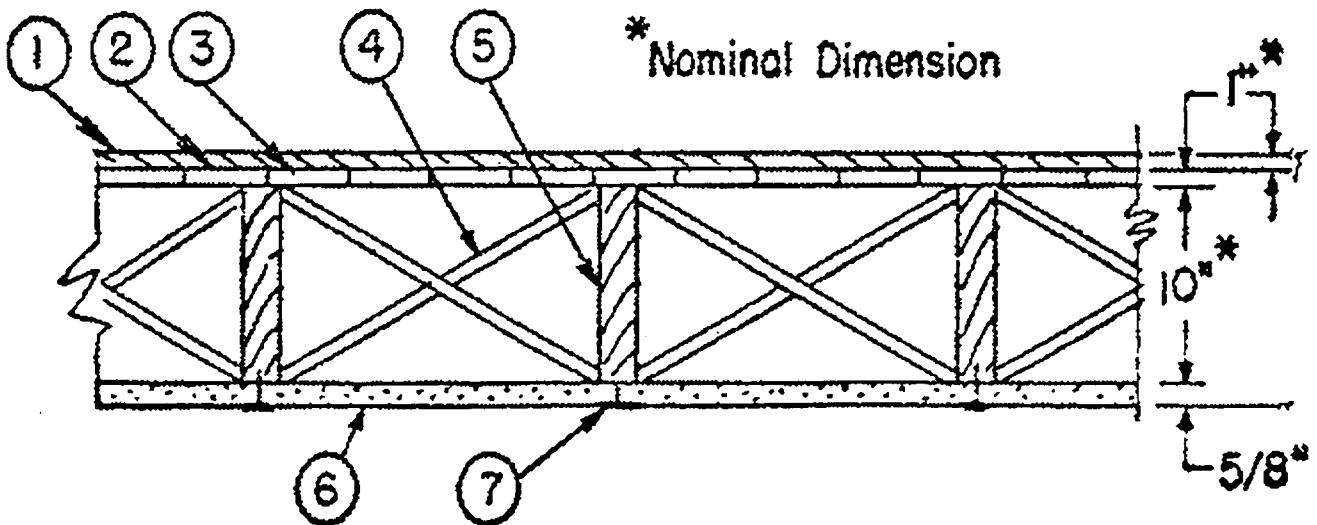


Design No. L501

December 08, 1999

Unrestrained Assembly Rating — 1 Hr.

Finish Rating — 30 Min.



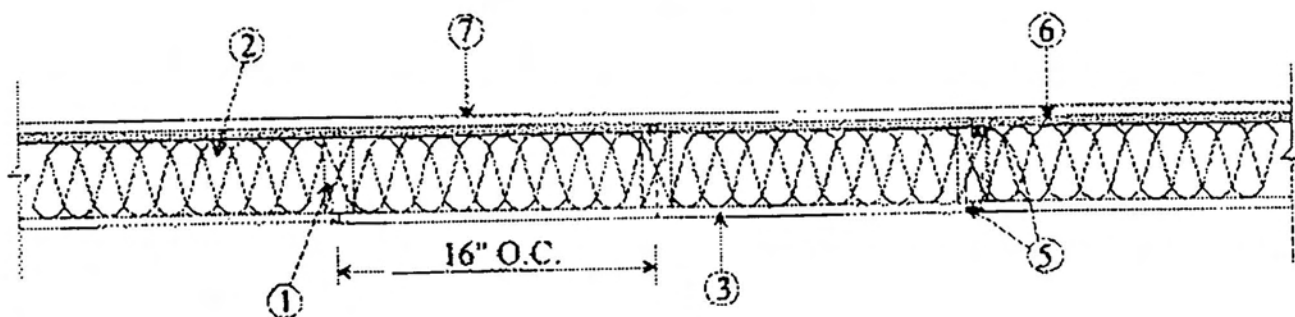
Design No. U355

December 06, 1999

(Exposed to Fire On Interior Face Only)

Bearing Wall Rating — 1 Hr

Finish Rating — 23 Min



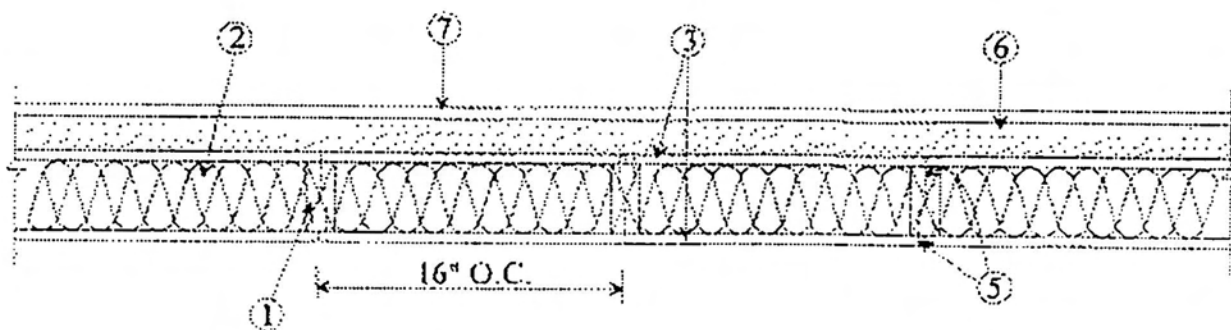
Design No. U354

December 06, 1999

(Exposed to Fire on Interior Face Only)

Bearing Wall Rating — 1 Hr

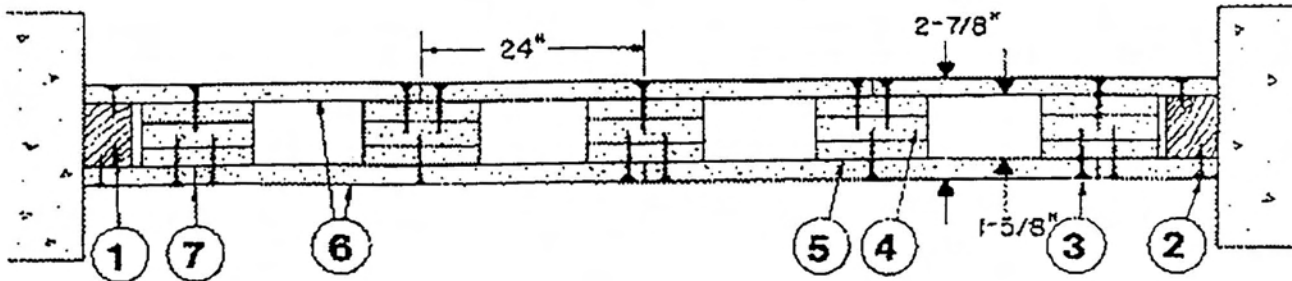
Finish Rating — 24 Min



Design No. U512

December 08, 1999

Nonbearing Wall Rating — 1 HR.



HORIZONTAL SECTION

Recommendation - That the above described load and nonload bearing wall assembly be accepted as having fire resistance classification reference above. The assemblies may be used only in applications as listed and permitted in Table 3-4 of the New York City Building Code. This accepted does not include structural adequacy of wall design which must be checked for particular structures for compliance with the Building Code at the time of plan examination by department engineers. All shipments and deliveries of such materials shall be accompanied by a certificate or label, certifying that the materials shipped or delivered is equivalent to those tested and accepted for use, as provided for in Section 27-131 of the Building Code.

Final Acceptance FEB 23 2000

Examined By S Derkhdam