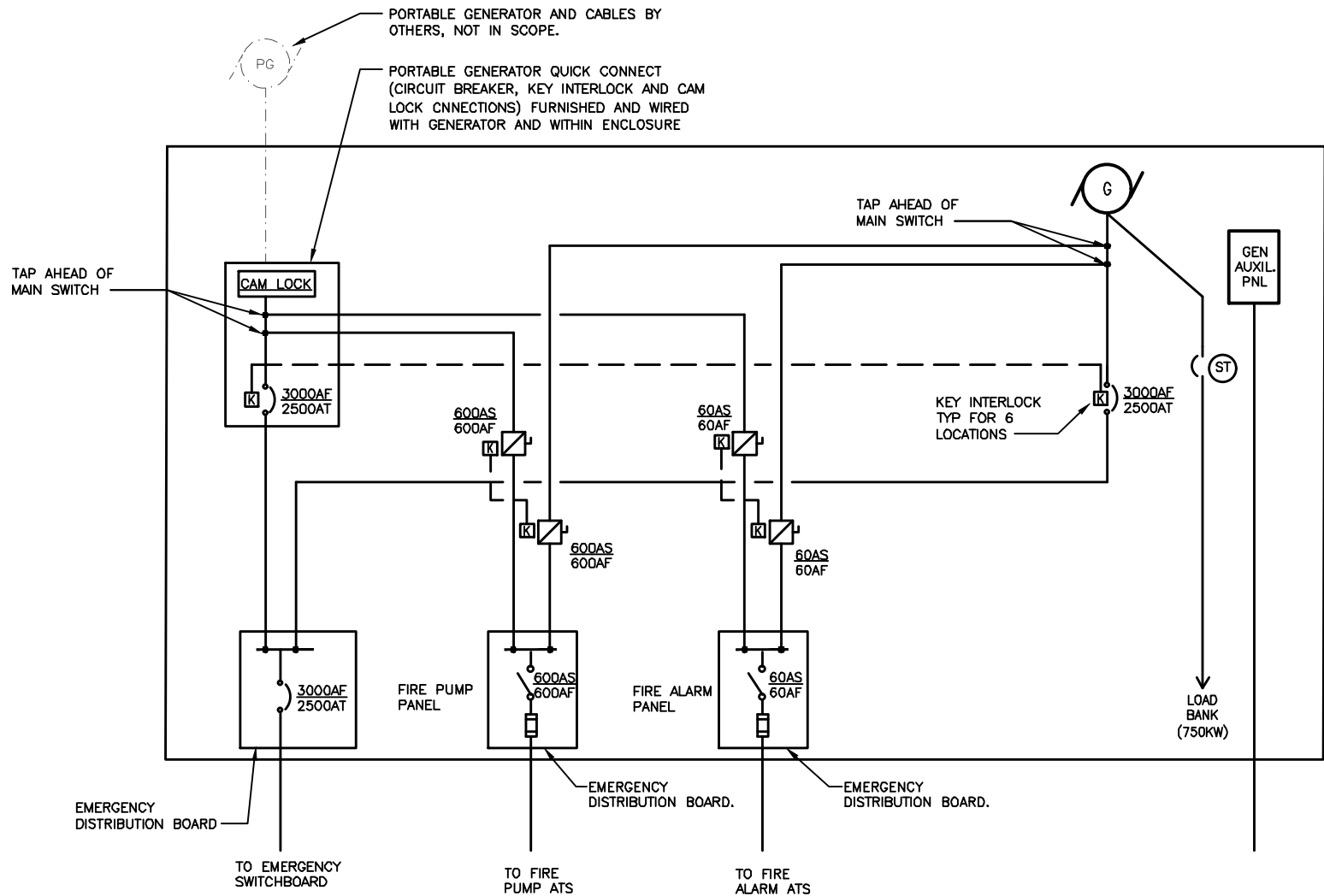


**ELECTRICAL SKETCH SKE-1**



1500 KW DIESEL GENERATOR 277/480V, 3Ø, 4W + GND, IN SOUND ATTENUATE WALK IN TYPE ENCLOSURE, 2000 GALLON BELLY TANK. ALL INTERIOR DEVICES, CB'S, SWITCHBOARD, CAMLOCK, HEATERS, LIGHTING, RECEPTACLES, ETC. SHALL BE PRE-WIRED IN THE FACTORY. FURNISH AND INSTALL WIRING FROM GENERATOR CONTROL PANEL TO PORTABLE GENERATOR CONTROL PANEL FOR ALL ATS REQUIREMENTS